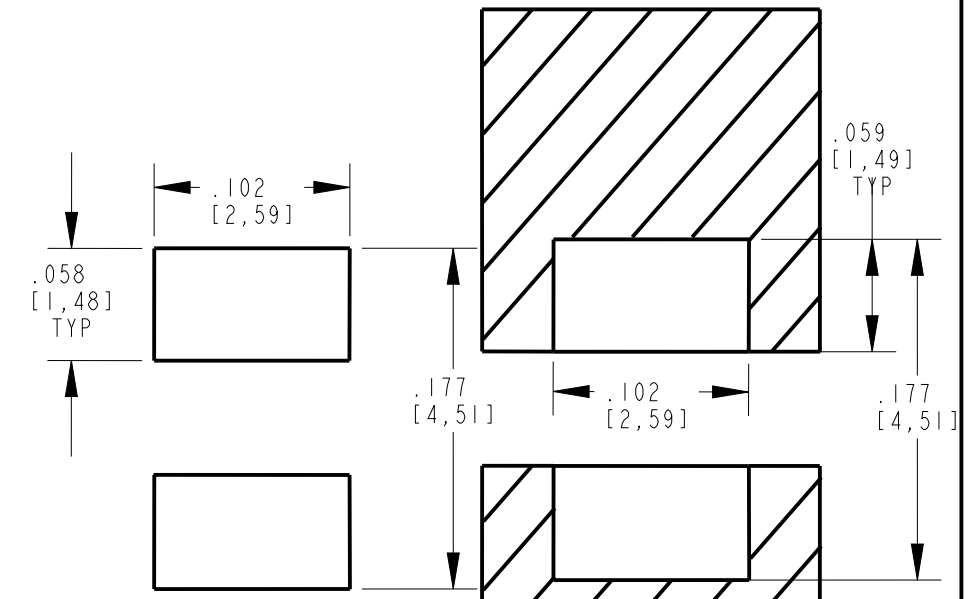
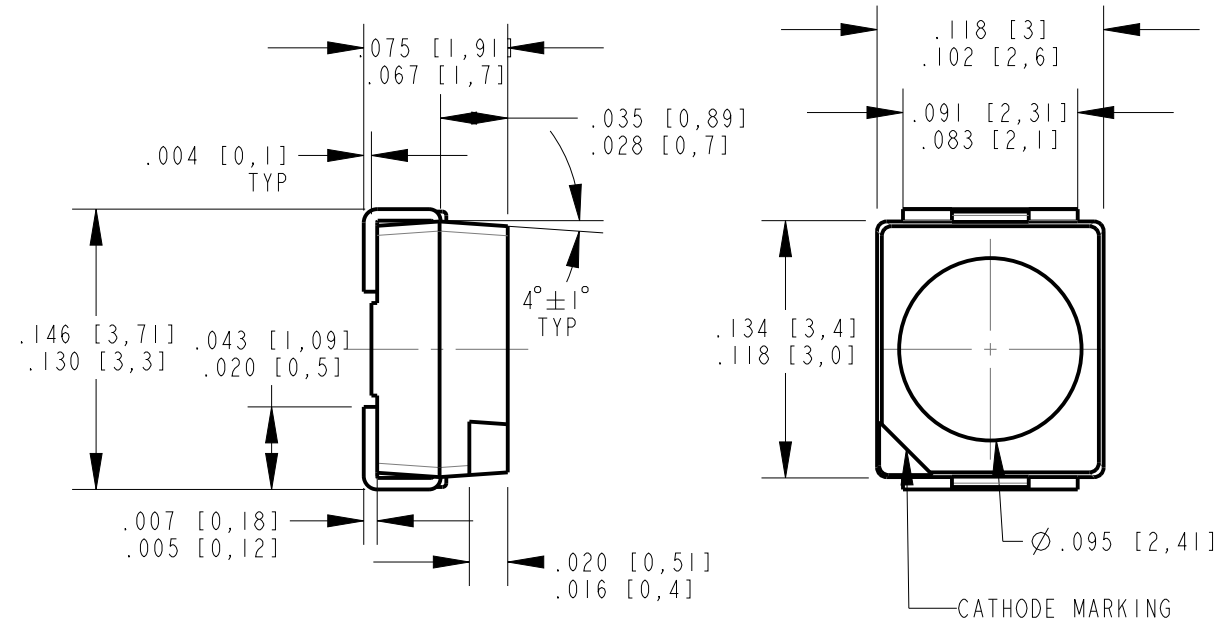


| PART NUMBER | LED COLOR |
|---------------|-----------|
| 597-3008-202F | RED |
| 597-3008-207F | RED |
| 597-3208-202F | ORANGE |
| 597-3208-207F | ORANGE |
| 597-3308-202F | GREEN |
| 597-3308-207F | GREEN |
| 597-3408-202F | YELLOW |
| 597-3408-207F | YELLOW |

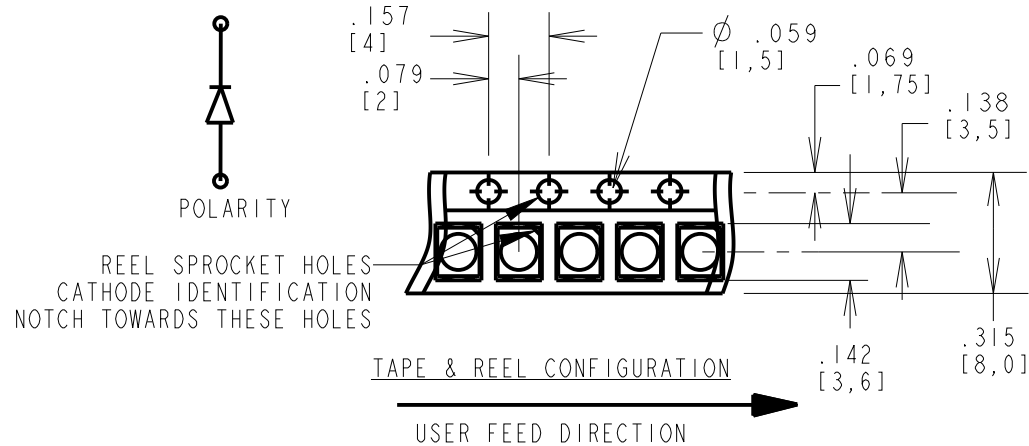
| REV | ECN NO | REVISIONS | DRN | CKD | APP | DATE |
|-----|--------|-------------------------------|-----|-----|-----|----------|
| A | — | NEW RELEASE | KLJ | — | — | 11-12-07 |
| B | — | UPDATED WRONG P/N'S IN NOTE 5 | BP | — | NO | 3-31-17 |



**ATTENTION
OBSERVE PRECAUTIONS FOR
HANDLING ELECTROSTATIC
SENSITIVE DEVICES**



| ABSOLUTE MAXIMUM RATING AT 25°C AMBIENT | | UNITS |
|---|-------------|-------|
| OPERATING TEMPERATURE | -40 TO +100 | °C |
| STORAGE TEMPERATURE | -40 TO +100 | °C |
| JUNCTION TEMPERATURE | +125 | °C |
| FORWARD CURRENT | 20 | mA |
| SURGE CURRENT | 100 | mA |
| REVERSE VOLTAGE | 12 | V |
| POWER CONSUMPTION | 50 | mW |



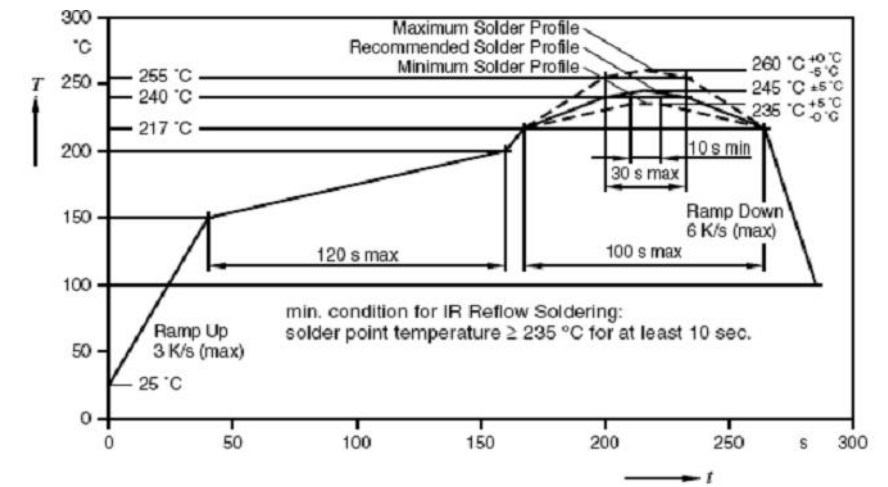
RoHS Compliant 597-3X08-2XXF Surface Mount LED

Part Numbers with the "F" suffix ending are RoHS Compliant.
Example: 597-3308-207F
Reel and bag packaging are marked with "RoHS Compliant" label or equivalent markings. These parts can be used with RoHS reflow profile. Parts can be wave soldered, dip soldered or hand soldered using typical lead-free soldering process with max 260°C temp. for 5 sec.

- NOTES:
- COLORLESS CLEAR WINDOW.
 - LED CHIP: InGaAlP
 - LED LEAD FINISH: PURE MATT TIN (Sn) 8.0±2.0 µm WITH NICKEL (Ni) UNDER LAYER OF COPPER (Cu).
 - 2000 PARTS/REEL, 180mm DIA. REEL WITH 12mm WIDTH CARRIER, REEL, AND PACKAGING HAS A LABEL WITH DIALIGHT LOGO, DIALIGHT P/N, QTY PER REEL, DATE CODE, LOT NUMBER, INTENSITY BIN CODE, COLOR BIN, AND COUNTRY OF ORIGIN.
 - DIALIGHT PART NUMBERS:
597-3008-207F, FULL REEL 7" DIAM.; 597-3008-202F, SAMPLE STRIP 20 PCS/STRIP;
597-3208-207F, FULL REEL 7" DIAM.; 597-3208-202F, SAMPLE STRIP 20 PCS/STRIP;
597-3308-207F, FULL REEL 7" DIAM.; 597-3308-202F, SAMPLE STRIP 20 PCS/STRIP;
597-3408-207F, FULL REEL 7" DIAM.; 597-3408-202F, SAMPLE STRIP 20 PCS/STRIP.
 - ESD WITHSTAND VOLTAGE: UP TO 2kV ACCORDING TO JESD22-A114-B
 - "ATTENTION" OBSERVE PRECAUTIONS FOR HANDLING ELECTROSTATIC SENSITIVE DEVICES. PACKAGE THIS PRODUCTION IN ANTI-STATIC BAG WITH ESD PRECAUTION LABEL P/N 9100-117-0505-00 ON EACH BAG. FOR EYE SAFETY, DO NOT STARE DIRECTLY INTO THE LIGHT BEAM OF THIS LED DEVICE AT CLOSE RANGE.
 - MOISTURE SENSITIVITY LEVEL 2.
 - TAPE AND REEL LEDS MAY REQUIRE RE-TAPING AFTER TWELVE MONTHS.

| OPERATING CHARACTERISTICS AT 25°C AMBIENT | | | | | | |
|---|--------|------|------|------|--------|-----------------------|
| CHARACTERISTICS | COLOR | MIN | TYP | MAX | UNITS | TEST CONDITIONS |
| LUMINOUS INTENSITY | RED | 7.1 | 12.6 | 18.0 | mcd | I _F = 2 mA |
| | GREEN | 3.55 | 6.28 | 9.0 | | |
| | YELLOW | 9.0 | 15.7 | 22.4 | | |
| | ORANGE | 11.2 | 19.6 | 28.0 | | |
| | RED | — | 65 | — | | |
| | GREEN | — | 31 | — | | |
| | YELLOW | — | 80 | — | | |
| FORWARD VOLTAGE | RED | 1.7 | 1.8 | 2.2 | V | I _F = 2 mA |
| | GREEN | 1.7 | 1.8 | 2.2 | | |
| | YELLOW | 1.7 | 1.8 | 2.2 | | |
| | ORANGE | 1.7 | 1.8 | 2.2 | | |
| REVERSE CURRENT | RED | — | 0.01 | 10 | µA | V _R = 12 V |
| | GREEN | — | 0.01 | 10 | | |
| | YELLOW | — | 0.01 | 10 | | |
| | ORANGE | — | 0.01 | 10 | | |
| VIEWING ANGLE | | | 120 | | Degree | |
| DOMINANT WAVELENGTH | RED | 624 | 630 | 636 | nm | I _F = 2 mA |
| | GREEN | 566 | 570 | 575 | | |
| | YELLOW | 580 | 587 | 595 | | |
| | ORANGE | 600 | 606 | 609 | | |
| PEAK WAVELENGTH | RED | — | 643 | — | nm | I _F = 2 mA |
| | GREEN | — | 572 | — | | |
| | YELLOW | — | 591 | — | | |
| | ORANGE | — | 610 | — | | |

Cu AREA >16mm²
CROSS-HATCHED AREA DENOTES
SOLDER RESISTANT MASK²
RECOMMENDED SOLDER PAD LAYOUT
FOR IMPROVED HEAT DISSIPATION



RECOMMENDED REFLOW SOLDERING PROFILE

| | | |
|---|--|---------------|
| THIS DRAWING AND THE CONTENTS HEREIN ARE CONFIDENTIAL AND THE SOLE PROPERTY OF DIALIGHT CORP. REPRODUCTION OF THIS DRAWING OR CONSTRUCTION OF ANY PARTS WITHIN THIS DRAWING ARE FORBIDDEN WITHOUT THE WRITTEN CONSENT OF DIALIGHT CORP. | | |
| SCALE: 10.000 | DRAWING NUMBER | REV |
| ALL DIM'S: INCH (mm) | C-17562 | B |
| TOLERANCES: UNLESS OTHERWISE SPECIFIED | TITLE PLCC-2 LOW CURRENT 2mA SMT LED RoHS COMPLIANT | |
| AS PER MFR DATA SHEET | MATERIAL | |
| FINISH | Dialight 1501 ROUTE 34 SOUTH FARMINGDALE, NJ 07727 (732) 919-3119 www.dialight.com | |
| FSCM 83330 | SHEET 1 OF 1 | FAMILY TABLE: |

Mouser Electronics

Authorized Distributor

Click to View Pricing, Inventory, Delivery & Lifecycle Information:

Dialight:

[597-3008-207F](#) [597-3208-207F](#) [597-3308-207F](#) [597-3408-207F](#) [597-3208-202F](#) [597-3308-202F](#) [597-3008-202F](#)
[597-3408-202F](#)