

THIS DRAWING IS UNPUBLISHED.

RELEASED FOR PUBLICATION

ALL RIGHTS RESERVED.

© COPYRIGHT

LOC HB DIST

REVISIONS

P	LTR	DESCRIPTION	DATE	DWN	APVD
B	1	REVISED PER ECO-11-005140	29MAR11	RK	HMR
C		TE LOGO CHANGE; ECO-18-008295	30-MAY-18	TOD	K.T

D

C

B

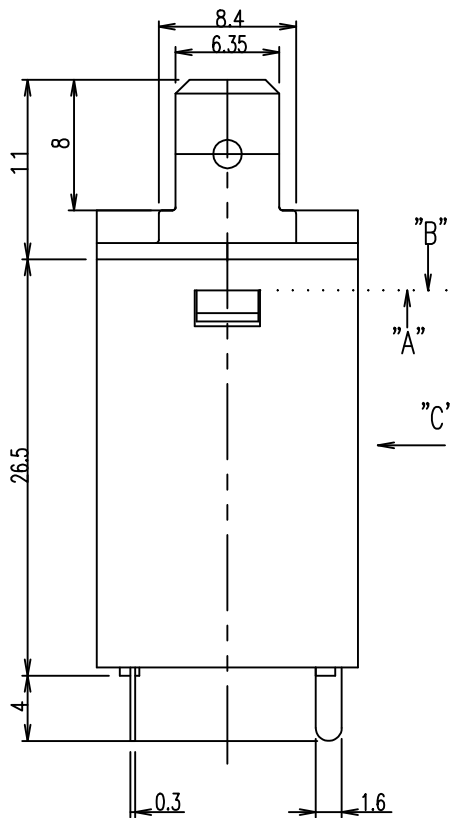
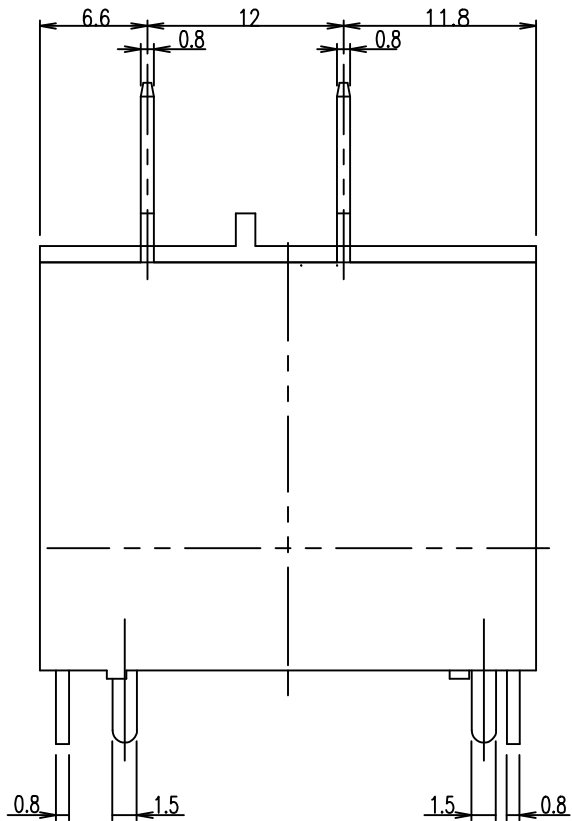
A

D

C

B

A



"B"
"A"
"C"

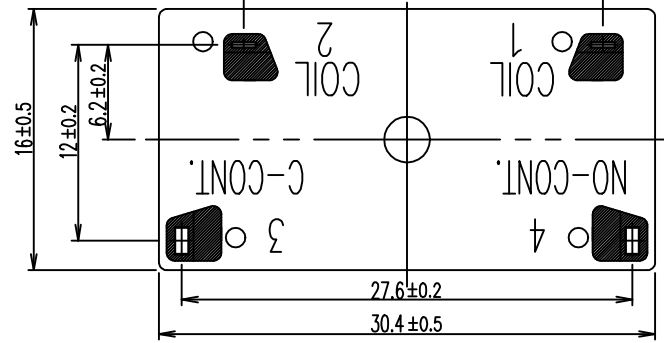
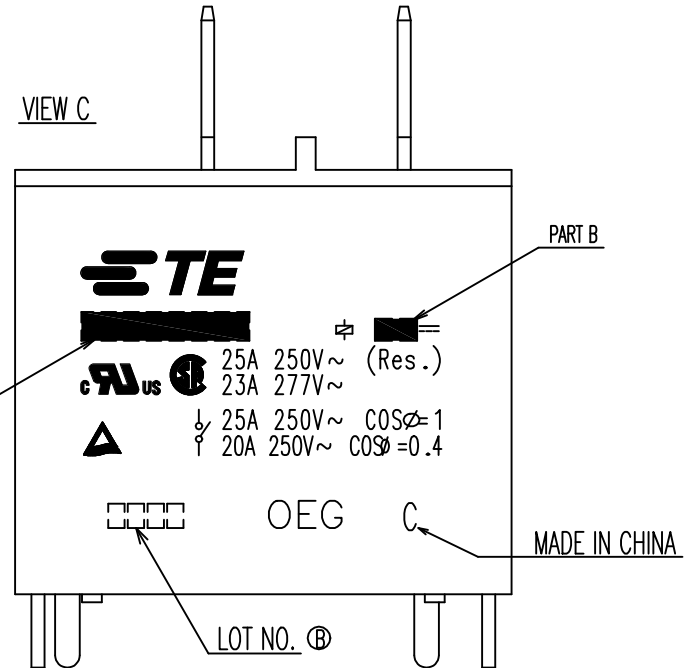


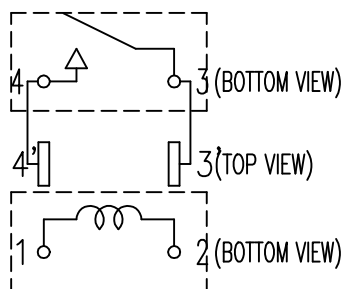
Diagram dimension	Tolerance
0.99mm max.	±0.1mm
1 - 2.99mm	±0.2mm
3mm min.	±0.3mm

Ⓢ NOTE:
LOT NO. SYSTEM AS FOLLOWING:

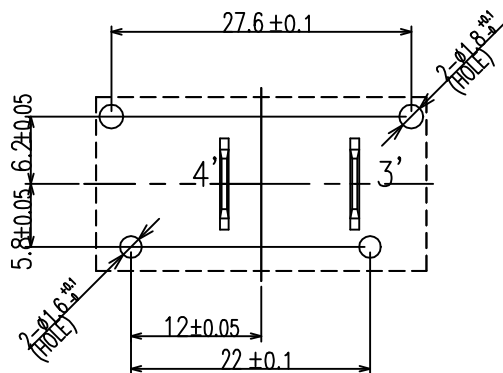
DIMSENSIONS: mm		TOLERANCES UNLESS OTHERWISE SPECIFIED:		DWN	H.SASAKI	TE Connectivity NAME PCF-D2M CUSTOMER DRAWING			
		0 PLC ± 1 PLC ± 2 PLC ± 3 PLC ± 4 PLC ± ANGLES ±		CHK	N.FUNAYAMA				
MATERIAL SEE MATERIAL TABLE		FINISH		APVD	A.NAGAI	SIZE	CAGE CODE	DRAWING NO	RESTRICTED TO
				PRODUCT SPEC	-	A3	00779	5-1440002-4	-
				APPLICATION SPEC	-	C=		5-1440002-4	-
				WEIGHT	-	SCALE 3:1		SHEET 1 OF 2	REV C
				CUSTOMER DRAWING					

P	LTR	DESCRIPTION	ECN	DATE	DWN	APVD

CONNECTION DIAGRAM



DRILLING DIAGRAM (BOTTOM VIEW)



5-1440002-9	PCF-148D2M,000	48V	PCF-148D2M	f
5-1440002-8	PCF-124D2M,000	24V	PCF-124D2M	e
3-1419153-4	PCF-112D2M,000	12V	PCF-112D2M	d
5-1440002-6	PCF-109D2M,000	9V	PCF-109D2M	c
5-1440002-5	PCF-106D2M,000	6V	PCF-106D2M	b
5-1440002-4	PCF-105D2M,000	5V	PCF-105D2M	a
PART NO	DESCRIPTION	PART B	PART A	ITEM

RELAY TYPE

		EPOXY RESIN	SEAL	17
		POLYURETHANE Cu WIRE	MAGNETIC WIRE	16
UL 94V-0		PPS	CARD	15
UL 94V-0		PBT	CASE	14
UL 94V-0		PBT	BASE	13
UL 94V-0		PBT	BOBBIN	12
	SOLDER DIP	Cu ALLOY	COIL TERMINAL R	11
	SOLDER DIP	Cu ALLOY	COIL TERMINAL L	10
		STAINLESS	HINGE SPRING	9
		Ag ALLOY	STATIONARY CONTACT	8
		Ag ALLOY	MOVABLE CONTACT	7
	SOLDER DIP	Cu ALLOY	MOVABLE SPRING	6
	SOLDER DIP	Cu ALLOY	STATIONARY TERMINAL	5
	SOLDER DIP	Cu ALLOY	MOVABLE TERMINAL	4
	Ni PLATED	STEEL	CORE	3
	Ni PLATED	STEEL	ARMATURE	2
	Ni PLATED	STEEL	YOKE	1
INCOMBUSTIBILITY	TREATMENT	MATERIAL	DESCRIPTION	ITEM

DIMENSIONS: mm		TOLERANCES UNLESS OTHERWISE SPECIFIED:		DWN	TE Connectivity		
		0 PLC ±	1 PLC ±	CHK	NAME		
MATERIAL SEE MATERIAL TABLE		2 PLC ±	3 PLC ±	APVD	PCF-D2M CUSTOMER DRAWING		
FINISH		4 PLC ±	ANGLES	PRODUCT SPEC	SIZE	CAGE CODE	DRAWING NO
-		-		APPLICATION SPEC	A3	00779	5-1440002-4
CUSTOMER DRAWING				WEIGHT	RESTRICTED TO		
-				-	SCALE		3:1 SHEET 2 OF 2 REV C