

G9XX, TYPE A SERIES

HAND-HELD ELECTRONIC ENCLOSURE



G900G CLIP

G900B CLIP

PRODUCT INFORMATION

MATERIAL: High-impact ABS Plastic.

FEATURES:

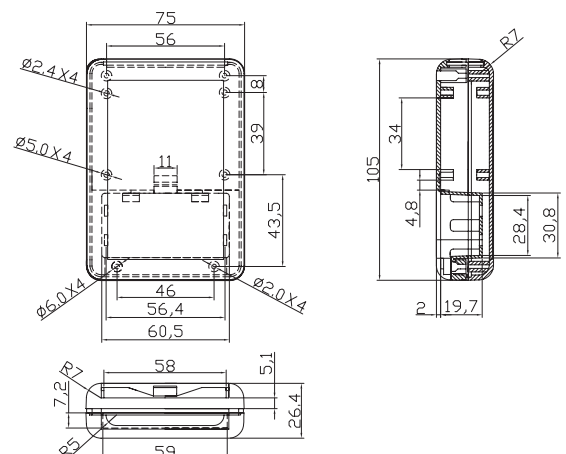
- Grey and black color are available for selection.
- Designed to accept two "AA" battery.
- Grey and black belt clip are available for ordering.
- G0310-AA battery contact kit is available for ordering.

ITEM No.	EXTERNAL DIMENSION(mm)
G909G	105 X 75 X 26.4
G909B	105 X 75 X 26.4
G0310	AA Battery Contact Kit
G900G CLIP	Grey Belt Clip
G900B CLIP	Black Belt Clip

Example



G0310



NEW HAND-HELD ELECTRONIC ENCLOSURE



PRODUCT INFORMATION

MATERIAL: High-impact ABS UL94-HB or UL94-V0 plastic.

FEATURES:

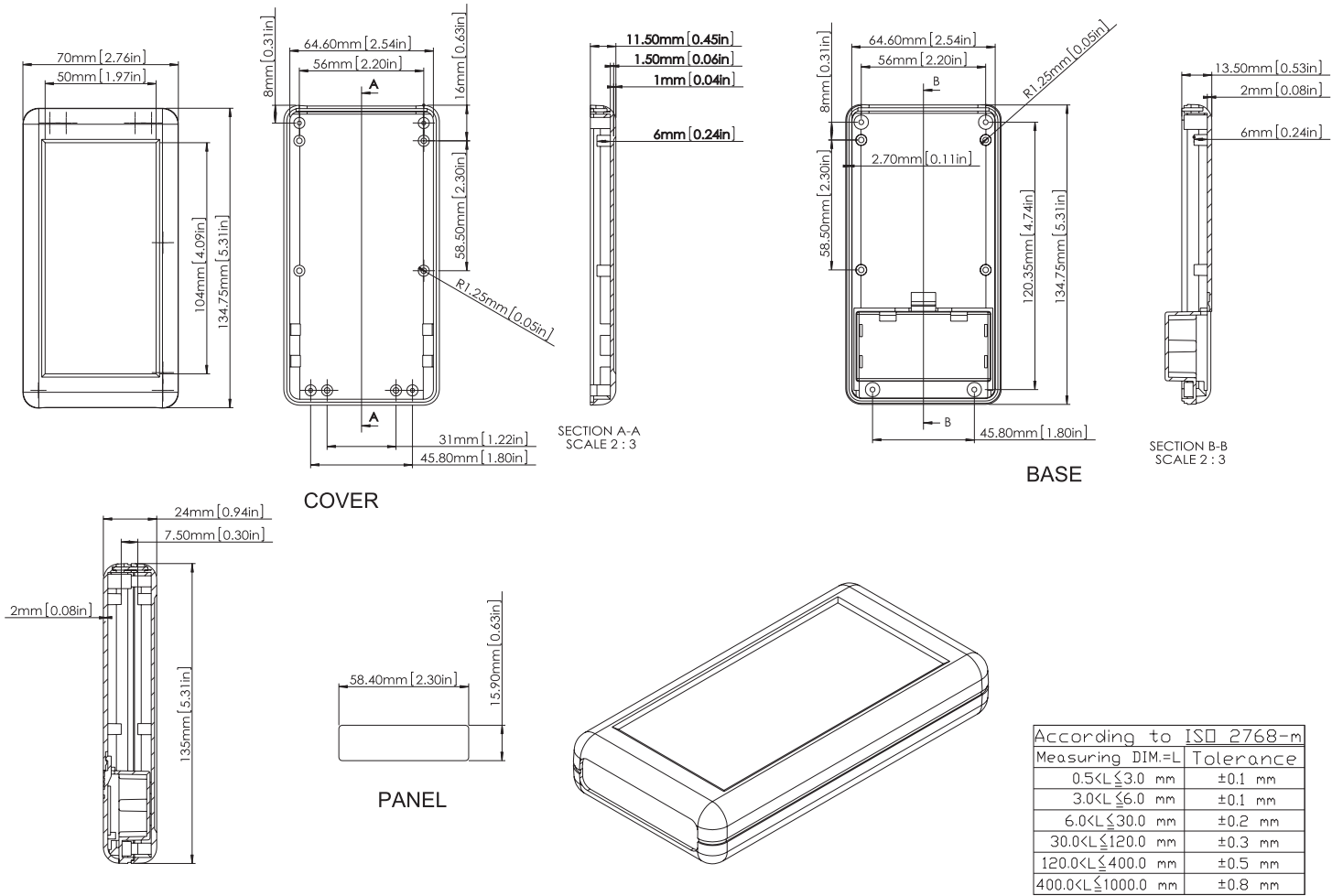
- Grey and black color are available for selection.
- Designed to accept two "AA" battery.
- Grey and black belt clip are available for ordering.
- G0310-AA battery contact kit is available for ordering.

ITEM No.	DESCRIPTION
G939G	High Impact ABS Grey
G939B	High Impact ABS Black
G939GUL	UL94-V0, ABS Grey
G939BUL	UL94-V0, ABS Black
G0310	"AA" Battery Contact Kits
G939TP	Red Transparent Panel



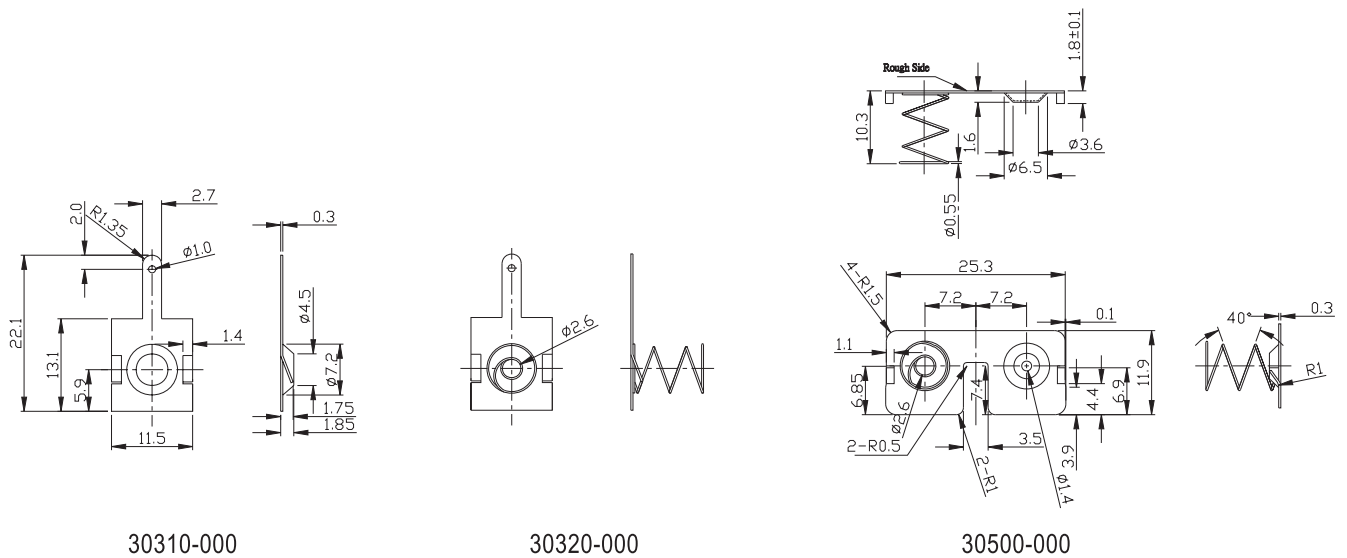
G0310

G939G / G939B



G0310

30310-000(X1)+30320-000(X1)+30500-000(X1)



G9XX, TYPE C SERIES

MEDIUM SIZE HAND-HELD ABS ENCLOSURE



PRODUCT INFORMATION

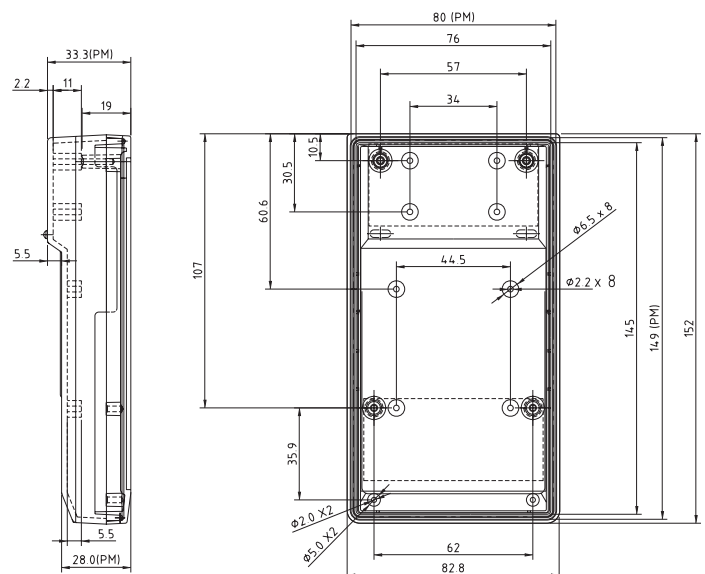
MATERIAL:

- High-impact ABS plastic.
- Available in light grey and black colours.

FEATURES:

- Consumer product.
- Remote control.
- Controller interface.
- Field test kits.
- Personal application.

ITEM No.	EXTERNAL DIMENSION(mm)
G959G	152 X 82.8 X 33.3
G959B	152 X 82.8 X 33.3



MEDIUM SIZE HAND-HELD ABS ENCLOSURE



PRODUCT INFORMATION

MATERIAL: High impact ABS

FEATURES:

- Available with either a solid display area or a cutout.
- The top and bottom parts incorporate a tongue and groove sealing system which accept gasketing.
- The gasket is available as a separate item.
- Available with a battery compartment in the back which accept a 9V 216 type. Or two AA batteries
- A durable and professional moulded tilting bail is available which also can be used to wall mount the enclosures.
- Available in black and light grey as standard colour. Customer colour is available on indent.
- Case is held together by 4 PCS brass inserts in the LID and M-3 screws supplied.
- Recessed display area: 115.5 x 85.5mm.
- Cutout area: 71.5 x 35mm.

G9XX, TYPE E SERIES

JUMBO SIZE HAND-HELD PLASTIC-CASE



PRODUCT INFORMATION

MATERIAL: High impact ABS.

FEATURES:

- Two colours are available in black and light grey.
- Available with open display window or solid front.
- Recessed display area: 119.0x89.0mm.
- Recessed keyboard area: 104.04 / 83.85 x 118.35

ITEM No.	COLOR	DISPLAY AREA	EXTERNAL DIMENSION(mm)
G999G(0)	Grey	Cutout	300 X 181.3 X 55
G999G(S)	Grey	Solid	300 X 181.3 X 55
G999B(0)	Black	Cutout	300 X 181.3 X 55
G999B(S)	Black	Solid	300 X 181.3 X 55
G999CP	Transparent		127.83 X 97.83 X 2.0

