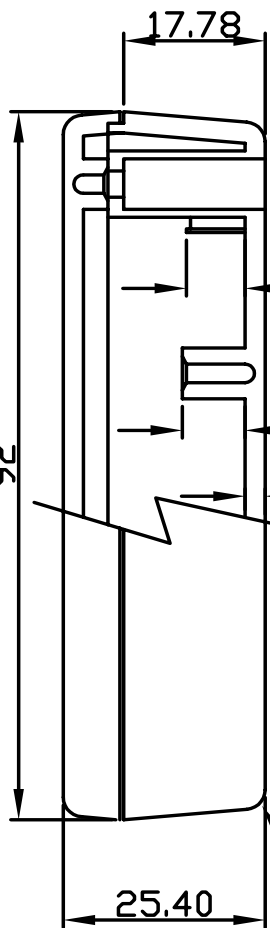


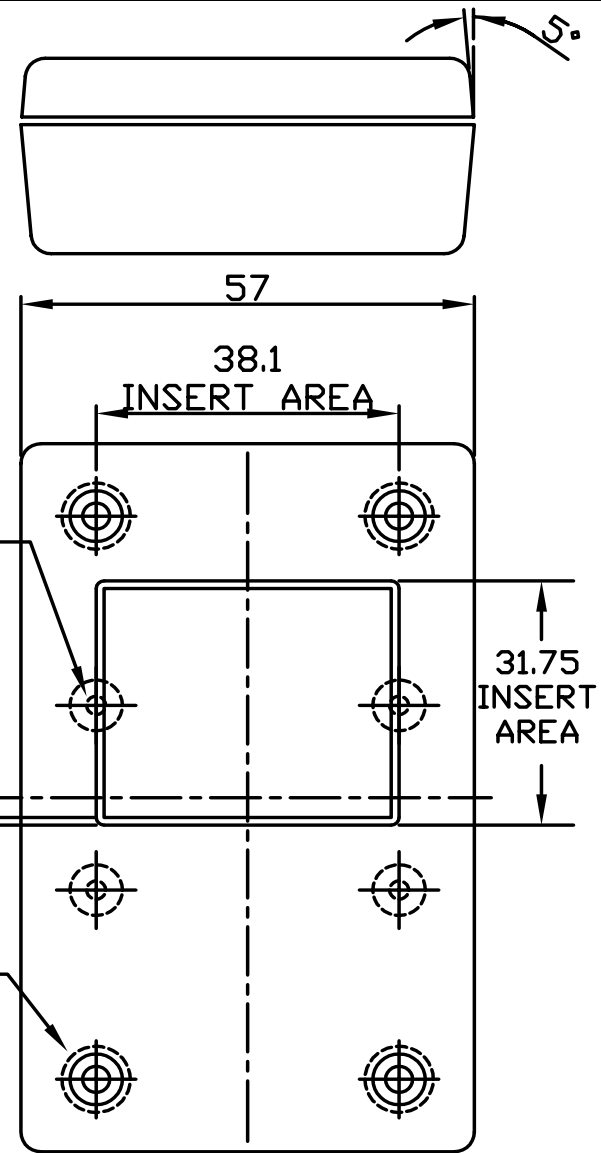
TOP VIEW



Internal PCB pillars
(6.60 ϕ) with
self-tapping screws
holes (2.39 ϕ)

(1.02)wide
(0.51)deep

Counterbored for
self-tapping screws
4 plc's



BOTTOM VIEW

宣又實業有限公司
GAINTA INDUSTRIES LTD.

設計 DES'D
BY

繪圖 DRA'D
BY

核圖 CHK'D
BY

比例 SCALE

日期 DATE

材質 MATE.
ABS

圖名 TITLE:
G1200

圖號 DWG NO.

圖號 REVISID

說明 DESCRIPTION