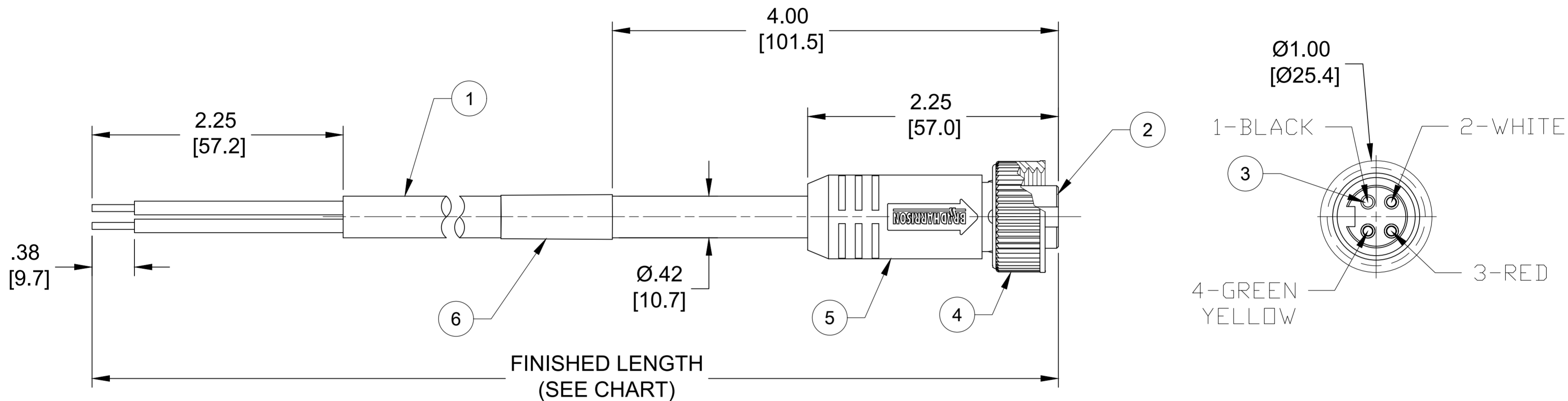


PART NO.	ENGINEERING NO.	FINISHED LENGTH
1300060725	104000A01F030	3.0FT [9.1M]
1300060728	104000A01F060	6.0FT [1.8M]
1300060744	104000A01F200	20.0FT [6.1M]
1300060784	104000A01M100	10M [32FT 10IN]

REF. THIS DRAWING SUPERSEDES SD-130006-010 REV-B (A)

**PART NUMBER LEGEND**

104000A01F030  
 POLE COUNT → FINISHED LENGTH:  
 F010= 1.0 FEET  
 F100= 10.0 FEET  
 M005= 0.5 METER  
 M010= 1.0 METER  
 M100= 10. METER



- NOTES:**
1. MATERIAL: AS NOTED
  2. FINISH: AS NOTED
  3. ELECTRICAL:  
 VOLTAGE: 483V PER IEC60664  
 600V PER UL2238  
 CURRENT: 10A
  4. TEMP RATING: -20°TO +80°C
  5. PROTECTION: IP67 (WHEN MATED)
  6. COUPLING THREAD: 7/8-16UN
  7. UL RECOGNIZED FILE: E152210  
 CSA CERTIFIED FILE: LR6837
  8. ALL DIMS ARE FOR REFERENCE UNLESS TOLERANCED OR NOTED OTHERWISE

**CABLE LENGTH TOLERANCES**

>.3M [1FT]:	+19mm-0 [+ .75in-0]
.3 - .9M [1 - 3FT]:	+44.5mm-0 [+1.75in-0]
.9 - 1.8M [3 - 6FT]:	+55.6mm-0 [+2.19in-0]
1.8 - 3.7M [6 - 12FT]:	+88.9mm-0 [+3.50in-0]
3.7 - 7.3M [12 - 24FT]:	+165.1mm-0 [+6.50in-0]
7.3-14.6M [24 - 48FT]:	+317.5mm-0 [+12.50in-0]
14.6 - 30.5M [48-100FT]:	+622.3mm-0 [+24.50in-0]
OVER 30M [100FT]	+2% OF FINISHED LENGTH

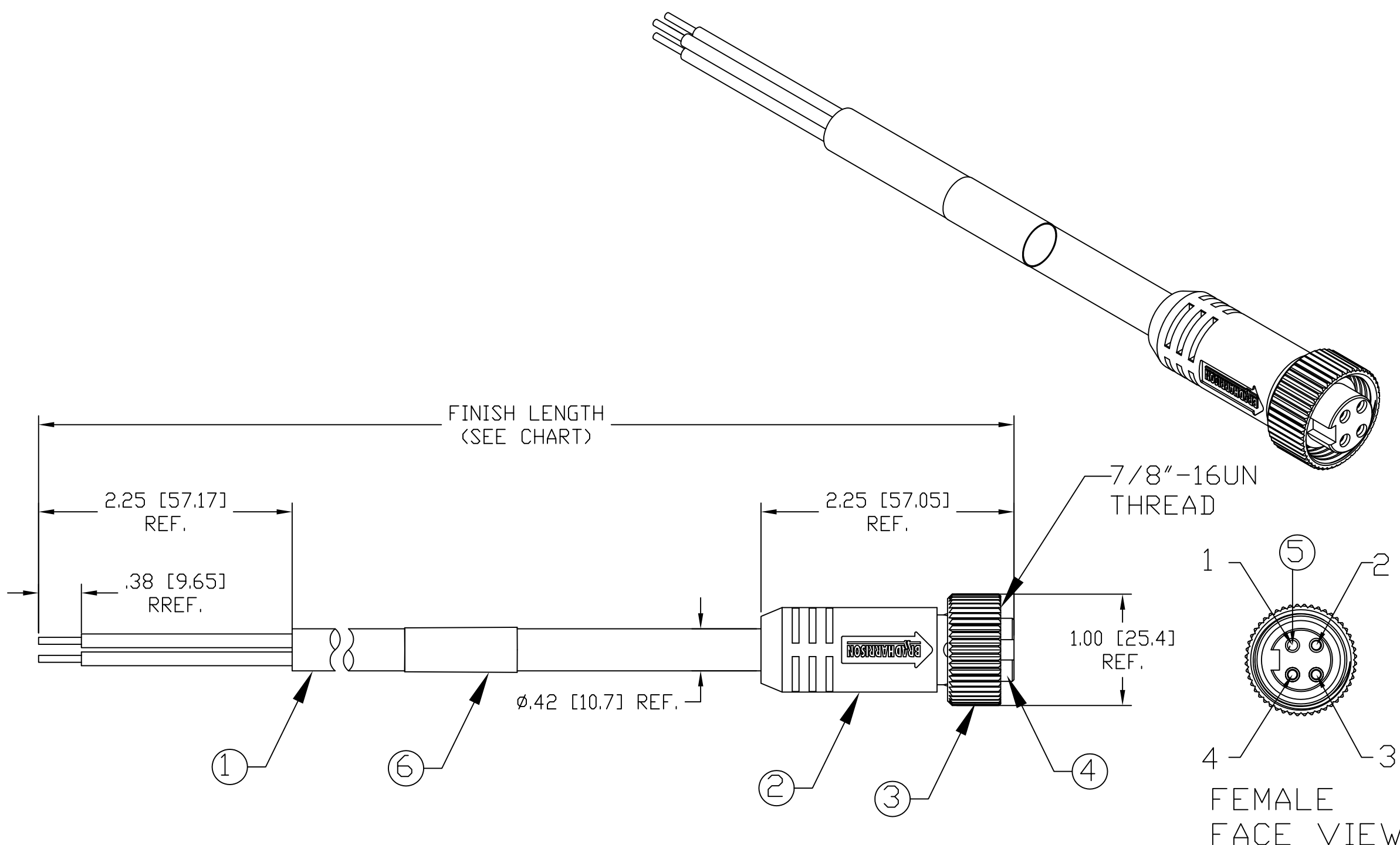
ITEM	DESCRIPTION	MATERIAL	FINISH
6	WRAP LABEL	VINYL	BLACK/YELLOW
5	OVERMOLD	TPE	YELLOW
4	COUPLING NUT, INT. THD	ZINC DIE-CAST	NICKEL PLATED
3	CONTACT SOCKET	COPPER ALLOY	GOLD PLATED
2	FEMALE INSERT	TPE	YELLOW
1	CABLE, 16/4, ST00W	PVC JACKET	YELLOW

SYMBOLS DIMENSION UNITS: INCH/MM SCALE: 1:1 CURRENT REV DESC: REDRAWN, WAS SD-130006-010				<b>molex</b> MINI CHANGE CABLE ASSY, 4P, FEMALE, STR 16AWG, ST00W, INTERNAL THREAD	
GENERAL TOLERANCES (UNLESS SPECIFIED) 4 PLACES ± .004 ± .004 3 PLACES ± .005 ± .005 2 PLACES ± .006 ± .006 1 PLACE ± .007 ± .007 0 PLACES ± .008 ± .008 ANGULAR TOL ± .004 °				EC NO: 624117 DRWN: RSTONE 2019/09/11 CHK'D: MZIELINSKI 2019/09/19 APPR: BWOODMAN 2019/10/03 INITIAL REVISION: DRWN: RSTONE 2019/09/11 APPR: BWOODMAN 2019/10/03	
DRAFT WHERE APPLICABLE MUST REMAIN WITHIN DIMENSIONS THIRD ANGLE PROJECTION DRAWING: C-SIZE SERIES: 130006				PRODUCT CUSTOMER DRAWING DOCUMENT NUMBER: 1300060725 DOC TYPE: PSD DOC PART: 000 REVISION: A MATERIAL NUMBER: --- CUSTOMER: --- SHEET NUMBER: 1 OF 1	

13	12	11	10	9	8	7	6	5	4	3	2	1
PART NUMBER	ENGINEERING NUMBER	FINISH LENGTH										
1300060725	104000A01F030	3.00' +1.75" -0 [.9M +44.5 -0]										
1300060728	104000A01F060	6.00' +2.19" -0 [1.8M +55.6 -0]										
1300060737	104000A01F120	12.00' +3.50" -0 [3.7M +88.9 -0]										
1300060741	104000A01F150	15.00' +6.50" -0 [4.6M +165.1 -0]										
1300060744	104000A01F200	20.00' +6.50" -0 [6.1M +165.1 -0]										
1300060748	104000A01F250	25.00' +12.50" -0 [7.6M +317.5 -0]										
1300060751	104000A01F300	30.00' +12.50" -0 [9.11M +317.5 -0]										

NOTE

- 1) MATERIAL: SEE TABLE
- 2) FINISHES: SEE TABLE
- 3) WRAP LABEL IS MARKED WITH P/N, DATE CODE, VOLTAGE & AMPERAGE
- 4) MATES WITH: MINI CHANGE, 4 POLE RECEPTACLE
- 5) ELECTRICAL DATA:  
 INLINE CORDSET  
 FEMALE A-SIZE WITH FLYING LEADS  
 16AWG UNSHIELDED  
 POLES: 4  
 MAX. VOLTAGE: 600V  
 MAX. CURRENT 10A  
 PROTECTION IP67  
 TEMPERATURE RANGE: -20°C TO 105°C
- 6) PACKAGING:  
 CABLE ASSEMBLIES ARE BAGGED SEPERATELY  
 IN POLY BAGS WITH BAR CODE LABEL ATTACHED  
 TO OUTSIDE OF BAG.
- 7) ASSEMBLY IS RoHS COMPLIANT.
- 8) CERTIFICATION  
 UL RECOGNIZED, FILE NO. E152210  
 CSA CERTIFIED, FILE NO. LR6837



P1

1	BLACK
2	WHITE
3	RED
4	GREEN/YELLOW-GND

WIRING DIAGRAM

6	1	LABEL	PLASTIC FILM	BLACK/YELLOW
5	4	CONTACT SOCKET	COPPER ALLOY	GOLD PLATED
4	1	INSERT	PVC	YELLOW
3	1	COUPLING NUT	ZINC DIE CAST	BLACK E-COATED
2	1	OVERMOLD	PVC	YELLOW
1	1	CABLE, 16AWG-4 TYPE ST00W	PVC	YELLOW
ITEM	QTY.	DESCRIPTION	MATERIAL	FINISH

RELEASE EC NO: WNA2010-0397 DRWN: BWOODMAN 12/22/09 CH'KD: --- APPR: JFMURPHY 2010/01/05	DESCRIPTION REV	QUALITY SYMBOL	GENERAL TOLERANCES (UNLESS SPECIFIED)		DIMENSION STYLE		SCALE	DESIGN UNITS	THIRD ANGLE PROJECTION		
		$\nabla=0$ $\sphericalangle=0$	mm	INCH	IN/MM		1:1	INCH			
			4 PLACES ±---	±---	DRAWN BY	DATE	TITLE				
			3 PLACES ±.005	±.005	TWOLDEGE	2009/07/10	MINI CHANGE ASSEMBLY 4-POLE FEMALE ST 16/4AWG PVC				
	2 PLACES ±.013	±.010	CHECKED BY		DATE	MOLEX INCORPORATED					
	1 PLACE ±.025	±.020	APPROVED BY		DATE	MATERIAL NO.		DOCUMENT NO.	SHEET NO.		
	ANGULAR ±1/2°		JFMURPHY		2010/01/05	SEE CHART		SD-130006-010	1 OF 1		
DRAFT WHERE APPLICABLE MUST REMAIN WITHIN DIMENSIONS			THIS DRAWING CONTAINS INFORMATION THAT IS PROPRIETARY TO MOLEX INCORPORATED AND SHOULD NOT BE USED WITHOUT WRITTEN PERMISSION								

# Mouser Electronics

Authorized Distributor

Click to View Pricing, Inventory, Delivery & Lifecycle Information:

[Molex:](#)

[1300060728](#) [1300060741](#) [104000A01F060](#)