

## Power-Monitoring IC with Calculation and Energy Accumulation

### Features

- Power Monitoring Accuracy Capable of 0.1% Error Across 4000:1 Dynamic Range
- Built-In Calculations on Fast 16-Bit Processing Core
  - Active, Reactive, Apparent Power
  - True RMS Current, RMS Voltage
  - Line Frequency, Power Factor
- 64-bit Wide Import and Export Active Energy Accumulation Registers
- 64-bit Four Quadrant Reactive Energy Accumulation Registers
- Signed Active and Reactive Power Outputs
- Dedicated Zero Crossing Detection (ZCD) Pin Output with Less than 200  $\mu$ s Latency
- Dedicated PWM Output Pin with Programmable Frequency and Duty Cycle
- Automatic Event Pin Control through Fast Voltage Surge Detection Less than 5 ms Delay
- Two Wire Serial Protocol with Selectable Baud Rate Up to 115.2 kbps using Universal Asynchronous Receiver/Transmitter (UART)
- Four Independent Registers for Minimum and Maximum Output Quantity Tracking
- Fast Calibration Routines and Simplified Command Protocol
- 512 Bytes User-Accessible EEPROM through Page Read/Write Commands
- Low-Drift Internal Voltage Reference, 10 ppm/ $^{\circ}$ C Typical
- 28-lead 5x5 QFN Package
- Extended Temperature Range  $-40^{\circ}$ C to  $+125^{\circ}$ C

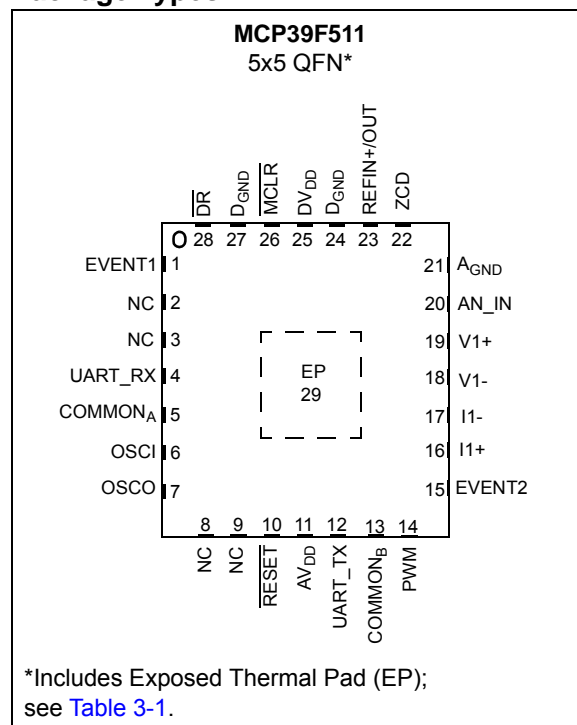
### Applications

- Power Monitoring for Home Automation
- Industrial Lighting Power Monitoring
- Real-Time Measurement of Input Power for AC/DC Supplies
- Intelligent Power Distribution Units

### Description

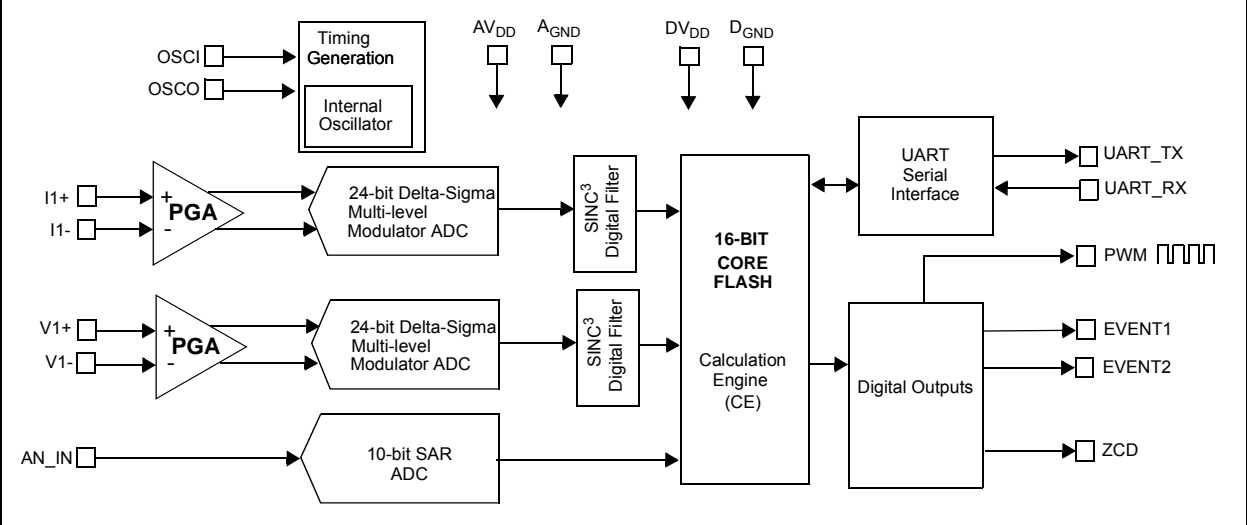
The MCP39F511 is a highly integrated, complete single-phase power-monitoring IC designed for real-time measurement of input power for AC/DC power supplies, power distribution units, consumer and industrial applications. It includes dual-channel Delta-Sigma ADCs, a 16-bit calculation engine, EEPROM and a flexible 2-wire interface. An integrated low-drift voltage reference with 10 ppm/ $^{\circ}$ C in addition to 94.5 dB of SINAD performance on each measurement channel allows for better than 0.1% accurate designs across a 4000:1 dynamic range.

### Package Types

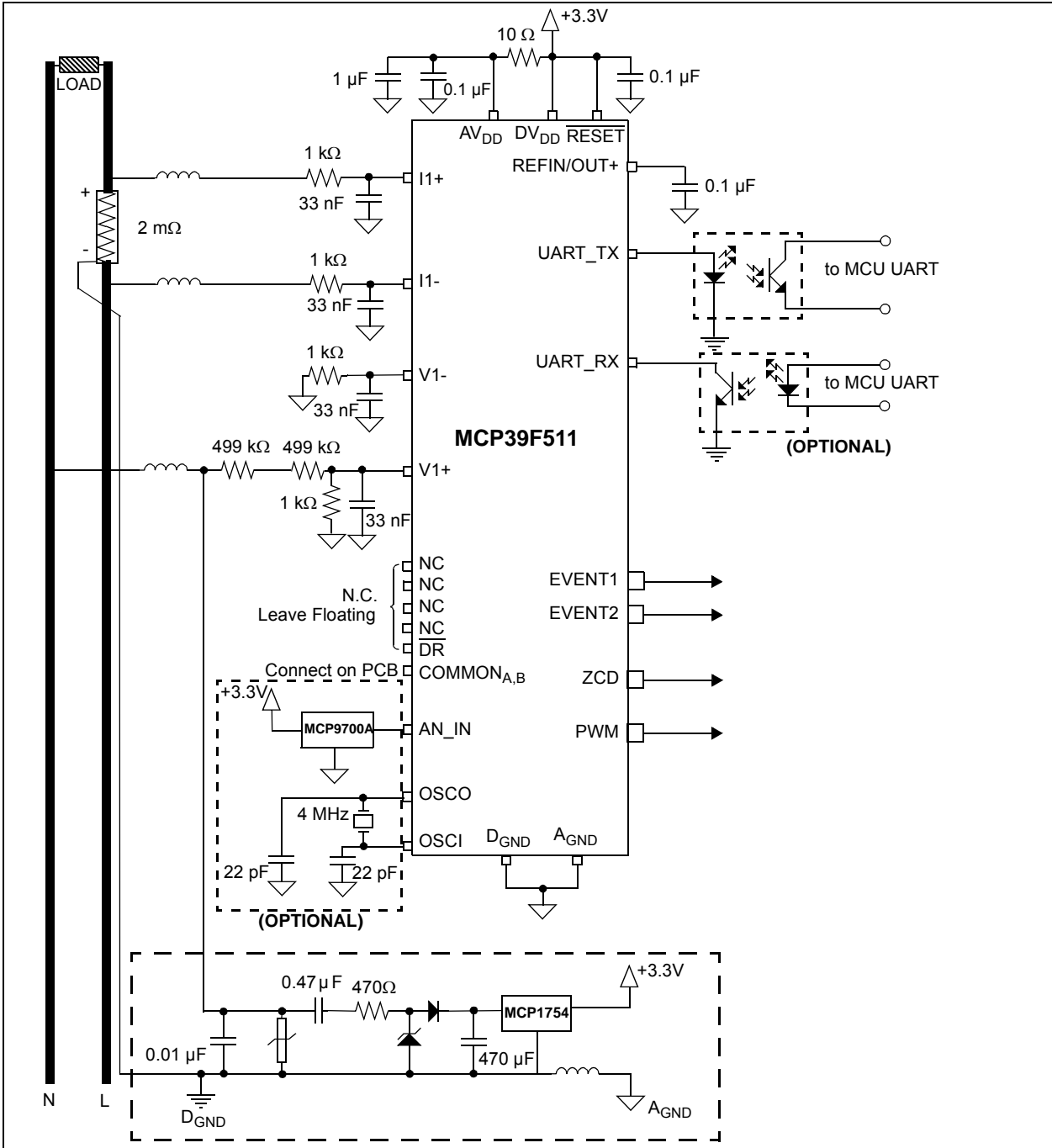


# MCP39F511

## Functional Block Diagram



## MCP39F511 Typical Application – Single Phase, Two-Wire Application Schematic



**Note 1:** The MCP39F511 demonstration board uses a switching power supply, however a low-cost capacitive-based supply, as shown here, is sufficient for many applications.

**2:** The external sensing components shown here, a 2 mΩ shunt, two 499 kΩ and 1 kΩ resistors for the 1000:1 voltage divider, are specifically chosen to match the default values for the calibration registers defined in [Section 6.0 “Register Descriptions”](#). By choosing low-tolerance components of these values (e.g. 1% tolerance), measurement accuracy in the 2-3% range can be achieved with zero calibration. See [Section 9.0 “MCP39F511 Calibration”](#) for more information.

# MCP39F511

## 1.0 ELECTRICAL CHARACTERISTICS

### Absolute Maximum Ratings †

|   |                                 |
|---|---------------------------------|
| DV <sub>DD</sub> .....                                    | -0.3 to +4.5V                   |
| AV <sub>DD</sub> .....                                    | -0.3 to +4.0V                   |
| Digital inputs and outputs w.r.t. A <sub>GND</sub> .....  | -0.3V to +4.0V                  |
| Analog Inputs (I+,I-,V+,V-) w.r.t. A <sub>GND</sub> ..... | -2V to +2V                      |
| V <sub>REF</sub> input w.r.t. A <sub>GND</sub> .....      | -0.6V to AV <sub>DD</sub> +0.6V |
| Maximum Current out of D <sub>GND</sub> pin.....          | 300 mA                          |
| Maximum Current into DV <sub>DD</sub> pin.....            | 250 mA                          |
| Maximum Output Current Sunk by Digital IO.....            | 25 mA                           |
| Maximum Current Sourced by Digital IO.....                | 25 mA                           |
| Storage temperature.....                                  | -65°C to +150°C                 |
| Ambient temperature with power applied.....               | -40°C to +125°C                 |
| Soldering temperature of leads (10 seconds).....          | +300°C                          |
| ESD on the analog inputs (HBM,MM).....                    | 4.0 kV, 200V                    |
| ESD on all other pins (HBM,MM).....                       | 4.0 kV, 200V                    |

† **Notice:** Stresses above those listed under “Maximum Ratings” may cause permanent damage to the device. This is a stress rating only and functional operation of the device at those or any other conditions above those indicated in the operation listings of this specification is not implied. Exposure to maximum rating conditions for extended periods may affect device reliability.

### 1.1 Specifications

**TABLE 1-1: ELECTRICAL CHARACTERISTICS**

| <b>Electrical Specifications:</b> Unless otherwise indicated, all parameters apply at AV <sub>DD</sub> , DV <sub>DD</sub> = +2.7 to +3.6V, T <sub>A</sub> = -40°C to +125°C, MCLK = 4 MHz, PGA GAIN = 1. |                  |      |      |      |       |   |
|--|------------------|------|------|------|-------|---|
| Characteristic   | Sym.             | Min. | Typ. | Max. | Units | Test Conditions   |
| <b>Power Measurement</b>   |                  |      |      |      |       |   |
| Active Power ( <b>Note 1</b> )   | P                | —    | ±0.1 | —    | %     | 4000:1 Dynamic Range on Current Channel ( <b>Note 2</b> ) |
| Reactive Power ( <b>Note 1</b> )   | Q                | —    | ±0.1 | —    | %     | 4000:1 Dynamic Range on Current Channel ( <b>Note 2</b> ) |
| Apparent Power ( <b>Note 1</b> )   | S                | —    | ±0.1 | —    | %     | 4000:1 Dynamic Range on Current Channel ( <b>Note 2</b> ) |
| Current RMS ( <b>Note 1</b> )  | I <sub>RMS</sub> | —    | ±0.1 | —    | %     | 4000:1 Dynamic Range on Current Channel ( <b>Note 2</b> ) |
| Voltage RMS ( <b>Note 1</b> )  | V <sub>RMS</sub> | —    | ±0.1 | —    | %     | 4000:1 Dynamic Range on Voltage Channel ( <b>Note 2</b> ) |
| Power Factor ( <b>Note 1</b> )   | Φ                | —    | ±0.1 | —    | %     |   |
| Line Frequency ( <b>Note 1</b> )   | LF               | —    | ±0.1 | —    | %     |   |

- Note 1:** Calculated from reading the register values with no averaging, single computation cycle with accumulation interval of 4 line cycles.
- 2:** Specification by design and characterization; not production tested.
- 3:** N = Value in the Accumulation Interval Parameter register. The default value of this register is 2 or T<sub>CAL</sub> = 80 ms for 50 Hz line.
- 4:** Applies to Voltage Sag and Voltage Surge events only.
- 5:** Applies to all gains. Offset and gain errors depend on the PGA gain setting. See **Section 2.0 “Typical Performance Curves”** for typical performance.
- 6:** V<sub>IN</sub> = 1V<sub>PP</sub> = 353 mV<sub>RMS</sub> @ 50/60 Hz.
- 7:** Variation applies to internal clock and UART only. All calculated output quantities are temperature compensated to the performance listed in the respective specification.
- 8:** Lower baud rates selectable only on system versions 0xFA14 and later.

**TABLE 1-1: ELECTRICAL CHARACTERISTICS (CONTINUED)**

**Electrical Specifications:** Unless otherwise indicated, all parameters apply at  $AV_{DD}, DV_{DD} = +2.7$  to  $+3.6V$ ,  $T_A = -40^{\circ}C$  to  $+125^{\circ}C$ ,  $MCLK = 4$  MHz,  $PGA$  GAIN = 1.

| Characteristic  | Sym.                       | Min.      | Typ.                      | Max.      | Units             | Test Conditions  |
|---|----------------------------|-----------|---------------------------|-----------|-------------------|--|
| <b>Calibration, Calculation and Event Detection Times</b> |                            |           |                           |           |                   |  |
| Auto-Calibration Time                                     | $t_{CAL}$                  | —         | $2^N \times (1/f_{LINE})$ | —         | ms                | Note 3   |
| Minimum Time for Voltage Surge/Sag Detection              | $t_{AC\_SASU}$             | —         | see Section 7.0           | —         | ms                | Note 4   |
| <b>24-Bit Delta-Sigma ADC Performance</b>                 |                            |           |                           |           |                   |  |
| Analog Input Absolute Voltage                             | $V_{IN}$                   | -1        | —                         | +1        | V                 |  |
| Analog Input Leakage Current                              | $A_{IN}$                   | —         | 1                         | —         | nA                |  |
| Differential Input Voltage Range                          | $(I1+ - I1-), (V1+ - V1-)$ | -600/GAIN | —                         | +600/GAIN | mV                | $V_{REF} = 1.2V$ , proportional to $V_{REF}$                       |
| Offset Error  | $V_{OS}$                   | -1        | —                         | +1        | mV                |  |
| Offset Error Drift  |                            | —         | 0.5                       | —         | $\mu V/^{\circ}C$ |  |
| Gain Error  | GE                         | -4        | —                         | +4        | %                 | Note 5   |
| Gain Error Drift  |                            | —         | 1                         | —         | ppm/ $^{\circ}C$  |  |
| Differential Input Impedance                              | $Z_{IN}$                   | 232       | —                         | —         | k $\Omega$        | G = 1  |
|   |                            | 142       | —                         | —         | k $\Omega$        | G = 2  |
|   |                            | 72        | —                         | —         | k $\Omega$        | G = 4  |
|   |                            | 38        | —                         | —         | k $\Omega$        | G = 8  |
|   |                            | 36        | —                         | —         | k $\Omega$        | G = 16   |
|   |                            | 33        | —                         | —         | k $\Omega$        | G = 32   |
| Signal-to-Noise and Distortion Ratio                      | SINAD                      | 92        | 94.5                      | —         | dB                | Note 6   |
| Total Harmonic Distortion                                 | THD                        | —         | -106.5                    | -103      | dBc               | Note 6   |
| Signal-to-Noise Ratio                                     | SNR                        | 92        | 95                        | —         | dB                | Note 6   |
| Spurious Free Dynamic Range                               | SFDR                       | —         | 111                       | —         | dB                | Note 6   |
| Crosstalk   | CTALK                      | —         | -122                      | —         | dB                |  |
| AC Power Supply Rejection Ratio                           | AC PSRR                    | —         | -73                       | —         | dB                | $AV_{DD}$ and $DV_{DD} = 3.3V + 0.6V_{PP}$ , 100 Hz, 120 Hz, 1 kHz |
| DC Power Supply Rejection Ratio                           | DC PSRR                    | —         | -73                       | —         | dB                | $AV_{DD}$ and $DV_{DD} = 3.0$ to $3.6V$                            |

- Note 1:** Calculated from reading the register values with no averaging, single computation cycle with accumulation interval of 4 line cycles.
- 2:** Specification by design and characterization; not production tested.
- 3:** N = Value in the Accumulation Interval Parameter register. The default value of this register is 2 or  $T_{CAL} = 80$  ms for 50 Hz line.
- 4:** Applies to Voltage Sag and Voltage Surge events only.
- 5:** Applies to all gains. Offset and gain errors depend on the PGA gain setting. See Section 2.0 “Typical Performance Curves” for typical performance.
- 6:**  $V_{IN} = 1V_{PP} = 353$  mV<sub>RMS</sub> @ 50/60 Hz.
- 7:** Variation applies to internal clock and UART only. All calculated output quantities are temperature compensated to the performance listed in the respective specification.
- 8:** Lower baud rates selectable only on system versions 0xFA14 and later.

# MCP39F511

**TABLE 1-1: ELECTRICAL CHARACTERISTICS (CONTINUED)**

| <b>Electrical Specifications:</b> Unless otherwise indicated, all parameters apply at $AV_{DD}, DV_{DD} = +2.7$ to $+3.6V$ , $T_A = -40^{\circ}C$ to $+125^{\circ}C$ , $MCLK = 4$ MHz, $PGA$ GAIN = 1. |                  |                    |                |                  |           |   |
|--|------------------|--------------------|----------------|------------------|-----------|---|
| Characteristic   | Sym.             | Min.               | Typ.           | Max.             | Units     | Test Conditions   |
| DC Common Mode Rejection Ratio   | DC CMRR          | —                  | -105           | —                | dB        | $V_{CM}$ varies from -1V to +1V                           |
| <b>10-Bit SAR ADC Performance for Temperature Measurement</b>  |                  |                    |                |                  |           |   |
| Resolution   | $N_R$            | —                  | 10             | —                | bits      |   |
| Absolute Input Voltage   | $V_{IN}$         | $D_{GND} - 0.3$    | —              | $D_{VDD} + 0.3$  | V         |   |
| Recommended Impedance of Analog Voltage Source   | $R_{IN}$         | —                  | —              | 2.5              | $k\Omega$ |   |
| Integral Nonlinearity  | $I_{NL}$         | —                  | $\pm 1$        | $\pm 2$          | LSb       |   |
| Differential Nonlinearity  | $D_{NL}$         | —                  | $\pm 1$        | $\pm 1.5$        | LSb       |   |
| Gain Error   | $G_{ERR}$        | —                  | $\pm 1$        | $\pm 3$          | LSb       |   |
| Offset Error   | $E_{OFF}$        | —                  | $\pm 1$        | $\pm 2$          | LSb       |   |
| Temperature Measurement Rate   |                  | —                  | $f_{LINE}/2^N$ | —                | sps       | <a href="#">Note 7</a>                                    |
| <b>Clock and Timings</b>   |                  |                    |                |                  |           |   |
| UART Baud Rate   | UDB              | 1.2 <sup>(8)</sup> | —              | 115.2            | kbps      | See <a href="#">Section 3.2</a> for protocol details      |
| Master Clock and Crystal Frequency   | $f_{MCLK}$       | -2%                | 4              | +2%              | MHz       |   |
| Capacitive Loading on OSC0 pin   | COSC2            | —                  | —              | 15               | pF        | When an external clock is used to drive the device        |
| Internal Oscillator Tolerance  | $f_{INT\_OSC}$   | —                  | 2              | —                | %         | -40 to +85°C only ( <a href="#">Note 7</a> )              |
| <b>Internal Voltage Reference</b>  |                  |                    |                |                  |           |   |
| Internal Voltage Reference Tolerance   | $V_{REF}$        | -2%                | 1.2            | +2%              | V         |   |
| Temperature Coefficient  | $TCV_{REF}$      | —                  | 10             | —                | ppm/°C    | $T_A = -40^{\circ}C$ to $+85^{\circ}C$ , $V_{REFEXT} = 0$ |
| Output Impedance   | $Z_{OUTV_{REF}}$ | —                  | 2              | —                | $k\Omega$ |   |
| Current, $V_{REF}$   | $AI_{DDV_{REF}}$ | —                  | 40             | —                | $\mu A$   |   |
| <b>Voltage Reference Input</b>   |                  |                    |                |                  |           |   |
| Input Capacitance  |                  | —                  | —              | 10               | pF        |   |
| Absolute Voltage on $V_{REF+}$ Pin   | $V_{REF+}$       | $A_{GND} + 1.1V$   | —              | $A_{GND} + 1.3V$ | V         |   |

**Note 1:** Calculated from reading the register values with no averaging, single computation cycle with accumulation interval of 4 line cycles.

**2:** Specification by design and characterization; not production tested.

**3:**  $N$  = Value in the Accumulation Interval Parameter register. The default value of this register is 2 or  $T_{CAL} = 80$  ms for 50 Hz line.

**4:** Applies to Voltage Sag and Voltage Surge events only.

**5:** Applies to all gains. Offset and gain errors depend on the PGA gain setting. See [Section 2.0 “Typical Performance Curves”](#) for typical performance.

**6:**  $V_{IN} = 1V_{PP} = 353$  mV<sub>RMS</sub> @ 50/60 Hz.

**7:** Variation applies to internal clock and UART only. All calculated output quantities are temperature compensated to the performance listed in the respective specification.

**8:** Lower baud rates selectable only on system versions 0xFA14 and later.

**TABLE 1-1: ELECTRICAL CHARACTERISTICS (CONTINUED)**

**Electrical Specifications:** Unless otherwise indicated, all parameters apply at  $V_{DD}$ ,  $DV_{DD} = +2.7$  to  $+3.6V$ ,  $T_A = -40^\circ C$  to  $+125^\circ C$ ,  $MCLK = 4$  MHz,  $PGA$  GAIN = 1.

| Characteristic   | Sym.                  | Min.      | Typ.       | Max. | Units | Test Conditions                               |
|--|-----------------------|-----------|------------|------|-------|---|
| <b>Power Specifications</b>                                      |                       |           |            |      |       |   |
| Operating Voltage  | $AV_{DD}$ , $DV_{DD}$ | 2.7       | —          | 3.6  | V     |   |
| $DV_{DD}$ Start Voltage to Ensure Internal Power-On Reset Signal | $V_{POR}$             | $D_{GND}$ | —          | 0.7  | V     |   |
| $DV_{DD}$ Rise Rate to Ensure Internal Power-On Reset Signal     | $SDV_{DD}$            | 0.05      | —          | —    | V/ms  | 0 – 3.3V in 0.1s, 0 – 2.5V in 60 ms           |
| $AV_{DD}$ Start Voltage to Ensure Internal Power-On Reset Signal | $V_{POR}$             | $A_{GND}$ | —          | 2.1  | V     |   |
| $AV_{DD}$ Rise Rate to Ensure Internal Power On Reset Signal     | $SAV_{DD}$            | 0.042     | —          | —    | V/ms  | 0 – 2.4V in 50 ms                             |
| Operating Current  | $I_{DD}$              | —         | 13         | —    | mA    |   |
| <b>Data EEPROM Memory</b>  |                       |           |            |      |       |   |
| Cell Endurance   | EPS                   | 100,000   | —          | —    | E/W   |   |
| Self-Timed Write Cycle Time                                      | $T_{IWD}$             | —         | 4          | —    | ms    |   |
| Number of Total Write/Erase Cycles Before Refresh                | $R_{REF}$             | —         | 10,000,000 | —    | E/W   |   |
| Characteristic Retention   | $T_{RETDD}$           | 40        | —          | —    | years | Provided no other specifications are violated |
| Supply Current during Programming                                | $I_{DDPD}$            | —         | 7          | —    | mA    |   |

- Note 1:** Calculated from reading the register values with no averaging, single computation cycle with accumulation interval of 4 line cycles.
- 2:** Specification by design and characterization; not production tested.
- 3:** N = Value in the Accumulation Interval Parameter register. The default value of this register is 2 or  $T_{CAL} = 80$  ms for 50 Hz line.
- 4:** Applies to Voltage Sag and Voltage Surge events only.
- 5:** Applies to all gains. Offset and gain errors depend on the PGA gain setting. See [Section 2.0 “Typical Performance Curves”](#) for typical performance.
- 6:**  $V_{IN} = 1V_{PP} = 353$  mV<sub>RMS</sub> @ 50/60 Hz.
- 7:** Variation applies to internal clock and UART only. All calculated output quantities are temperature compensated to the performance listed in the respective specification.
- 8:** Lower baud rates selectable only on system versions 0xFA14 and later.

# MCP39F511

**TABLE 1-2: SERIAL DC CHARACTERISTICS**

| <b>Electrical Specifications:</b> Unless otherwise indicated, all parameters apply at $AV_{DD}, DV_{DD} = +2.7$ to $+3.6V$ , $T_A = -40^{\circ}C$ to $+125^{\circ}C$ , MCLK = 4 MHz |          |               |       |               |         |   |
|---|----------|---------------|-------|---------------|---------|---|
| Characteristic  | Sym.     | Min.          | Typ.  | Max.          | Units   | Test Conditions                                     |
| High-Level Input Voltage  | $V_{IH}$ | 0.8 $DV_{DD}$ | —     | $DV_{DD}$     | V       |   |
| Low-Level Input Voltage   | $V_{IL}$ | 0             | —     | 0.2 $DV_{DD}$ | V       |   |
| High-Level Output Voltage   | $V_{OH}$ | 3             | —     | —             | V       | $I_{OH} = -3.0$ mA, $V_{DD} = 3.6V$                 |
| Low-Level Output Voltage  | $V_{OL}$ | —             | —     | 0.4           | V       | $I_{OL} = 4.0$ mA, $V_{DD} = 3.6V$                  |
| Input Leakage Current   | $I_{LI}$ | —             | —     | 1             | $\mu A$ | Digital Output pins only (ZCD, PWM, EVENT1, EVENT2) |
|   |          |               | 0.050 | 0.100         |         |   |

**TABLE 1-3: TEMPERATURE SPECIFICATIONS**

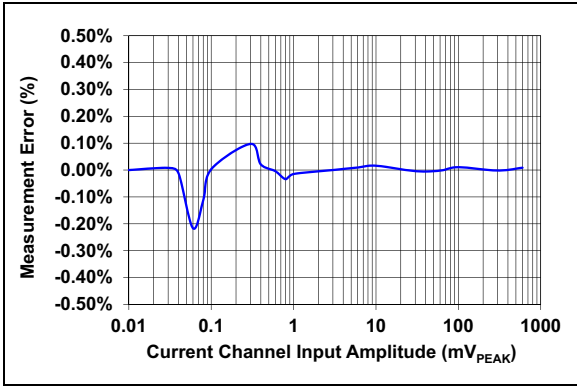
| <b>Electrical Specifications:</b> Unless otherwise indicated, all parameters apply at $AV_{DD}, DV_{DD} = +2.7$ to $+3.6V$ . |               |      |      |      |               |            |
|--|---------------|------|------|------|---------------|------------|
| Parameters   | Sym.          | Min. | Typ. | Max. | Units         | Conditions |
| <b>Temperature Ranges</b>  |               |      |      |      |               |            |
| Operating Temperature Range  | $T_A$         | -40  | —    | +125 | $^{\circ}C$   |            |
| Storage Temperature Range  | $T_A$         | -65  | —    | +150 | $^{\circ}C$   |            |
| <b>Thermal Package Resistances</b>   |               |      |      |      |               |            |
| Thermal Resistance, 28LD 5x5 QFN   | $\theta_{JA}$ | —    | 36.9 | —    | $^{\circ}C/W$ |            |



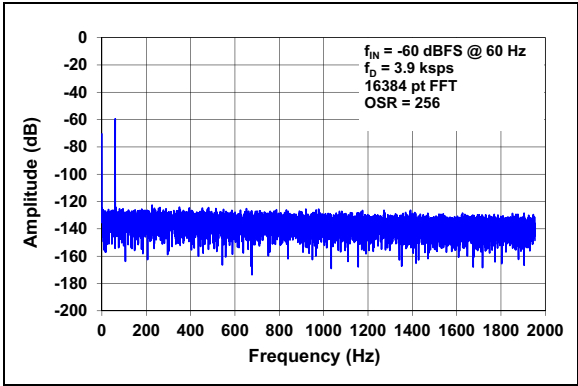
## 2.0 TYPICAL PERFORMANCE CURVES

**Note:** The graphs and tables provided following this note are a statistical summary based on a limited number of samples and are provided for informational purposes only. The performance characteristics listed herein are not tested or guaranteed. In some graphs or tables, the data presented may be outside the specified operating range (e.g., outside specified power supply range) and therefore outside the warranted range.

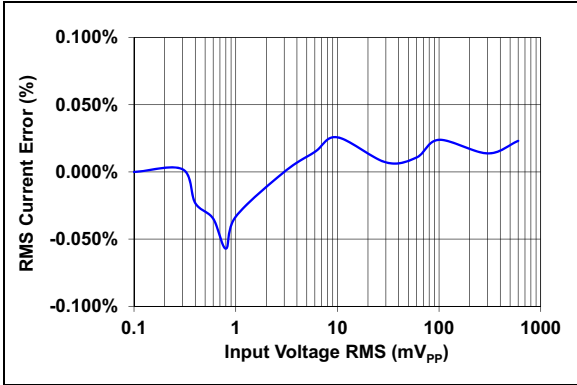
**Note:** Unless otherwise indicated,  $AV_{DD} = +3.3V$ ,  $DV_{DD} = +3.3V$ ,  $T_A = +25^\circ C$ ,  $GAIN = 1$ ,  $V_{IN} = -0.5$  dBFS at 60 Hz.



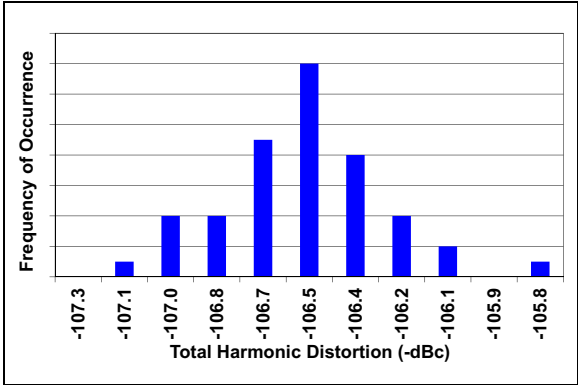
**FIGURE 2-1:** Active Power, Gain = 1.



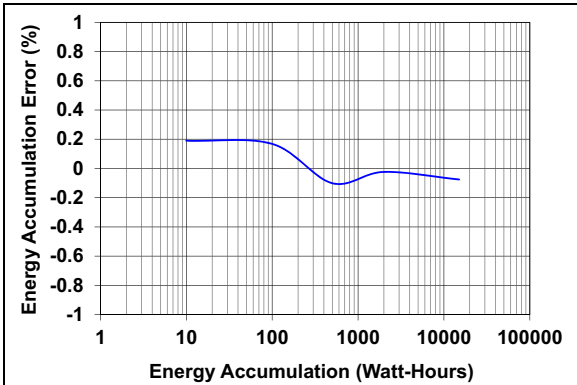
**FIGURE 2-4:** Spectral Response.



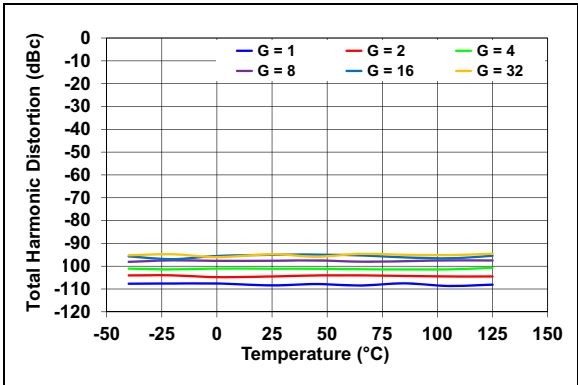
**FIGURE 2-2:** RMS Current, Gain = 1.



**FIGURE 2-5:** THD Histogram.



**FIGURE 2-3:** Energy, Gain = 8.



**FIGURE 2-6:** THD vs. Temperature.

# MCP39F511

Note: Unless otherwise indicated,  $AV_{DD} = 3.3V$ ,  $DV_{DD} = 3.3V$ ,  $T_A = +25^\circ C$ ,  $GAIN = 1$ ,  $V_{IN} = -0.5$  dBFS at 60 Hz.

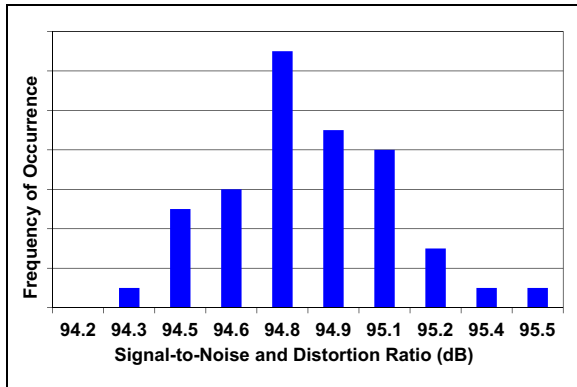


FIGURE 2-7: SNR Histogram.

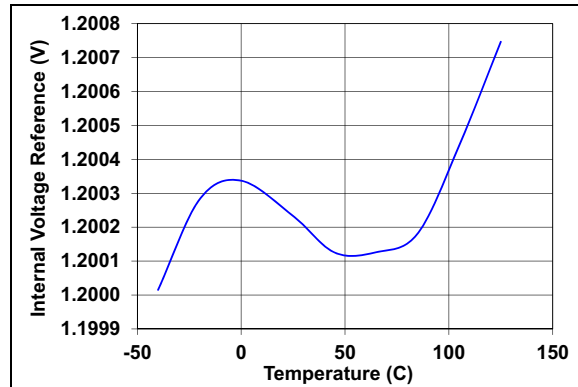


FIGURE 2-10: Internal Voltage Reference vs. Temperature.



FIGURE 2-8: SINAD vs. Temperature.



FIGURE 2-9: Gain Error vs. Temperature.

## 3.0 PIN DESCRIPTION

The description of the pins are listed in [Table 3-1](#).

**TABLE 3-1: PIN FUNCTION TABLE**

| MCP39F511<br>5x5 QFN | Symbol                    | Function  |
|----------------------|---------------------------|---|
| 1                    | EVENT1                    | Event 1 Output pin  |
| 2, 3, 8, 9           | NC                        | No Connect (must be left floating)  |
| 4                    | UART_RX                   | UART Communication RX pin   |
| 5                    | COMMON <sub>A</sub>       | Common pin A, to be connected to pin 13 (COMMON <sub>B</sub> )              |
| 6                    | OSCI                      | Oscillator Crystal Connection pin or External Clock Input pin               |
| 7                    | OSCO                      | Oscillator Crystal Connection pin   |
| 10                   | $\overline{\text{RESET}}$ | Reset pin for Delta-Sigma ADCs  |
| 11                   | AV <sub>DD</sub>          | Analog Power Supply pin   |
| 12                   | UART_TX                   | UART Communication TX pin   |
| 13                   | COMMON <sub>B</sub>       | Common pin B, to be connected to pin 5 (COMMON <sub>A</sub> )               |
| 14                   | PWM                       | Pulse-Width Modulation (PWM) Output pin                                     |
| 15                   | EVENT2                    | Event 2 Output pin  |
| 16                   | I1+                       | Noninverting Current Channel Input for 24-bit $\Delta\Sigma$ ADC            |
| 17                   | I1-                       | Inverting Current Channel Input for 24-bit $\Delta\Sigma$ ADC               |
| 18                   | V1-                       | Inverting Voltage Channel Input for 24-bit $\Delta\Sigma$ ADC               |
| 19                   | V1+                       | Noninverting Voltage Channel Input for 24-bit $\Delta\Sigma$ ADC            |
| 20                   | AN_IN                     | Analog Input for SAR ADC  |
| 21                   | AGND                      | Analog Ground Pin, return path for internal analog circuitry                |
| 22                   | ZCD                       | Zero Crossing Detection Output  |
| 23                   | REFIN+/OUT                | Noninverting Voltage Reference Input and Internal Reference Output Pin      |
| 24, 27               | D <sub>GND</sub>          | Digital Ground pin, return path for internal digital circuitry              |
| 25                   | DV <sub>DD</sub>          | Digital Power Supply pin  |
| 26                   | $\overline{\text{MCLR}}$  | Master Clear for device   |
| 28                   | $\overline{\text{DR}}$    | Data Ready (must be left floating)  |
| 29                   | EP                        | Exposed Thermal Pad (to be connected to pins 24 and 27 (D <sub>GND</sub> )) |

# MCP39F511

---

## 3.1 Event Output Pins (EVENTn)

These digital output pins can be configured to act as output flags based on various internal raise conditions. Control is modified through the Event Configuration register.

## 3.2 UART Communication Pins (UART\_RX, UART\_TX)

The MCP39F511 device contains an asynchronous full-duplex UART. The UART communication is eight bits with Start and Stop bit. See [Section 4.3 “UART Settings”](#) for more information.

## 3.3 Common Pins (COMMON<sub>A</sub> and <sub>B</sub>)

COMMON<sub>A</sub> and COMMON<sub>B</sub> pins are internal connections for the MCP39F511. These two pins should be connected together in the application.

## 3.4 Oscillator Pins (OSCI/OSCO)

OSCI and OSKO provide the master clock for the device. Appropriate load capacitance should be connected to these pins for proper operation. An optional 4 MHz crystal can be connected to these pins. If a crystal or external clock source is not detected, the device will clock from the internal 4 MHz oscillator.

## 3.5 Reset Pin ( $\overline{\text{RESET}}$ )

This pin is active-low and places the Delta-Sigma ADCs, PGA, internal  $V_{\text{REF}}$  and other blocks associated with the analog front-end in a Reset state when pulled low. This input is Schmitt-triggered.

## 3.6 Analog Power Supply Pin (AV<sub>DD</sub>)

AV<sub>DD</sub> is the power supply pin for the analog circuitry within the MCP39F511.

This pin requires appropriate bypass capacitors and should be maintained to +2.7V and +3.6V for specified operation. It is recommended to use 0.1  $\mu\text{F}$  ceramic capacitors.

## 3.7 Pulse Width Modulator (PWM)

This digital output is a dedicated PWM output that can be controlled through the PWM Frequency and PWM Duty Cycle registers. See [Section 8.0 “Pulse Width Modulation \(PWM\)”](#) for more information.

## 3.8 24-Bit Delta-Sigma ADC Differential Current Channel Input Pins (I1+/I1-)

I1- and I1+ are the two fully-differential current-channel inputs for the Delta-Sigma ADCs.

The linear and specified region of the channels are dependent on the PGA gain. This region corresponds to a differential voltage range of  $\pm 600 \text{ mV}_{\text{PEAK}}/\text{GAIN}$  with  $V_{\text{REF}} = 1.2\text{V}$ .

The maximum absolute voltage, with respect to  $A_{\text{GND}}$ , for each I<sub>n</sub>+/- input pin is  $\pm 1\text{V}$  with no distortion and  $\pm 6\text{V}$  with no breaking after continuous voltage.

## 3.9 24-Bit Delta-Sigma ADC Differential Voltage Channel Inputs (V1-/V1+)

V1- and V1+ are the two fully-differential voltage-channel inputs for the Delta-Sigma ADCs.

The linear and specified region of the channels are dependent on the PGA gain. This region corresponds to a differential voltage range of  $\pm 600 \text{ mV}_{\text{PEAK}}/\text{GAIN}$  with  $V_{\text{REF}} = 1.2\text{V}$ .

The maximum absolute voltage, with respect to  $A_{\text{GND}}$ , for each V<sub>N</sub>+/- input pin is  $\pm 1\text{V}$  with no distortion and  $\pm 2\text{V}$  with no breaking after continuous voltage.

## 3.10 Analog Input (AN\_IN)

This is the input to the analog-to-digital converter that can be used for temperature measurement and compensation. If temperature compensation is required in the application, it is advised to connect the low-power active thermistor IC MCP9700A to this pin. If temperature compensation is not required, this can be used as a general purpose analog-to-digital converter input.

## 3.11 Analog Ground Pin (A<sub>GND</sub>)

A<sub>GND</sub> is the ground connection to internal analog circuitry (ADCs, PGA, voltage reference, POR). If an analog ground pin is available on the PCB, it is recommended that this pin be tied to that plane.

## 3.12 Zero Crossing Detection (ZCD)

This digital output pin is the output of the zero crossing detection circuit of the IC. The output here will be a logic output with edges that transition at each zero crossing of the voltage channel input. For more information see [Section 5.13 “Zero Crossing Detection \(ZCD\)”](#).

### 3.13 Noninverting Reference Input/Internal Reference Output Pin (REFIN+/OUT)

This pin is the noninverting side of the differential voltage reference input for the Delta-Sigma ADCs or the internal voltage reference output.

For optimal performance, bypass capacitances should be connected between this pin and  $A_{GND}$  at all times, even when the internal voltage reference is used. However, these capacitors are not mandatory to ensure proper operation.

### 3.14 Digital Ground Connection Pins ( $D_{GND}$ )

$D_{GND}$  is the ground connection to internal digital circuitry (SINC filters, oscillator, serial interface). If a digital ground plane is available, it is recommended to tie this pin to the digital plane of the PCB. This plane should also reference all other digital circuitry in the system.

### 3.15 Digital Power Supply Pin ( $DV_{DD}$ )

$DV_{DD}$  is the power supply pin for the digital circuitry within the MCP39F511. This pin requires appropriate bypass capacitors and should be maintained between +2.7V and +3.6V for specified operation. It is recommended to use 0.1  $\mu$ F ceramic capacitors.

### 3.16 Data-Ready Pin ( $\overline{DR}$ )

The data-ready pin indicates if a new Delta-Sigma A/D conversion result is ready to be processed. This pin is for indication only and should be left floating. After each conversion is finished, a low pulse will take place on the data-ready pin to indicate the conversion result is ready and an interrupt is generated in the calculation engine (CE). This pulse is synchronous with the line frequency to ensure an integer number of samples for each line cycle.

|   |
|---|
| <b>Note:</b> This pin is internally connected to the IRQ of the calculation engine and should be left floating. |
|---|

### 3.17 Exposed Thermal Pad (EP)

This pin is the exposed thermal pad. It must be connected to pin 24 ( $D_{GND}$ ).

# MCP39F511

---

NOTES:

## 4.0 COMMUNICATION PROTOCOL

The communication protocol for the MCP39F511 device is based on the Simple Sensor Interface (SSI) protocol. This protocol is used for point-to-point communication from a single-host MCU to a single-slave MCP39F511.

All communication to the device occurs in frames. Each frame consists of a header byte, the number of bytes in the frame, command packet (or command packets) and a checksum. It is important to note that the maximum number of bytes in either a receive or transmit frame is 35.

**Note:** If a custom communication protocol is desired, please contact a Microchip sales office.

This approach allows for single, secure transmission from the host processor to the MCP39F511 with either a single command or multiple commands. No command in a frame is processed until the entire frame is complete and the checksum and number of bytes are validated.

The number of bytes in an individual *command packet* depend on the specific command. For example, to set the instruction pointer, three bytes are needed in the packet: the command byte and two bytes for the address you want to set to the pointer. The first byte in a command packet is always the command byte.

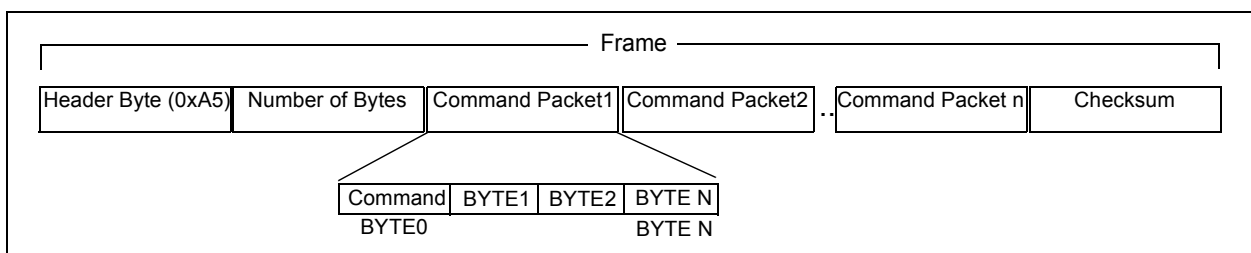
This protocol can also be used to set up transmission from the MCP39F511 on specific registers. A predetermined single-wire transmission frame is defined for one-wire interfaces. The Auto-transmit mode can be initiated by setting the SINGLE\_WIRE bit in the System Configuration register, allowing for single-wire communication within the application. See [Section 4.8 “Single-Wire Transmission Mode”](#) for more information on this communication.

## 4.1 Device Responses

After the reception of a communication frame, the MCP39F511 has three possible responses, which will be returned with or without data, depending on the frame received. These responses are either:

- Acknowledge (ACK, 0x06): Frame received with success, commands understood and commands executed with success.
- Negative Acknowledge (NAK, 0x15): Frame received with success, however commands not executed with success, commands not understood or some other error in the command bytes.
- Checksum Fail (CSFAIL, 0x51): Frame received with success, however the checksum of the frame did not match the bytes in the frame.

**Note:** There is one unique device ID response which is used to determine which MCP39FXXX device is present: [NAK(0x15) + ID\_BYTE]. If the device is interrogated with 0x5A, i.e. it receives 0x5A as the first byte instead of the standard 0xA5 first header byte, a special NAK is returned followed by an ID\_BYTE. For the MCP39F511 the ID\_BYTE is 0x01. This functionality is only present on system versions 0xFA14 and later.



**FIGURE 4-1:** Communication Frame.MCP39F511

# MCP39F511

---

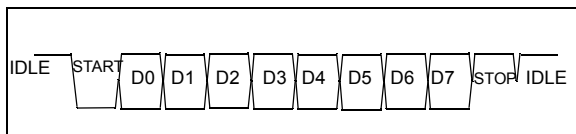
## 4.2 Checksum

The checksum is generated using simple byte addition and taking the modulus to find the remainder after dividing the sum of the entire frame by 256. This operation is done to obtain an 8-bit checksum. All the bytes of the frame are included in the checksum, including the header byte and the number of bytes. If a frame includes multiple command packets, none of the commands will be issued if the frame checksum fails. In this instance, the MCP39F511 will respond with a CSFAIL response of 0x51.

On commands that are requesting data back from the MCP39F511, the frame and checksum are created in the same way, with the header byte becoming an Acknowledge (0x06). Communication examples are given in [Section 4.5 “Example Communication Frames and MCP39F511 Responses”](#).

## 4.3 UART Settings

The default baud rate is 115.2 kbps and can be changed using the UART bits in the [System Configuration Register](#). This is only available on system versions 0xFA14 and later. For previous versions the baud rate is fixed at 115.2k. Note that the baud rate is changed at system power-up, so when changing the baud rate, a `Save To Flash` command followed by a power-on cycle is required. The UART operates in 8-bit mode, plus one start bit and one stop bit, for a total of 10 bits per byte, as shown in [Figure 4-2](#).



**FIGURE 4-2:** *UART Transmission, N-8-1.*



## 4.4 Command List

The following table is a list of all accepted command bytes for the MCP39F511. There are 10 possible accepted commands for the MCP39F511.

**TABLE 4-1: MCP39F511 INSTRUCTION SET**

| Command # | Command                      | Command ID | Instruction Parameter | Number of bytes | Successful Response UART_TX |
|-----------|------------------------------|------------|-----------------------|-----------------|-----------------------------|
| 1         | Register Read, N bytes       | 0x4E       | Number of bytes       | 2               | ACK, Data, Checksum         |
| 2         | Register Write, N bytes      | 0x4D       | Number of bytes       | 1+N             | ACK                         |
| 3         | Set Address Pointer          | 0x41       | ADDRESS               | 3               | ACK                         |
| 4         | Save Registers To Flash      | 0x53       | None                  | 1               | ACK                         |
| 5         | Page Read EEPROM             | 0x42       | PAGE                  | 2               | ACK, Data, Checksum         |
| 6         | Page Write EEPROM            | 0x50       | PAGE                  | 18              | ACK                         |
| 7         | Bulk Erase EEPROM            | 0x4F       | None                  | 1               | ACK                         |
| 8         | Auto-Calibrate Gain          | 0x5A       | None                  |                 | <a href="#">Note 1</a>      |
| 9         | Auto-Calibrate Reactive Gain | 0x7A       | None                  |                 | <a href="#">Note 1</a>      |
| 10        | Auto-Calibrate Frequency     | 0x76       | None                  |                 | <a href="#">Note 1</a>      |

**Note 1:** See [Section 9.0, MCP39F511 Calibration](#) for more information on calibration.

## 4.5 Example Communication Frames and MCP39F511 Responses

Tables 4-2 to 4-11 show exact hexadecimal communication frames as recommended to be sent to the MCP39F511 from the system MCU. The values here can be used as direct examples for writing the code to communicate to the MCP39F511.

**TABLE 4-2: REGISTER READ, N BYTES COMMAND ([Note 1](#))**

| Byte # | Value | Description                      | Response from MCP39F511                          |
|--------|-------|----------------------------------|--|
| 1      | 0xA5  | Header Byte                      |  |
| 2      | 0x08  | Number of Bytes in Frame         |  |
| 3      | 0x41  | Command (Set Address Pointer)    |  |
| 4      | 0x00  | Address High                     |  |
| 5      | 0x02  | Address Low                      |  |
| 6      | 0x4E  | Command (Register Read, N Bytes) |  |
| 7      | 0x20  | Number of Bytes to Read (32)     |  |
| 8      | 0x5E  | Checksum                         | ACK + Number of Bytes (35) + 32 bytes + Checksum |

**Note 1:** This example Register Read, N bytes frame, as it is written here, can be used to poll a subset of the output data, starting at the top, address 0x02, and reading 32 data bytes back or 35 bytes total in the frame.

# MCP39F511

**TABLE 4-3: REGISTER WRITE, N BYTES COMMAND (Note 1)**

| Byte # | Value    | Description                       | Response from MCP39F511 |
|--------|----------|-----------------------------------|-------------------------|
| 1      | 0xA5     | Header Byte                       |                         |
| 2      | 0x25     | Number of Bytes in Frame          |                         |
| 3      | 0x41     | Command (Set Address Pointer)     |                         |
| 4      | 0x00     | Address High                      |                         |
| 5      | 0x82     | Address Low                       |                         |
| 6      | 0x4D     | Command (Register Write, N Bytes) |                         |
| 7      | 0x14     | Number of Bytes to Write (20)     |                         |
| 8-36   | *Data*   | Data Bytes (20 total data bytes)  | ACK                     |
| 37     | Checksum | Checksum                          |                         |

**Note 1:** This Register Write, N Bytes frame, as it is written here, can be used to write the entire set of calibration target data, starting at the top, address 0x82, and continuing to write until the end of this set of registers, 20 bytes later. Note these are not the calibration registers, but the calibration targets which need to be written prior to issuing the auto-calibration target commands. See [Section 9.0 “MCP39F511 Calibration”](#) for more information.

**TABLE 4-4: SET ADDRESS POINTER COMMAND (Note 1)**

| Byte # | Value | Description                   | Response from MCP39F511 |
|--------|-------|-------------------------------|-------------------------|
| 1      | 0xA5  | Header Byte                   |                         |
| 2      | 0x06  | Number of Bytes in Frame      |                         |
| 3      | 0x41  | Command (Set Address Pointer) |                         |
| 4      | 0x00  | Address High                  |                         |
| 5      | 0x02  | Address Low                   |                         |
| 6      | 0xF8  | Checksum                      | ACK                     |

**Note 1:** The Set Address Pointer command is typically included inside of a frame that includes a read or write command, as shown in [Tables 4-2 and 4-3](#). There is typically no reason for this command to have its own frame, but is shown here as an example.

**TABLE 4-5: SAVE TO FLASH COMMAND**

| Byte # | Value | Description              | Response from MCP39F511 |
|--------|-------|--------------------------|-------------------------|
| 1      | 0xA5  | Header Byte              |                         |
| 2      | 0x04  | Number of Bytes in Frame |                         |
| 3      | 0x53  | Command (Save To Flash)  |                         |
| 4      | 0xFC  | Checksum                 | ACK                     |

**TABLE 4-6: PAGE READ EEPROM COMMAND**

| Byte # | Value | Description                | Response from MCP39F511           |
|--------|-------|----------------------------|-----------------------------------|
| 1      | 0xA5  | Header Byte                |                                   |
| 2      | 0x05  | Number of Bytes in Frame   |                                   |
| 3      | 0x42  | Command (Page Read EEPROM) |                                   |
| 4      | 0x01  | Page Number (e.g. 1)       |                                   |
| 5      | 0xF8  | Checksum                   | ACK + EEPROM Page Data + Checksum |

**TABLE 4-7: PAGE WRITE EEPROM COMMAND**

| Byte # | Value    | Description                 | Response from MCP39F511 |
|--------|----------|-----------------------------|-------------------------|
| 1      | 0xA5     | Header Byte                 |                         |
| 2      | 0x15     | Number of Bytes in Frame    |                         |
| 3      | 0x50     | Command (Page Write EEPROM) |                         |
| 4      | 0x01     | Page Number (e.g. 1)        |                         |
| 5-20   | *Data*   | EEPROM Data (16 bytes/Page) |                         |
| 21     | Checksum | Checksum                    | ACK                     |

**TABLE 4-8: BULK ERASE EEPROM COMMAND**

| Byte # | Value | Description                 | Response from MCP39F511 |
|--------|-------|-----------------------------|-------------------------|
| 1      | 0xA5  | Header Byte                 |                         |
| 2      | 0x04  | Number of Bytes in Frame    |                         |
| 3      | 0x4F  | Command (Bulk Erase EEPROM) |                         |
| 4      | 0xF8  | Checksum                    | ACK                     |

**TABLE 4-9: AUTO-CALIBRATE GAIN COMMAND**

| Byte #   | Value | Description                   | Response from MCP39F511                          |
|--|-------|-------------------------------|--|
| 1  | 0xA5  | Header Byte                   |  |
| 2  | 0x04  | Number of Bytes in Frame      |  |
| 3  | 0x5A  | Command (Auto-Calibrate Gain) |  |
| 4  | 0x03  | Checksum                      | ACK (or NAK if unable to calibrate) <sup>1</sup> |
| <b>Note 1:</b> See <a href="#">Section 9.0 “MCP39F511 Calibration”</a> for more information. |       |                               |  |

**TABLE 4-10: AUTO-CALIBRATE REACTIVE GAIN COMMAND**

| Byte #   | Value | Description                            | Response from MCP39F511                          |
|--|-------|--|--|
| 1  | 0xA5  | Header Byte                            |  |
| 2  | 0x04  | Number of Bytes in Frame               |  |
| 3  | 0x7A  | Command (Auto-Calibrate Reactive Gain) |  |
| 4  | 0x23  | Checksum                               | ACK (or NAK if unable to calibrate) <sup>1</sup> |
| <b>Note 1:</b> See <a href="#">Section 9.0 “MCP39F511 Calibration”</a> for more information. |       |  |  |

**TABLE 4-11: AUTO-CALIBRATE FREQUENCY COMMAND**

| Byte #   | Value | Description                        | Response from MCP39F511                          |
|--|-------|------------------------------------|--|
| 1  | 0xA5  | Header Byte                        |  |
| 2  | 0x04  | Number of Bytes in Frame           |  |
| 3  | 0x76  | Command (Auto-Calibrate Frequency) |  |
| 4  | 0x1F  | Checksum                           | ACK (or NAK if unable to calibrate) <sup>1</sup> |
| <b>Note 1:</b> See <a href="#">Section 9.0 “MCP39F511 Calibration”</a> for more information. |       |                                    |  |

# MCP39F511

---

## 4.6 Command Descriptions

### 4.6.1 REGISTER READ, N BYTES (0x4E)

The `Register Read, N bytes` command returns the N bytes that follow whatever the current address pointer is set to. It should typically follow a `Set Address Pointer` command and can be used in conjunction with other read commands. An `Acknowledge, Data and Checksum` is the response for this command. The maximum number of bytes that can be read with this command is 32. If there are other read commands within a frame, the maximum number of bytes that can be read is 32 minus the number of bytes being read in the frame. With this command, the data is returned LSB first.

### 4.6.2 REGISTER WRITE, N BYTES (0x4D)

The `Register Write, N bytes` command is followed by N bytes that will be written to whatever the current address pointer is set to. It should typically follow a `Set Address Pointer` command and can be used in conjunction with other write commands. An `Acknowledge` is the response for this command. The maximum number of bytes that can be written with this command is 32. If there are other write commands within a frame, the maximum number of bytes that can be written is 32 minus the number of bytes being written in the frame. With this command, the data is written LSB first.

### 4.6.3 SET ADDRESS POINTER (0x41)

This command is used to set the address pointer for all read and write commands. This command is expecting the address pointer as the command parameter in the following two bytes, `Address High Byte` followed by `Address Low Byte`. The address pointer is two bytes in length. If the address pointer is within the acceptable addresses of the device, an `Acknowledge` will be returned.

### 4.6.4 SAVE REGISTERS TO FLASH (0x53)

The `Save Registers To Flash` command makes a copy of all the calibration and configuration registers to flash. This includes all R/W registers in the register set. The response to this command is an `Acknowledge`.

### 4.6.5 PAGE READ EEPROM (0x42)

The `Page Read EEPROM` command returns 16 bytes of data that are stored in an individual page on the MCP39F511. A more complete description of the memory organization of the EEPROM can be found in [Section 10.0 “EEPROM”](#). This command is expecting the EEPROM page as the command parameter or the following byte. The response to this command is an `Acknowledge, 16-bytes of data and CRC Checksum`.

### 4.6.6 PAGE WRITE EEPROM (0x50)

The `Page Write EEPROM` command is expecting 17 additional bytes in the command parameters, which are EEPROM page plus 16 bytes of data. A more complete description of the memory organization of the EEPROM can be found in [Section 10.0 “EEPROM”](#). The response to this command is an `Acknowledge`.

### 4.6.7 BULK ERASE EEPROM (0x4F)

The `Bulk Erase EEPROM` command will erase the entire EEPROM array and return it to a state of 0xFFFF for each memory location of EEPROM. A more complete description of the memory organization of the EEPROM can be found in [Section 10.0 “EEPROM”](#). The response to this command is `Acknowledge`.

### 4.6.8 AUTO-CALIBRATE GAIN (0x5A)

The `Auto-Calibrate Gain` command initiates the single-point calibration that is all that is typically required for the system. This command calibrates the RMS current, RMS voltage and Active power based on the target values written in the corresponding registers. See [Section 9.0 “MCP39F511 Calibration”](#) for more information on device calibration. The response to this command is `Acknowledge`.

### 4.6.9 AUTO-CALIBRATE REACTIVE POWER GAIN (0x7A)

The `Auto-Calibrate Reactive Gain` command initiates a single-point calibration to match the measured Reactive power to the target Reactive power. This is typically done at PF = 0.5. See [Section 9.0 “MCP39F511 Calibration”](#) for more information on device calibration.

### 4.6.10 AUTO-CALIBRATE FREQUENCY (0x76)

For applications not using an external crystal and running the MCP39F511 off the internal oscillator, a gain calibration to the line frequency indication is required. The `Gain Line Frequency` register is set such that the frequency indication matches what is set in the `Line Frequency Reference` register. See [Section 9.0 “MCP39F511 Calibration”](#) for more information on device calibration.

## 4.7 Notation for Register Types

The following notation has been adopted for describing the various registers used in the MCP39F511:

**TABLE 4-12: SHORT-HAND NOTATION FOR REGISTER TYPES**

| Notation | Description  |
|----------|--|
| u64      | Unsigned, 64-bit register                                |
| u32      | Unsigned, 32-bit register                                |
| s32      | Signed, 32-bit register                                  |
| u16      | Unsigned, 16-bit register                                |
| s16      | Signed, 16-bit register                                  |
| b32      | 32-bit register containing discrete Boolean bit settings |

## 4.8 Single-Wire Transmission Mode

In Single-Wire Transmission mode, at the end of each computation cycle, the device automatically transmits a frame of power data. This allows for single-wire communication after the device has been configured.

The single-wire transmission frame consists of 20 bytes: three Header Bytes, one Checksum and 16 bytes of power data (including RMS current, RMS voltage, Active Power, Reactive Power and Line Frequency).

**TABLE 4-13: SINGLE-WIRE TRANSMISSION FRAME (Note 2)**

| #  | Byte                    |
|----|-------------------------|
| 1  | HEADERBYTE (0xAB)       |
| 2  | HEADERBYTE2 (0xCD)      |
| 3  | HEADERBYTE3 (0xEF)      |
| 4  | CURRENT RMS – Byte 0    |
| 5  | CURRENT RMS – Byte 1    |
| 6  | CURRENT RMS – Byte 2    |
| 7  | CURRENT RMS – Byte 3    |
| 8  | VOLTAGE RMS – Byte 0    |
| 9  | VOLTAGE RMS – Byte 1    |
| 10 | ACTIVE POWER – Byte 0   |
| 11 | ACTIVE POWER – Byte 1   |
| 12 | ACTIVE POWER – Byte 2   |
| 13 | ACTIVE POWER – Byte 3   |
| 14 | REACTIVE POWER – Byte 0 |
| 15 | REACTIVE POWER – Byte 1 |
| 16 | REACTIVE POWER – Byte 2 |
| 17 | REACTIVE POWER – Byte 3 |
| 18 | LINE FREQUENCY – Byte 0 |
| 19 | LINE FREQUENCY – Byte 1 |
| 20 | CHECKSUM                |

**2:** For custom single-wire transmission packets, contact a Microchip sales office.

# MCP39F511

---

NOTES:

## 5.0 CALCULATION ENGINE (CE) DESCRIPTION

### 5.1 Computation Cycle Overview

The MCP39F511 uses a coherent sampling algorithm to phase lock the sampling rate to the line frequency with an integer number of samples per line cycle, and reports all power output quantities at a  $2^N$  number of line cycles. This is defined as a computation cycle and is dependent on the line frequency, so any change in the line frequency will change the update rate of the power outputs.

### 5.2 Accumulation Interval Parameter

The accumulation interval is defined as an  $2^N$  number of line cycles, where N is the value in the Accumulation Interval Parameter register.

### 5.3 Raw Voltage and Currents Signal Conditioning

The first set of signal conditioning that occurs inside the MCP39F511 is shown in Figure 5-1. All conditions set in this diagram effect all of the output registers (RMS current, RMS voltage, Active power, Reactive power, Apparent power, etc.). The gain of the PGA, the Shutdown and Reset status of the 24-bit ADCs are all controlled through the [System Configuration Register](#).

For DC applications, offset can be removed by using the DC Offset Current register. To compensate for any external phase error between the current and voltage channels, the Phase Compensation register can be used.

See [Section 9.0 “MCP39F511 Calibration”](#) for more information on device calibration.

### 5.4 RMS Current and RMS Voltage

The MCP39F511 device provides true RMS measurements. The MCP39F511 device has two simultaneous sampling 24-bit A/D converters for the current and voltage measurements. The root mean square calculations are performed on  $2^N$  current and voltage samples, where N is defined by the register Accumulation Interval Parameter.

#### EQUATION 5-1: RMS CURRENT AND VOLTAGE

$$I_{RMS} = \sqrt{\frac{\sum_{n=0}^{2^N-1} (i_n)^2}{2^N}} \quad V_{RMS} = \sqrt{\frac{\sum_{n=0}^{2^N-1} (v_n)^2}{2^N}}$$

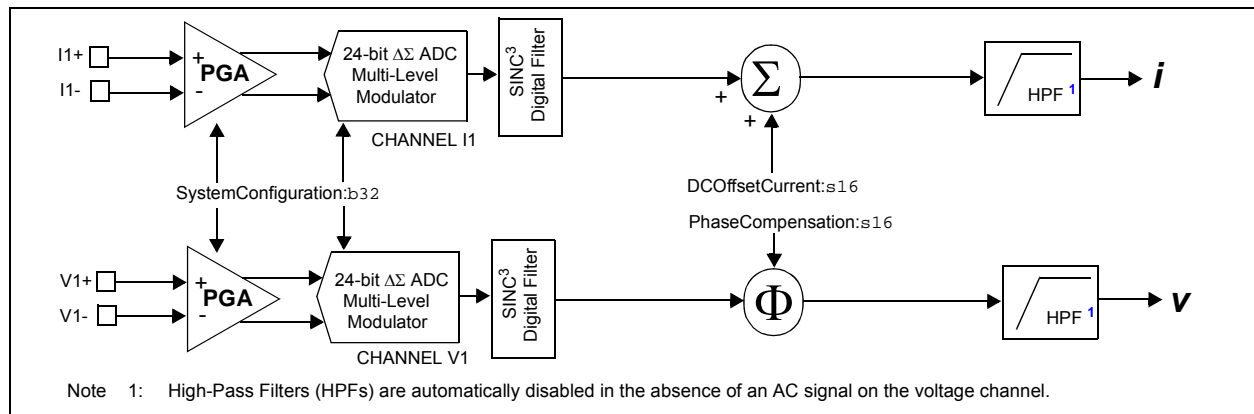
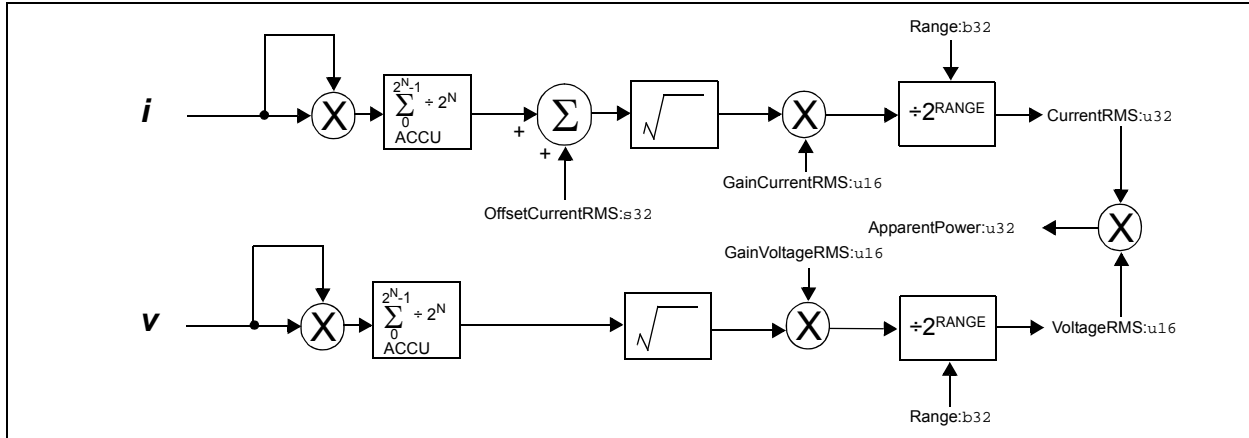


FIGURE 5-1: Channel I1 and V1 Signal Flow.

# MCP39F511

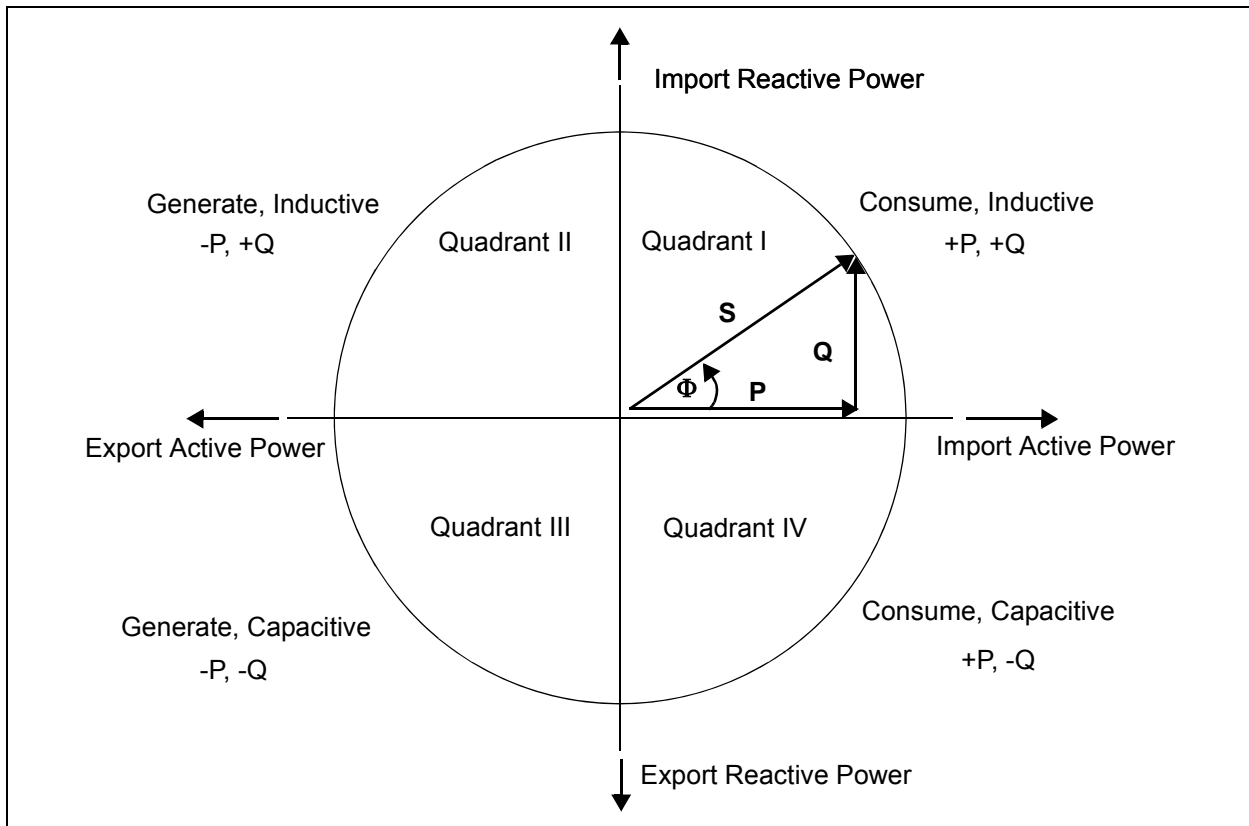


**FIGURE 5-2:** RMS Current and Voltage Calculation Signal Flow.

## 5.5 Power and Energy

The MCP39F511 offers signed power numbers for Active and Reactive power, import and export registers for active energy, and four-quadrant Reactive power measurement. For this device, import power or energy

is considered positive (power or energy being consumed by the load), and export power or energy is considered negative (power or energy being delivered by the load). The following figure represents the measurements obtained by the MCP39F511.



**FIGURE 5-3:** The Power Circle and Triangle ( $S =$  Apparent,  $P =$  Active,  $Q =$  Reactive).



## 5.6 Energy Accumulation

Energy accumulation for all four energy registers (import/export, active/reactive) occurs at the end of each computation cycle, if the energy accumulation has been turned on. See [Section 6.3 “System Status Register”](#) on the energy control register. A no-load threshold test is done to make sure the measured energy is not below the no-load threshold, if it is above, the accumulation occurs with a default energy resolution of 1mWh for all of the energy registers.

### 5.6.1 NO-LOAD THRESHOLD

The no-load threshold is set by modifying the value in the No-Load Threshold register. The unit for this register is power with a default resolution of 0.01W. The default value is 100 or 1.00W. Any power that is below 1W will not be accumulated into any of the energy registers.

## 5.7 Apparent Power (S)

This 32-bit register is the output register for the final Apparent power indication. It is the product of RMS current and RMS voltage as shown in [Equation 5-2](#).

### EQUATION 5-2: APPARENT POWER (S)

$$S = I_{RMS} \times V_{RMS}$$

For scaling of the Apparent power indication, the calculation engine uses the register Apparent Power Divisor. This is described in the following register operations, per [Equation 5-3](#).

### EQUATION 5-3: APPARENT POWER (S)

$$S = \frac{Current_{RMS} \times Voltage_{RMS}}{10^{ApparentPowerDivisor}}$$

## 5.8 Active Power (P)

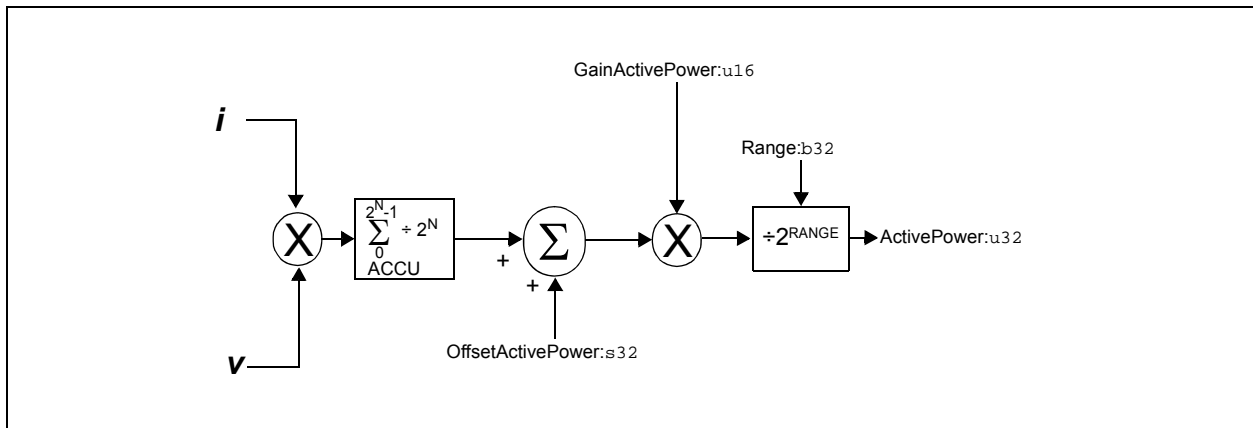
The MCP39F511 has two simultaneous sampling A/D converters. For the Active power calculation, the instantaneous current and instantaneous voltages are multiplied together to create instantaneous power. This instantaneous power is then converted to Active power by averaging or calculating the DC component.

[Equation 5-4](#) controls the number of samples used in this accumulation prior to updating the Active Power output register.

Please note that although this register is unsigned, the direction of the Active power (import or export) can be determined by the Active Power Sign bit located in the [System Status Register](#).

### EQUATION 5-4: ACTIVE POWER

$$P = \frac{1}{2^N} \sum_{k=0}^{2^N-1} V_k \times I_k$$



**FIGURE 5-4:** Active Power Calculation Signal Flow.

# MCP39F511

## 5.9 Power Factor (PF)

Power factor is calculated by the ratio of P to S or Active power divided by Apparent power.

Please note that although this register is unsigned, the direction of the power can be determined by the reactive power sign bit in the system status register.

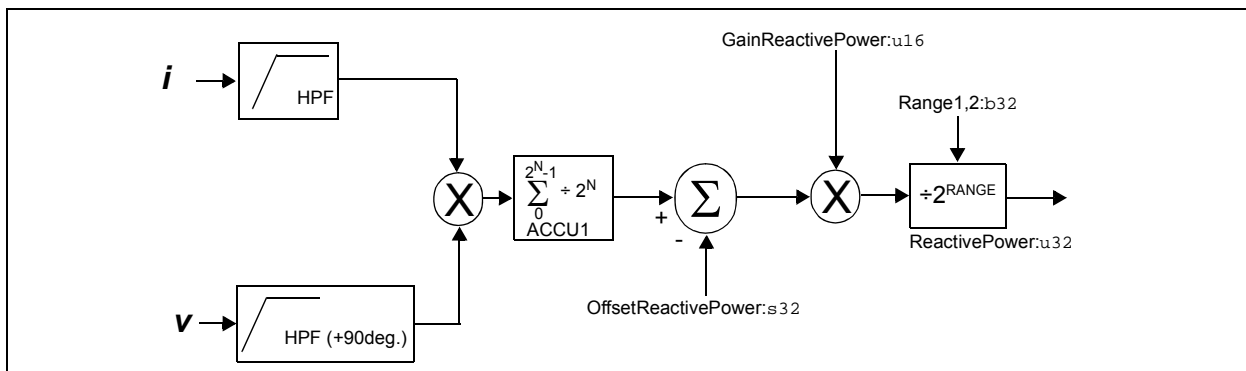
### EQUATION 5-5: POWER FACTOR

$$PF = \frac{P}{S}$$

The Power Factor Reading is stored in a signed 16-bit register (Power Factor). This register is a signed, 2's complement register with the MSB representing the polarity of the power factor. A positive power factor means Active power is being imported, negative power factor represents export Active power. The sign of the reactive power component is used to tell if the current is lagging the voltage, with a positive sign meaning an inductive load, and a negative sign meaning capacitive. Each LSB is then equivalent to a weight of  $2^{-15}$ . A maximum register value of 0x7FFF corresponds to a power factor of 1. The minimum register value of 0x8000 corresponds to a power factor of -1.

## 5.10 Reactive Power (Q)

In the MCP39F511, Reactive Power is calculated using a 90 degree phase shift in the voltage channel. The same accumulation principles apply as with active power where ACCU acts as the accumulator. Any light load or residual power can be removed by using the Offset Reactive Power register. Gain is corrected by the Gain Reactive Power register. The final output is an unsigned 32-bit value located in the Reactive Power register.

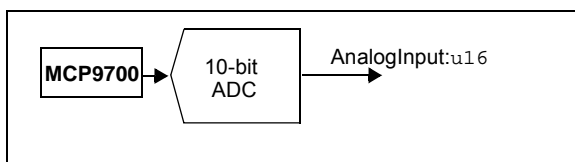


**FIGURE 5-5:** Reactive Power Calculation Signal Flow.

## 5.11 10-Bit Analog Input

The least 10 significant bits of the 16-bit Analog Input register contain the output of the 10-bit ADC. The conversion rate of the analog input occurs once every computation cycle.

The Thermistor Voltage can be used for temperature compensation of the calculation engine. See [Section 9.7 “Temperature Compensation”](#) for more information.



**FIGURE 5-6:** Using an Analog Out-Temperature Sensor for Automatic Temperature Compensation.

## 5.12 Minimum and Maximum Recordings

The MCP39F511 has the ability to record minimum and maximum outputs and keep them in a total of four registers (two minimum and two maximum) based on the value of address pointers located in the four registers listed in this section.

A minimum and maximum test is done after each calculation interval. If the current measurement value of the value directed to by the pointer is smaller or larger than the value in the Minimum or Maximum register, the record is updated appropriately.

The registers are:

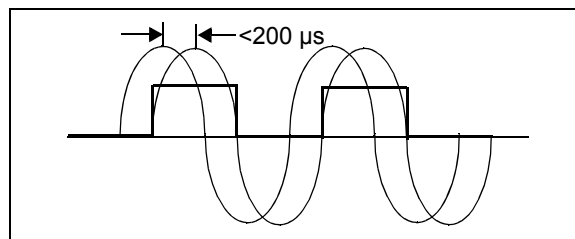
- MinMaxPointer1 → MinimumRecord1, Maximum-Record1
- MinMaxPointer2 → MinimumRecord2, Maximum-Record2

Only the Output Quantity register addresses can be tracked by the Min/Max pointers. Output Quantity registers are defined as those from Voltage RMS to Apparent Power (addresses 0x0006 to 0x001A). All other addresses will be ignored by the calculation engine.

Please note that the 64-bit energy registers can not be tracked through the Minimum and Maximum Recording registers.

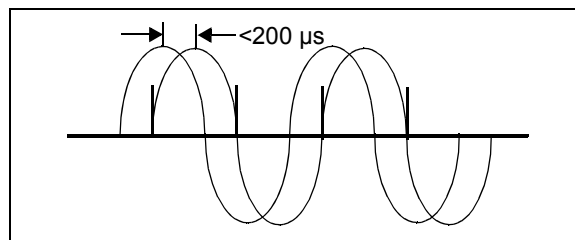
## 5.13 Zero Crossing Detection (ZCD)

The zero crossing detection block generates a logic pulse output on the ZCD pin that is coherent with the zero crossing of the input AC signal present on voltage input pins (V1+, V1-). The ZCD pin can be enabled and disabled by the corresponding bit in the [System Configuration Register](#) register. When enabled, this produces a square wave with a frequency that is equivalent to that of the AC signal present on the voltage input. [Figure 5-7](#) represents the signal on the ZCD pin superimposed with the AC signal present on the voltage input in this mode.



**FIGURE 5-7:** Zero Crossing Detection Operation (Noninverted, Nonpulse).

A second mode is available that produces a 100  $\mu\text{s}$  pulse at each zero crossing, at a frequency that is twice that of the AC signal present on the voltage input, shown in [Figure 5-8](#).



**FIGURE 5-8:** Zero Crossing Detection Operation (Noninverted, Pulsed).

Switching modes is done by setting the corresponding bit in the [System Configuration Register](#). In addition, either the toggling of this pin, or the pulse, can be inverted. The ZCD Inversion bit is also in the System Configuration register.

There are two bits in the System Configuration register that can be used to modify the zero crossing. The zero crossing output can be inverted by setting the Inversion bit, or the zero crossing can be a 100  $\mu\text{s}$  pulse at each zero crossing, by setting the Pulse bit.

Note that a low-pass filter is included in the signal path that allows the zero crossing detection circuit to filter out the fundamental frequency. An internal compensation circuit is then used to gain back the phase delay introduced by the low-pass filter resulting in a latency of less than 200  $\mu\text{s}$ .

# MCP39F511

---

NOTES:

## 6.0 REGISTER DESCRIPTIONS

### 6.1 Complete Register Map

The following table describes the registers for the MCP39F511 device.

**TABLE 6-1: MCP39F511 REGISTER MAP**

| Address                 | Register Name                  | Section Number | Read/Write | Data Type | Description   |
|-------------------------|--------------------------------|----------------|------------|-----------|---|
| <b>Output Registers</b> |                                |                |            |           |   |
| 0x0000                  | Instruction Pointer            | 6.2            | R          | u16       | Address pointer for read or write commands  |
| 0x0002                  | System Status                  | 6.3            | R          | b16       | System Status Register  |
| 0x0004                  | System Version                 | 6.3            | R          | u16       | System version date code information for MCP39F511, set at the Microchip factory; format YMDD |
| 0x0006                  | Voltage RMS                    | 5.4            | R          | u16       | RMS Voltage output  |
| 0x0008                  | Line Frequency                 | 9.6            | R          | u16       | Line Frequency output   |
| 0x000A                  | Analog Input Voltage           | 5.11           | R          | u16       | Output of the 10-bit SAR ADC  |
| 0x000C                  | Power Factor                   | 5.9            | R          | s16       | Power Factor output   |
| 0x000E                  | Current RMS                    | 5.4            | R          | u32       | RMS Current output  |
| 0x0012                  | Active Power (Note 1)          | 5.8            | R          | u32       | Active Power output   |
| 0x0016                  | Reactive Power (Note 1)        | 5.10           | R          | u32       | Reactive Power output   |
| 0x001A                  | Apparent Power                 | 5.7            | R          | u32       | Apparent Power output   |
| 0x001E                  | Import Active Energy Counter   | 5.6            | R          | u64       | Accumulator for Active Energy, Import   |
| 0x0026                  | Export Active Energy Counter   | 5.6            | R          | u64       | Accumulator for Active Energy, Export   |
| 0x002E                  | Import Reactive Energy Counter | 5.6            | R          | u64       | Accumulator for Reactive Energy, Import   |
| 0x0036                  | Export Reactive Energy Counter | 5.6            | R          | u64       | Accumulator for Reactive Energy, Export   |
| 0x003E                  | Minimum Record 1               | 5.12           | R          | u32       | Minimum Value of the Output Quantity Address in Min/Max Pointer 1 Register                    |
| 0x0042                  | Minimum Record 2               | 5.12           | R          | u32       | Minimum Value of the Output Quantity Address in Min/Max Pointer 2 Register                    |
| 0x0046                  | Reserved                       | —              | R          | u32       | Reserved  |
| 0x004A                  | Reserved                       | —              | R          | u32       | Reserved  |
| 0x004E                  | Maximum Record 1               | 5.12           | R          | u32       | Maximum Value of the Output Quantity Address in Min/Max Pointer 1 Register                    |
| 0x0052                  | Maximum Record 2               | 5.12           | R          | u32       | Maximum Value of the Output Quantity Address in Min/Max Pointer 2 Register                    |
| 0x0056                  | Reserved                       | —              | R          | u32       | Reserved  |
| 0x005A                  | Reserved                       | —              | R          | u32       | Reserved  |

- Note 1:** The registers are unsigned, however their sign is kept as a separate bit in the System Status Register.
- 2:** These registers are reserved for EMI filter compensation when necessary for power supply monitoring. They may require specific adjustment depending on PSU parameters, please contact the local Microchip office for further support.
- 3:** The Overtemperature event is only available on system versions 0xFA14 and later.

# MCP39F511

**TABLE 6-1: MCP39F511 REGISTER MAP (CONTINUED)**

| Address                               | Register Name                   | Section Number | Read/Write | Data Type | Description   |
|---------------------------------------|---------------------------------|----------------|------------|-----------|---|
| <b>Calibration Registers</b>          |                                 |                |            |           |   |
| 0x005E                                | Calibration Register Delimiter  | 9.8            | R/W        | u16       | May be used to initiate loading of the default calibration coefficients at start-up     |
| 0x0060                                | Gain Current RMS                | 9.3.1          | R/W        | u16       | Gain Calibration Factor for RMS Current   |
| 0x0062                                | Gain Voltage RMS                | 9.3.1          | R/W        | u16       | Gain Calibration Factor for RMS Voltage   |
| 0x0064                                | Gain Active Power               | 9.3.1          | R/W        | u16       | Gain Calibration Factor for Active Power  |
| 0x0066                                | Gain Reactive Power             | 9.3            | R/W        | u16       | Gain Calibration Factor for Reactive Power  |
| 0x0068                                | Offset Current RMS              | 9.5.1          | R/W        | s32       | Offset Calibration Factor for RMS Current   |
| 0x006C                                | Offset Active Power             | 9.5.1          | R/W        | s32       | Offset Calibration Factor for Active Power  |
| 0x0070                                | Offset Reactive Power           | 9.5.1          | R/W        | s32       | Offset Calibration Factor for Reactive Power  |
| 0x0074                                | DC Offset Current               | 9.5.2          | R/W        | s16       | Offset Calibration Factor for DC Current  |
| 0x0076                                | Phase Compensation              | 9.4            | R/W        | s16       | Phase Compensation  |
| 0x0078                                | Apparent Power Divisor          | 5.7            | R/W        | u16       | Number of Digits for apparent power divisor to match $I_{RMS}$ and $V_{RMS}$ resolution |
| <b>Design Configuration Registers</b> |                                 |                |            |           |   |
| 0x007A                                | System Configuration            | 6.5            | R/W        | b32       | Control for device configuration, including ADC configuration                           |
| 0x007E                                | Event Configuration             | 7.0            | R/W        | b16       | Settings for the Event pins including Relay Control                                     |
| 0x0082                                | Range                           | 6.6            | R/W        | b32       | Scaling factor for Outputs  |
| 0x0086                                | Calibration Current             | 9.3.1          | R/W        | u32       | Target Current to be used during single-point calibration                               |
| 0x008A                                | Calibration Voltage             | 9.3.1          | R/W        | u16       | Target Voltage to be used during single-point calibration                               |
| 0x008C                                | Calibration Power Active        | 9.3.1          | R/W        | u32       | Target Active Power to be used during single-point calibration                          |
| 0x0090                                | Calibration Power Reactive      | 9.3.1          | R/W        | u32       | Target Active Power to be used during single-point calibration                          |
| 0x0094                                | Line Frequency Reference        | 9.6.1          | R/W        | u16       | Reference Value for the nominal line frequency  |
| 0x0096                                | Reserved                        | —              | —          | u32       | Reserved  |
| 0x009A                                | Reserved                        | —              | —          | u32       | Reserved  |
| 0x009E                                | Accumulation Interval Parameter | 5.10           | R/W        | u16       | N for $2^N$ number of line cycles to be used during a single computation cycle          |
| 0x00A0                                | Voltage Sag Limit               | 7.2.2          | R/W        | u16       | RMS Voltage threshold at which an event flag is recorded                                |
| 0x00A2                                | Voltage Surge Limit             | 7.2.2          | R/W        | u16       | RMS Voltage threshold at which an event flag is recorded                                |
| 0x00A4                                | Overcurrent Limit               | 7.2            | R/W        | u32       | RMS Current threshold at which an event flag is recorded                                |
| 0x00A8                                | Overpower Limit                 | 7.2            | R/W        | u32       | Active Power Limit at which an event flag is recorded                                   |

- Note 1:** The registers are unsigned, however their sign is kept as a separate bit in the System Status Register.
- Note 2:** These registers are reserved for EMI filter compensation when necessary for power supply monitoring. They may require specific adjustment depending on PSU parameters, please contact the local Microchip office for further support.
- Note 3:** The Overtemperature event is only available on system versions 0xFA14 and later.

**TABLE 6-1: MCP39F511 REGISTER MAP (CONTINUED)**

| Address  | Register Name                          | Section Number | Read/Write | Data Type | Description  |
|--|--|----------------|------------|-----------|--|
| <b>EMI Filter Compensation Registers (Note 2)</b>                |  |                |            |           |  |
| 0x00AC   | Reserved                               | —              | R          | u16       | Reserved   |
| 0x00AE   | Reserved                               | —              | R          | u16       | Reserved   |
| 0x00B0   | Reserved                               | —              | R          | u16       | Reserved   |
| 0x00B2   | Reserved                               | —              | R          | u16       | Reserved   |
| 0x00B4   | Reserved                               | —              | R          | u16       | Reserved   |
| 0x00B6   | Reserved                               | —              | R          | u16       | Reserved   |
| 0x00B8   | Reserved                               | —              | R          | u16       | Reserved   |
| 0x00BA   | Reserved                               | —              | R          | u16       | Reserved   |
| 0x00BC   | Reserved                               | —              | R          | u16       | Reserved   |
| 0x00BE   | Reserved                               | —              | R          | u16       | Reserved   |
| 0x00C0   | Reserved                               | —              | R          | u16       | Reserved   |
| 0x00C2   | Reserved                               | —              | R          | u16       | Reserved   |
| 0x00C4   | Reserved                               | —              | R          | u16       | Reserved   |
| <b>Temperature Compensation and Peripheral Control Registers</b> |  |                |            |           |  |
| 0x00C6   | Temperature Compensation for Frequency | 9.7            | R/W        | u16       | Correction factor for compensating the line frequency indication overtemperature |
| 0x00C8   | Temperature Compensation for Current   | 9.7            | R/W        | u16       | Correction factor for compensating the Current RMS indication overtemperature    |
| 0x00CA   | Temperature Compensation for Power     | 9.7            | R/W        | u16       | Correction factor for compensating the active power indication overtemperature   |
| 0x00CC   | Ambient Temperature Reference Voltage  | 9.7            | R/W        | u16       | Register for storing the reference temperature during calibration                |
| 0x00CE   | PWM Period                             | 8.2            | R/W        | u16       | Input register controlling PWM Period  |
| 0x00D0   | PWM Duty Cycle                         | 8.3            | R/W        | u16       | Input register controlling PWM Duty Cycle  |
| 0x00D2   | Reserved                               | —              | —          | u16       | Reserved   |
| 0x00D4   | MinMaxPointer1                         | 5.12           | R/W        | u16       | Address Pointer for Min/Max 1 Outputs  |
| 0x00D6   | MinMaxPointer2                         | 5.12           | R/W        | u16       | Address Pointer for Min/Max 2 Outputs  |
| 0x00D8   | Overtemperature Limit (Note 3)         | 7.2.1          | R/W        | u16       | Limit at which an Overtemperature event flag is recorded                         |
| 0x00DA   | Reserved                               | —              | R          | u16       | Reserved   |
| 0x00DC   | Energy Control                         | 5.6            | R/W        | u16       | Input register for reset/start of Energy Accumulation                            |
| 0x00DE   | PWM Control                            | 8.1            | R/W        | u16       | Input register for PWM On/Off and other PWM Controls                             |
| 0x00E0   | No Load Threshold                      | 5.6.1          | R/W        | u16       | No Load Threshold for Energy Counting  |

**Note 1:** The registers are unsigned, however their sign is kept as a separate bit in the System Status Register.

**2:** These registers are reserved for EMI filter compensation when necessary for power supply monitoring. They may require specific adjustment depending on PSU parameters, please contact the local Microchip office for further support.

**3:** The Overtemperature event is only available on system versions 0xFA14 and later.

# MCP39F511

## 6.2 Address Pointer Register

This unsigned 16-bit register contains the address to which all read and write instructions occur. This register is only written through the `Set Address Pointer` command and is otherwise outside the writable range of register addresses.

## 6.3 System Status Register

The System Status register is a read-only register and can be used to detect the various states of pin levels as defined in [Register 6-1](#).

**REGISTER 6-1: SYSTEM STATUS REGISTER**

|        |     |     |     |        |        |     |     |
|--------|-----|-----|-----|--------|--------|-----|-----|
| U-0    | U-0 | U-0 | U-0 | R-x    | R-x    | U-0 | U-0 |
| —      | —   | —   | —   | EVENT2 | EVENT1 | —   | —   |
| bit 15 |     |     |     | bit 8  |        |     |     |

|       |          |         |         |         |         |        |       |
|-------|----------|---------|---------|---------|---------|--------|-------|
| U-0   | R-x      | R-x     | R-x     | R-x     | R-x     | R-x    | R-x   |
| —     | OVERTEMP | SIGN_PR | SIGN_PA | OVERPOW | OVERCUR | VSURGE | VSAG  |
| bit 7 |          |         |         |         |         |        | bit 0 |

**Legend:**

R = Readable bit

W = Writable bit

U = Unimplemented bit, read as '0'

-n = Value at POR

'1' = Bit is set

'0' = Bit is cleared

x = Bit is unknown

bit 15-12 **Unimplemented:** Read as '0'

bit 11 **EVENT2:** State of Event2 Detection algorithm. This bit is latched and must be cleared.  
1 = Event 2 has occurred  
0 = Event 2 has not occurred

bit 10 **EVENT1:** State of Event1 Detection algorithm. This bit is latched and must be cleared.  
1 = Event 1 has occurred  
0 = Event 1 has not occurred

bit 9-7 **Unimplemented:** Read as '0'

bit 6 **OVERTEMP:** State of the Overtemperature Detection Algorithm  
1 = Overtemperature Threshold has been broken  
0 = Overtemperature Threshold has not been broken

bit 5 **SIGN\_PR:** Sign of Reactive Power  
1 = Reactive Power is positive, inductive and is in quadrants 1,2  
0 = Reactive Power is negative, is capacitive and is in quadrants 3,4

bit 4 **SIGN\_PA:** Sign of Active Power (import/export sign of active power)  
1 = Active Power is positive (import) and is in quadrants 1,4  
0 = Active Power is negative (export) and is in quadrants 2,3

bit 3 **OVERPOW:** State of Overpower detection algorithm. An Overpower event has occurred in the system.  
1 = Overpower threshold has been broken  
0 = Overpower threshold has not been broken

bit 2 **OVERCUR:** State of the Overcurrent detection algorithm. An Overcurrent event has occurred in the system.  
1 = Overcurrent threshold has been broken  
0 = Overcurrent threshold has not been broken

bit 1 **VSURGE:** State of Voltage Surge Detection algorithm. This bit is latched and must be cleared.  
1 = Surge threshold has been broken  
0 = Surge threshold has not been broken



## REGISTER 6-1: SYSTEM STATUS REGISTER

bit 0 **VSAG:** State of Voltage Sag Detection algorithm. This bit is latched and must be cleared.  
 1 = Sag threshold has been broken  
 0 = Sag threshold has not been broken

## 6.4 System Version Register

The System Version register is hard-coded by Microchip Technology Incorporated and contains calculation engine date code information. The System Version register is a date code in the YMDD format, with year and month in hex, day in decimal (e.g. 0xFA14 = 2015, October 14th).

## 6.5 System Configuration Register

The System Configuration register contains bits for the following control:

- PGA setting
- ADC Reset State
- ADC Shutdown State
- Voltage Reference Trim
- Single Wire Auto-Transmission

These options are described in the following sections.

### 6.5.1 PROGRAMMABLE GAIN AMPLIFIERS (PGA)

The two Programmable Gain Amplifiers (PGAs) reside at the front-end of each 24-bit Delta-Sigma ADC. They have two functions:

- translate the common mode of the input from  $A_{GND}$  to an internal level between  $A_{GND}$  and  $A_{VDD}$
- amplify the input differential signal

The translation of the common mode does not change the differential signal but enters the common mode so that the input signal can be properly amplified.

The PGA block can be used to amplify very low signals, but the differential input range of the Delta-Sigma modulator must not be exceeded. The PGA is controlled by the PGA\_CHn<2:0> bits in [Register 6-2](#) the System Configuration register. [Table 6-2](#) represents the gain settings for the PGAs.

**TABLE 6-2: PGA CONFIGURATION SETTING (Note 1)**

| Gain<br>PGA_CHn<2:0> |   |   | Gain<br>(V/V) | Gain<br>(dB) | V <sub>IN</sub> Range<br>(V) |
|----------------------|---|---|---------------|--------------|------------------------------|
| 0                    | 0 | 0 | 1             | 0            | ±0.6                         |
| 0                    | 0 | 1 | 2             | 6            | ±0.3                         |
| 0                    | 1 | 0 | 4             | 12           | ±0.15                        |
| 0                    | 1 | 1 | 8             | 18           | ±0.075                       |
| 1                    | 0 | 0 | 16            | 24           | ±0.0375                      |
| 1                    | 0 | 1 | 32            | 30           | ±0.01875                     |

**Note 1:** This table is defined with  $V_{REF} = 1.2V$ .  
 The two undefined settings, 110 and 111 are G=1.

# MCP39F511

## 6.5.2 24-BIT ADC RESET MODE (SOFT RESET MODE)

24-bit ADC Reset mode (also called Soft Reset) can only be entered through setting high the RESET<1:0> bits in the [System Configuration Register](#) register. This mode is defined as the condition where the converters are active but their output is forced to '0'.

## 6.5.3 ADC SHUTDOWN MODE

ADC Shutdown mode is defined as a state where the converters and their biases are OFF, consuming only leakage current. When the Shutdown bit is reset to '0', the analog biases will be enabled, as well as the clock and the digital circuitry.

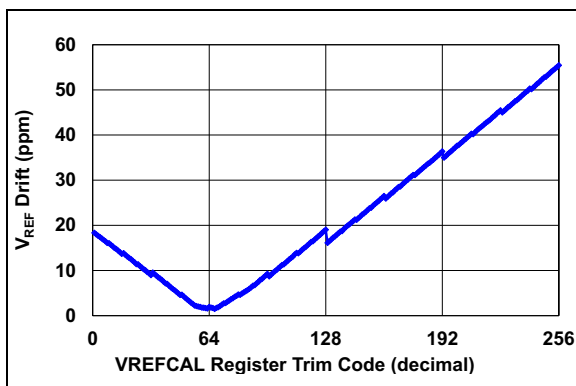
Each converter can be placed in Shutdown mode independently. This mode is only available through programming of the SHUTDOWN<1:0> bits in the [System Configuration Register](#) register.

## 6.5.4 $V_{REF}$ TEMPERATURE COMPENSATION

If desired, the user can calibrate out the temperature drift for ultra-low  $V_{REF}$  drift.

The internal voltage reference comprises a proprietary circuit and algorithm to compensate first-order and second-order temperature coefficients. The compensation allows very low temperature coefficients (typically 10 ppm/°C) on the entire range of temperatures from -40°C to +125°C. This temperature coefficient varies from part to part.

The temperature coefficient can be adjusted on each part through the [System Configuration Register](#) register. The default value of this register is set to 0x42. The typical variation of the temperature coefficient of the internal voltage reference, with respect to VREFCAL register code, is shown in [Figure 6-1](#).



**FIGURE 6-1:**  $V_{REF}$  Tempco vs. VREFCAL Trimcode Chart.

## REGISTER 6-2: SYSTEM CONFIGURATION REGISTER

|                        |            |              |               |                |              |             |        |
|------------------------|------------|--------------|---------------|----------------|--------------|-------------|--------|
| U-0                    | U-0        | R/W-0        | R/W-1         | R/W-1          | R/W-0        | R/W-1       | R/W-1  |
| —                      | —          | PGA_CH1<2:0> |               |                | PGA_CH0<2:0> |             |        |
| bit 31                 |            |              |               |                |              |             | bit 24 |
| R/W-0                  | R/W-1      | R/W-0        | R/W-0         | R/W-0          | R/W-0        | R/W-1       | R/W-0  |
| VREFCAL<7:0>           |            |              |               |                |              |             |        |
| bit 23                 |            |              |               |                |              |             | bit 16 |
| R/W-1                  | R/W-1      | R/W-1        | R/W-0         | R/W-0          | R/W-0        | U-0         | R/W-0  |
| UART<2:0> <sup>1</sup> |            | ZCD_INV      | ZCD_PULS      | ZCD_OUTPUT_DIS | —            | SINGLE_WIRE |        |
| bit 15                 |            |              |               |                |              |             | bit 8  |
| R/W-0                  | R/W-0      | R/W-0        | R/W-0         | R/W-0          | R/W-0        | U-0         | U-0    |
| TEMPCOMP               | RESET<1:0> |              | SHUTDOWN<1:0> |                | VREFEXT      | —           | —      |
| bit 7                  |            |              |               |                |              |             | bit 0  |

### Legend:

R = Readable bit      W = Writable bit      U = Unimplemented bit, read as '0'  
 -n = Value at POR      '1' = Bit is set      '0' = Bit is cleared      x = Bit is unknown

bit 31-30    **Unimplemented:** Read as '0'

bit 29-27    **PGA\_CH1 <2:0>:** PGA Setting for the current channel.

111 = Reserved (Gain = 1)  
 110 = Reserved (Gain = 1)  
 101 = Gain is 32  
 100 = Gain is 16  
 011 = Gain is 8 **(Default)**  
 010 = Gain is 4  
 001 = Gain is 2  
 000 = Gain is 1

bit 26-24    **PGA\_CH0 <2:0>:** PGA Setting for the voltage channel.

111 = Reserved (Gain = 1)  
 110 = Reserved (Gain = 1)  
 101 = Gain is 32  
 100 = Gain is 16  
 011 = Gain is 8 **(Default)**  
 010 = Gain is 4  
 001 = Gain is 2  
 000 = Gain is 1

bit 23-16    **VREFCAL<n>:** Internal voltage reference temperature coefficient register value (See [Section 6.5.4](#) “**V<sub>REF</sub> Temperature Compensation**” for complete description)

bit 15-13    **UART<2:0>:** UART Baud Rate bits (**Note 1**)

111 = 1200  
 110 = 2400  
 101 = 4800  
 100 = 9600  
 011 = 19200  
 010 = 38400  
 001 = 57600  
 000 = 115200 **(Default)**

# MCP39F511

## REGISTER 6-2: SYSTEM CONFIGURATION REGISTER (CONTINUED)

- bit 12     **ZCD\_INV:** Zero Crossing Detection Output Inverse  
 1 = ZCD is inverted  
 0 = ZCD is not inverted (**Default**)
- bit 11     **ZCD\_PULS:** Zero Crossing Detection Pulse mode  
 1 = ZCD output is 100  $\mu$ s pulses on zero crossings  
 0 = ZCD Output changes logic state on zero crossings (**Default**)
- bit 10     **ZCD\_OUTPUT\_DIS:** Disable the Zero Crossing output pin  
 1 = ZCD output is disabled  
 0 = ZCD output is enabled (**Default**)
- bit 9       **Unimplemented:** Read as '0'
- bit 8       **SINGLE\_WIRE:** Single-Wire Enable bit  
 1 = Single-wire transmission is enabled  
 0 = Single-wire transmission is disabled (**Default**)
- bit 7       **TEMPCOMP:** Temperature-Compensation Enable bit  
 1 = Temperature compensation is enabled  
 0 = Temperature compensation is disabled (**Default**)
- bit 6-5     **RESET <1:0>:** Reset mode setting for ADCs  
 11 = Both I1 and V1 are in Reset mode  
 10 = V1 ADC is in Reset mode  
 01 = I1 ADC is in Reset mode  
 00 = Neither ADC is in Reset mode (**Default**)
- bit 4-3     **SHUTDOWN <1:0>:** Shutdown mode setting for ADCs  
 11 = Both I1 and V1 are in Shutdown  
 10 = V1 ADC is in Shutdown  
 01 = I1 ADC is in Shutdown  
 00 = Neither ADC is in Shutdown (**Default**)
- bit 2       **VREFEXT:** Internal Voltage Reference Shutdown Control  
 1 = Internal Voltage Reference Disabled  
 0 = Internal Voltage Reference Enabled (**Default**)
- bit 1-0     **Unimplemented:** Read as '0'

**Note 1:** The UART Baud Rate bits are only available on system version 0xFA14 and later. Previous versions have the baud rate fixed at 115200. The baud rate is only changed at system power-up, so a `Save To Flash` command is required after changing the baud rate.

## REGISTER 6-3: ENERGY ACCUMULATION CONTROL REGISTER

|        |     |     |     |     |     |     |       |
|--------|-----|-----|-----|-----|-----|-----|-------|
| U-0    | U-0 | U-0 | U-0 | U-0 | U-0 | U-0 | U-0   |
| —      | —   | —   | —   | —   | —   | —   | —     |
| bit 15 |     |     |     |     |     |     | bit 8 |

|       |     |     |     |     |     |     |            |
|-------|-----|-----|-----|-----|-----|-----|------------|
| U-0   | U-0 | U-0 | U-0 | U-0 | U-0 | U-0 | R/W-0      |
| —     | —   | —   | —   | —   | —   | —   | ENRG_CNTRL |
| bit 7 |     |     |     |     |     |     | bit 0      |

### Legend:

|                   |                  |   |
|-------------------|------------------|---|
| R = Readable bit  | W = Writable bit | U = Unimplemented bit, read as '0'          |
| -n = Value at POR | '1' = Bit is set | '0' = Bit is cleared     x = Bit is unknown |

- bits 15-1   **Unimplemented:** Read as '0'
- bit 0       **ENRG\_CNTRL:** Energy Accumulation Control bit  
 1 = Energy is ON and all registers are accumulating  
 0 = Energy accumulation is turned off and all energy accumulation registers are reset to 0 (**Default**)

## 6.6 Range Register

The Range register is a 32-bit register that contains the number of right-bit shifts for the following outputs, divided into separate bytes defined below:

- RMS Current
- RMS Voltage
- Power (Active, Reactive, Apparent)

Note that the Power Range Byte operates across both the active and reactive output registers and sets the same scale.

The purpose of this register is two-fold: the number of right-bit shifting (division by  $2^{\text{RANGE}}$ ) must be:

- high enough to prevent overflow in the output register,
- low enough to allow for the desired output resolution.

It is the user's responsibility to set this register correctly to ensure proper output operation for a given meter design.

For further information and example usage, see [Section 9.3 "Single-Point Gain Calibrations at Unity Power Factor"](#).

### REGISTER 6-4: RANGE REGISTER

|        |     |     |     |        |     |     |     |
|--------|-----|-----|-----|--------|-----|-----|-----|
| U-0    | U-0 | U-0 | U-0 | U-0    | U-0 | U-0 | U-0 |
| —      | —   | —   | —   | —      | —   | —   | —   |
| bit 31 |     |     |     | bit 24 |     |     |     |

|            |       |       |       |        |       |       |       |
|------------|-------|-------|-------|--------|-------|-------|-------|
| R/W-0      | R/W-0 | R/W-0 | R/W-1 | R/W-0  | R/W-0 | R/W-1 | R/W-1 |
| POWER<7:0> |       |       |       |        |       |       |       |
| bit 23     |       |       |       | bit 16 |       |       |       |

|              |       |       |       |       |       |       |       |
|--------------|-------|-------|-------|-------|-------|-------|-------|
| R/W-0        | R/W-0 | R/W-0 | R/W-0 | R/W-1 | R/W-1 | R/W-0 | R/W-0 |
| CURRENT<7:0> |       |       |       |       |       |       |       |
| bit 15       |       |       |       | bit 8 |       |       |       |

|              |       |       |       |       |       |       |       |
|--------------|-------|-------|-------|-------|-------|-------|-------|
| R/W-0        | R/W-0 | R/W-0 | R/W-1 | R/W-0 | R/W-0 | R/W-1 | R/W-0 |
| VOLTAGE<7:0> |       |       |       |       |       |       |       |
| bit 7        |       |       |       | bit 0 |       |       |       |

#### Legend:

|                   |                  |  |
|-------------------|------------------|--|
| R = Readable bit  | W = Writable bit | U = Unimplemented bit, read as '0'           |
| -n = Value at POR | '1' = Bit is set | '0' = Bit is cleared      x = Bit is unknown |

bit 31-24      **Unimplemented:** Read as '0'

bit 23-16      **POWER<7:0>:** Sets the number of right-bit shifts for the Active and Reactive Power output registers

bit 15-8      **CURRENT<7:0>:** Sets the number of right-bit shifts for the Current RMS output register

bit 7-0      **VOLTAGE<7:0>:** Sets the number of right-bit shifts for the Voltage RMS output register

# MCP39F511

---

NOTES:

## 7.0 EVENT OUTPUT PINS/EVENT CONFIGURATION REGISTER

### 7.1 Event Pins

The MCP39F511 device has two event pins that can be configured in three possible configurations. These configurations are:

1. No event is mapped to the pin
2. Voltage Surge, Voltage Sag, Overcurrent, Over-temperature or Overpower event is mapped to the pin. More than one event can be mapped to the same pin.
3. Manual control of two pins, independently

These three configurations allow for the control of external interrupts or hardware that is dependent on the measured power, current or voltage. The Event Configuration Register below describes how these events and pins can be configured.

**Note:** If an event is mapped to a pin, manual control of the respective pin is not possible. To enable manual control, no event has to be mapped to the pin.

### 7.2 Limits

There are five limit registers associated with these events:

- Overtemperature limit. The overtemperature event is only available on system versions 0xFA14 and later.
- Voltage Sag limit
- Voltage Surge limit
- Overcurrent limit
- Overpower limit

Each of these limits are compared to the respective output registers of voltage, current and power. It is recommended that they have the same unit for comparison, e.g. 0.1V, or 0.01W.

#### 7.2.1 OVERTEMPERATURE LIMIT

The Overtemperature Limit register is compared to the 10-bit SAR output (analog input voltage register) and is a number between 0 and 1023.

When the threshold has been passed the corresponding event flags and event pins (if mapped) will be set.

#### 7.2.2 VOLTAGE SAG AND VOLTAGE SURGE DETECTION

The event alarms for Voltage Sag and Voltage Surge work differently compared to the Overcurrent and Overpower events, which are tested against every computation cycle. These two event alarms are designed to provide a much faster interrupt if the condition occurs. Note that neither of these two events have a respective Hold register associated with them, since the detection time is less than one line cycle.

The calculation engine keeps track of a trailing mean square of the input voltage, as defined by the following equation:

**EQUATION 7-1:**

$$V_{SA} = \frac{2 \times f_{LINE}}{f_{SAMPLE}} \times \left[ \sum_{n = -\frac{f_{SAMPLE}}{2 \times f_{LINE}} - 1}^0 V_n \right]^2$$

Therefore, at each data-ready occurrence, the value of  $V_{SA}$  is compared to the programmable threshold set in the Voltage Sag Limit register and Voltage Surge Limit register to determine if a flag should be set. If either of these events are masked to either the Event1 or Event2 pin, a logic-high interrupt will be given on these pins.

The Sag or Surge events can be used to quickly determine if a power failure has occurred in the system.

# MCP39F511

## REGISTER 7-1: EVENT CONFIGURATION REGISTER

|        |     |     |                             |                             |                            |                          |                           |
|--------|-----|-----|-----------------------------|-----------------------------|----------------------------|--------------------------|---------------------------|
| U-0    | U-0 | U-0 | R/W-0                       | R/W-0                       | R/W-0                      | R/W-0                    | R/W-0                     |
| —      | —   | —   | OVER-TEMP_PIN2 <sup>1</sup> | OVER-TEMP_PIN1 <sup>1</sup> | OVERTEMP_CL <sup>1,2</sup> | OVERTEMP_LA <sup>1</sup> | OVERTEMP_TST <sup>1</sup> |
| bit 31 |     |     |                             |                             |                            |                          | bit 24                    |

|               |               |             |           |                         |                         |                      |                      |
|---------------|---------------|-------------|-----------|-------------------------|-------------------------|----------------------|----------------------|
| R/W-0         | R/W-0         | R/W-0       | R/W-0     | R/W-0                   | R/W-0                   | R/W-0                | R/W-0                |
| OVER-POW_PIN2 | OVER-CUR_PIN2 | VSURGE_PIN2 | VSAG_PIN2 | OVER-POW_PIN1           | OVERCUR_PIN1            | VSURGE_PIN1          | VSAG_PIN1            |
| bit 23        |               |             |           |                         |                         |                      | bit 16               |
| U-0           | U-0           | U-0         | U-0       | R/W-0                   | R/W-0                   | R/W-0                | R/W-0                |
| —             | —             | —           | —         | OVERCUR_CL <sup>2</sup> | OVERPOW_CL <sup>2</sup> | VSUR_CL <sup>2</sup> | VSAG_CL <sup>2</sup> |
| bit 15        |               |             |           |                         |                         |                      | bit 8                |

|         |         |             |            |          |          |             |             |
|---------|---------|-------------|------------|----------|----------|-------------|-------------|
| R/W-0   | R/W-0   | R/W-0       | R/W-0      | R/W-0    | R/W-0    | R/W-0       | R/W-0       |
| VSUR_LA | VSAG_LA | OVER-POW_LA | OVERCUR_LA | VSUR_TST | VSAG_TST | OVERPOW_TST | OVERCUR_TST |
| bit 7   |         |             |            |          |          |             | bit 0       |

### Legend:

R = Readable bit      W = Writable bit      U = Unimplemented bit, read as '0'  
 -n = Value at POR      '1' = Bit is set      '0' = Bit is cleared      x = Bit is unknown

- bits 31-29 **Unimplemented:** Read as '0'
- bit 28 **OVERTEMP\_PIN2:** Event pin 2 operation for the Overtemperature event (**Note 1**)  
 1 = Event mapped to Event2 pin only  
 0 = Event not mapped to a pin (**Default**)
- bit 27 **OVERTEMP\_PIN1:** Event pin 1 operation for the Overtemperature event (**Note 1**)  
 1 = Event mapped to Event1 pin only  
 0 = Event not mapped to a pin (**Default**)
- bit 26 **OVERTEMP\_CL:** Reset or clear bit for the Overtemperature event (**Notes 1, 2**)  
 1 = Event is cleared  
 0 = Event is not cleared (**Default**)
- bit 25 **OVERTEMP\_LA:** Latching control of the Overtemperature event (**Note 1**)  
 1 = Event is latched and needs to be cleared to be reset  
 0 = Event does not latch (**Default**)
- bit 24 **OVERTEMP\_TST:** Test control of the Overtemperature event (**Note 1**)  
 1 = Simulated event is turned on  
 0 = Simulated event is turned off (**Default**)
- bit 23 **OVERPOW\_PIN2:** Event pin 2 operation for the Overpower event  
 1 = Event mapped to Event2 pin only  
 0 = Event not mapped to a pin (**Default**)
- bit 22 **OVERCUR\_PIN2:** Event pin 2 operation for the Overcurrent event  
 1 = Event mapped to Event2 pin only  
 0 = Event not mapped to a pin (**Default**)
- bit 21 **VSURGE\_PIN2:** Event pin 2 operation for the Voltage Surge event  
 1 = Event mapped to Event2 pin only  
 0 = Event not mapped to a pin (**Default**)
- bit 20 **VSAG\_PIN2:** Event pin 2 operation for the Voltage Sag event  
 1 = Event mapped to Event2 pin only  
 0 = Event not mapped to a pin (**Default**)



## REGISTER 7-1: EVENT CONFIGURATION REGISTER (CONTINUED)

|            |  |
|------------|--|
| bit 19     | <b>OVERPOW_PIN1:</b> Event pin 1 operation for the Overpower event<br>1 = Event mapped to Event1 pin only<br>0 = Event not mapped to a pin ( <b>Default</b> )    |
| bit 18     | <b>OVERCUR_PIN1:</b> Event pin 1 operation for the Overcurrent event<br>1 = Event mapped to Event1 pin only<br>0 = Event not mapped to a pin ( <b>Default</b> )  |
| bit 17     | <b>VSURGE_PIN1:</b> Event pin 1 operation for the Voltage Surge event<br>1 = Event mapped to Event1 pin only<br>0 = Event not mapped to a pin ( <b>Default</b> ) |
| bit 16     | <b>VSAG_PIN1:</b> Event pin 1 operation for the Voltage Sag event<br>1 = Event mapped to Event1 pin only<br>0 = Event not mapped to a pin ( <b>Default</b> )     |
| bits 15-12 | <b>Unimplemented:</b> Read as '0'  |
| bit 11     | <b>OVERCUR_CL:</b> Reset or clear bit for the Overcurrent event ( <b>Note 2</b> )<br>1 = Event is cleared<br>0 = Event is not cleared ( <b>Default</b> )         |
| bit 10     | <b>OVERPOW_CL:</b> Reset or clear bit for the Overpower event ( <b>Note 2</b> )<br>1 = Event is cleared<br>0 = Event is not cleared ( <b>Default</b> )           |
| bit 9      | <b>VSUR_CL:</b> Reset or clear bit for the Voltage Surge event ( <b>Note 2</b> )<br>1 = Event is cleared<br>0 = Event is not cleared ( <b>Default</b> )          |
| bit 8      | <b>VSAG_CL:</b> Reset or clear bit for the Voltage Sag event ( <b>Note 2</b> )<br>1 = Event is cleared<br>0 = Event is not cleared ( <b>Default</b> )            |
| bit 7      | <b>VSUR_LA:</b> Latching control of the Voltage Surge event<br>1 = Event is latched and needs to be cleared<br>0 = Event does not latch ( <b>Default</b> )       |
| bit 6      | <b>VSAG_LA:</b> Latching control of the Voltage Sag event<br>1 = Event is latched and needs to be cleared<br>0 = Event does not latch ( <b>Default</b> )         |
| bit 5      | <b>OVERPOW_LA:</b> Latching control of the Overpower event<br>1 = Event is latched and needs to be cleared<br>0 = Event does not latch ( <b>Default</b> )        |
| bit 4      | <b>OVERCUR_LA:</b> Latching control of the Overcurrent event<br>1 = Event is latched and needs to be cleared<br>0 = Event does not latch ( <b>Default</b> )      |
| bit 3      | <b>VSUR_TST:</b> Test control of the Voltage Surge event<br>1 = Simulated event is turned on<br>0 = Simulated event is turned off ( <b>Default</b> )             |
| bit 2      | <b>VSAG_TST:</b> Test control of the Voltage Sag event<br>1 = Simulated event is turned on<br>0 = Simulated event is turned off ( <b>Default</b> )               |
| bit 1      | <b>OVERPOW_TST:</b> Test control of the Overpower event<br>1 = Simulated event is turned on<br>0 = Simulated event is turned off ( <b>Default</b> )              |
| bit 0      | <b>OVERCUR_TST:</b> Test control of the Overcurrent event<br>1 = Simulated event is turned on<br>0 = Simulated event is turned off ( <b>Default</b> )            |

**Note 1:** The Overtemperature event bits (28-24) are only available on system versions 0xFA14 and later.

**2:** Writing a 1 to the Clear bit clears the event, either real or simulated through test bits, and then returns to a state of 0.

# MCP39F511

---

NOTES:

## 8.0 PULSE WIDTH MODULATION (PWM)

### 8.1 Overview

The PWM output pin gives up to a 10-bit resolution of a pulse width modulated signal. The PWM output is controlled by an internal timer inside the MCP39F511,  $F_{\text{TIMER}}$  described in this section, with a base frequency of 16 MHz. The base period is defined as  $P_{\text{TIMER}}$  and is  $1/[16 \text{ MHz}]$ . This 16 MHz time base is fixed due to the 4 MHz internal oscillator or 4 MHz external crystal.

The output of the PWM is active only when the PWM Control register has a value of 0x0001. The PWM output is turned off when the register has a value of 0x0000.

The PWM output (Figure 8-2) has a time base (period) and a time that the output stays high (duty cycle). The frequency of the PWM is the inverse of the period ( $1/\text{period}$ ).

There are two registers that control the PWM output, PWM Period and PWM Duty Cycle.

The 8-bit PWM Period is controlled by a 16-bit register that contains the period bits and also the prescaler bits. The PWM Period bits are the most significant eight bits

in the register, and the prescaler value is represented by the least two significant bits. These two values together create the PWM Period; see Figure 8-1.

The 10-bit PWM Duty Cycle is controlled by a 16-bit register where the most eight significant bits are the 8 MSB and the 2 LSB, corresponding to the 2 LSBs of the 10-bit value.

An example of the register's values are shown here with 255 for PWM Frequency (8-bit value) and 1023 for the Duty cycle (10-bit value), prescaler set to divide by 16 (1:0).

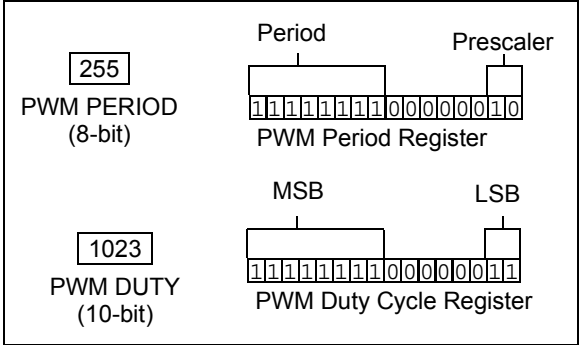


FIGURE 8-1: PWM Period and Duty-Cycle Registers.

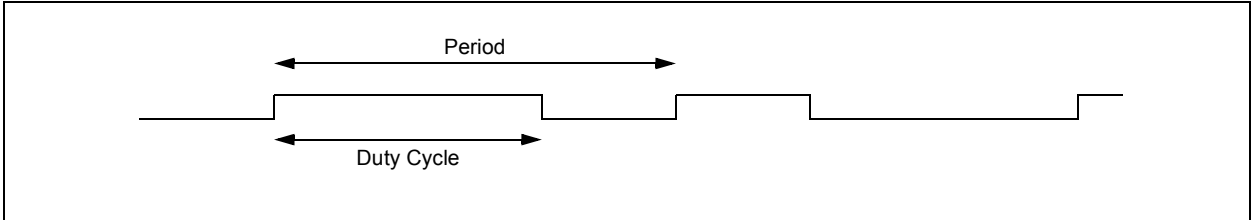


FIGURE 8-2: PWM Output.

# MCP39F511

## 8.2 PWM Period

The PWM period is specified by writing the PWM Period bits of the PWM Period register. The PWM period can be calculated using the following formula:

### Equation 8-1:

$$PWM\ Period = [(PWM\_Frequency) + 1] \times 2 \times P_{TIMER} \times (Prescale\ Value)$$

The PWM Period is defined as  $1/[PWM\ Frequency]$ . When  $P_{TIMER}$  is equal to PWM Period, the following two events occur on the next increment cycle:

- the PWM timer is cleared
- the PWM pin is set. Exception: If the PWM Duty Cycle equals 0%, the PWM pin will not be set.

## 8.3 PWM Duty Cycle

The PWM duty cycle is specified by writing to the PWM Duty-Cycle register. Up to 10-bit resolution is available. The PWM Duty-Cycle register contains the eight MSBs and the two LSbs. The following equations are used to calculate the PWM duty cycle as a percentage or as time:

### EQUATION 8-1:

$$PWM\ Duty\ Cycle\ (\%) = (PWM\_DUTY\_CYCLE) / (4 \times PWM\_FREQUENCY)$$
$$PWM\ Duty\ Cycle\ (time\ in\ s) = (PWM\_DUTY\_CYCLE) \times PWM\_TIMER\_PERIOD / 2 \times (Prescale\ Value)$$

PWM Duty Cycle can be written to at any time, but the duty-cycle value is not latched until after a period is complete.

The PWM registers and a two-bit internal latch are used to double-buffer the PWM duty cycle. This double-buffering is essential for glitch-less PWM operation.

The maximum PWM resolution (bits) for a given PWM frequency is shown in [Equation 8-2](#).

### EQUATION 8-2: MAXIMUM PWM RESOLUTION BASED ON A FUNCTION OF PWM FREQUENCY

$$PWM\ Resolution\ (max) = \frac{\log\left(\frac{2 \cdot F_{TIMER}}{F_{PWM}}\right)}{\log(2)}\ bits$$

**Note:** If the PWM duty cycle value is longer than the PWM period, the PWM pin will not be cleared.

**TABLE 8-2: EXAMPLE PWM FREQUENCIES AND RESOLUTIONS WITH PWM\_TIMER\_FREQ = 16 MHz (DEFAULT)**

| PWM Frequency             | 1.95 kHz | 31.25 kHz | 62.5 kHz | 125 kHz | 2.67 MHz | 4 MHz |
|---------------------------|----------|-----------|----------|---------|----------|-------|
| Timer Prescaler           | 16       | 1         | 1        | 1       | 1        | 1     |
| PWM Frequency Value       | FFh      | FFh       | 7Fh      | 3Fh     | 02h      | 01h   |
| Maximum Resolution (bits) | 10       | 10        | 9        | 4       | 3        | 2     |

**REGISTER 8-1: PWM PERIOD REGISTER**

|            |       |       |       |       |       |       |       |
|------------|-------|-------|-------|-------|-------|-------|-------|
| R/W-0      | R/W-0 | R/W-1 | R/W-1 | R/W-1 | R/W-1 | R/W-1 | R/W-1 |
| PWM_P<7:0> |       |       |       |       |       |       |       |
| bit 15     |       |       |       |       |       |       | bit 8 |

|       |     |     |     |     |     |          |       |
|-------|-----|-----|-----|-----|-----|----------|-------|
| U-0   | U-0 | U-0 | U-0 | U-0 | U-0 | R/W-0    | R/W-0 |
| —     | —   | —   | —   | —   | —   | PRE<1:0> |       |
| bit 7 |     |     |     |     |     |          | bit 0 |

**Legend:**

R = Readable bit                      W = Writable bit                      U = Unimplemented bit, read as '0'  
-n = Value at POR                      '1' = Bit is set                      '0' = Bit is cleared                      x = Bit is unknown

bit 15-8        **PWM\_P<7:0>**: 8-bit PWM period value  
bit 7-2        **Unimplemented**: Read as '0'  
bit 1-0        **PRE<1:0>**: PWM Prescaler  
                  11 = Unused  
                  10 = 1:16  
                  01 = 1:4  
                  00 = 1:1 (**Default**)

**REGISTER 8-2: PWM DUTY-CYCLE REGISTER**

|           |       |       |       |       |       |       |       |
|-----------|-------|-------|-------|-------|-------|-------|-------|
| R/W-0     | R/W-0 | R/W-1 | R/W-0 | R/W-0 | R/W-0 | R/W-0 | R/W-0 |
| DUTY<9:2> |       |       |       |       |       |       |       |
| bit 15    |       |       |       |       |       |       | bit 8 |

|       |     |     |     |     |     |           |       |
|-------|-----|-----|-----|-----|-----|-----------|-------|
| U-0   | U-0 | U-0 | U-0 | U-0 | U-0 | R/W-0     | R/W-0 |
| —     | —   | —   | —   | —   | —   | DUTY<1:0> |       |
| bit 7 |     |     |     |     |     |           | bit 0 |

**Legend:**

R = Readable bit                      W = Writable bit                      U = Unimplemented bit, read as '0'  
-n = Value at POR                      '1' = Bit is set                      '0' = Bit is cleared                      x = Bit is unknown

bit 15-8        **DUTY<9:2>**: Upper 8 bits of 10-bit duty-cycle value  
bit 7-2        **Unimplemented**: Read as '0'  
bit 1-0        **DUTY<1:0>**: Lower 2 bits of 10-bit duty-cycle value

# MCP39F511

## REGISTER 8-3: PWM CONTROL REGISTER

|        |     |     |     |     |     |     |       |
|--------|-----|-----|-----|-----|-----|-----|-------|
| U-0    | U-0 | U-0 | U-0 | U-0 | U-0 | U-0 | U-0   |
| —      | —   | —   | —   | —   | —   | —   | —     |
| bit 15 |     |     |     |     |     |     | bit 8 |

|       |     |     |     |     |     |     |           |
|-------|-----|-----|-----|-----|-----|-----|-----------|
| U-0   | U-0 | U-0 | U-0 | U-0 | U-0 | U-0 | R/W-0     |
| —     | —   | —   | —   | —   | —   | —   | PWM_CNTRL |
| bit 7 |     |     |     |     |     |     | bit 0     |

### Legend:

R = Readable bit                      W = Writable bit                      U = Unimplemented bit, read as '0'  
 -n = Value at POR                      '1' = Bit is set                      '0' = Bit is cleared                      x = Bit is unknown

bits 15-1    **Unimplemented:** Read as '0'  
 bit 0        **PWM\_CNTRL:** PWM Control  
               1 = PWM is turned on  
               0 = PWM is turned off (**Default**)

## 9.0 MCP39F511 CALIBRATION

### 9.1 Overview

Calibration compensates for ADC gain error, component tolerances and overall noise in the system. The device provides an on-chip calibration algorithm that allows simple system calibration to be performed quickly. The excellent analog performance of the A/D converters on the MCP39F511 allows for a single-point calibration and a single calibration command to achieve accurate measurements.

Calibration can be done by either using the predefined auto-calibration commands, or by writing directly to the calibration registers. If additional calibration points are required (AC offset, Phase Compensation, DC offset), the corresponding calibration registers are available to the user and will be described separately in this section.

### 9.2 Calibration Order

The proper steps for calibration need to be maintained.

If the device has an external temperature sensor attached, temperature calibration should be done first by reading the value from the Thermistor Voltage register and copying the value by writing to the Ambient Temperature Reference Voltage register.

The single-point gain calibration at unity power factor should be performed next.

If nonunity displacement power factor measurements are a concern, then the next step should be Phase calibration, followed by Reactive Power Gain calibration.

Here is a summary on the order of calibration steps:

1. Transfer of the ambient temperature value during calibration to the Ambient Temperature Calibration register for temperature compensation (optional)
2. Line Frequency Calibration
3. Gain Calibration at PF = 1
4. Phase Calibration at PF ≠ 1 (optional)
5. Reactive Gain Calibration at PF ≠ 1 (optional)

**Note:** Only needed if temperature compensation is required. On system versions 0xFA14 and later this register transfer is done automatically.

### 9.3 Single-Point Gain Calibrations at Unity Power Factor

When using the device in AC mode with the high-pass filters turned on, most offset errors are removed and only a single-point gain calibration is required.

Setting the gain registers to properly produce the desired outputs can be done manually by writing to the appropriate register. The alternative method is to use the auto-calibration commands described in this section.

#### 9.3.1 USING THE AUTO-CALIBRATION GAIN COMMAND

By applying stable reference voltages and currents that are equivalent to the values that reside in the target Calibration Current, Calibration Voltage and Calibration Active Power registers, the Auto-Calibration Gain command can then be issued to the device.

After a successful calibration (response = ACK), a Save Registers to Flash command can then be issued to save the calibration constants calculated by the device.

The following registers are set when the Auto-Calibration Gain command is issued:

- Gain Current RMS
- Gain Voltage RMS
- Gain Active Power

When this command is issued, the MCP39F511 attempts to match the expected values to the measured values for all three output quantities by changing the gain register based on the following formula:

#### EQUATION 9-1:

$$GAIN_{NEW} = GAIN_{OLD} \cdot \frac{Expected}{Measured}$$

The same formula applies for Voltage RMS, Current RMS and Active power. Since the gain registers for all three quantities are 16-bit numbers, the ratio of the expected value to the measured value (which can be modified by changing the Range register) and the previous gain must be such that the equation yields a valid number. Here the limits are set to be from 25,000 to 65,535. A new gain within this range for all three limits will return an ACK for a successful calibration, otherwise the command returns a NAK for a failed calibration attempt.

It is the user's responsibility to ensure that the proper range settings, PGA settings and hardware design settings are correct to allow for successful calibration using this command.

# MCP39F511

## 9.3.2 EXAMPLE OF RANGE SELECTION FOR VALID CALIBRATION

In this example, the user applies a calibration current of 1A to an uncalibrated system. The indicated value in the Current RMS register is 2300 with the system's specific shunt value, PGA gain, etc. The user expects to see a value of 1000 in the Current RMS register when 1A current is applied, meaning 1.000A with 1 mA resolution. Other given values are:

- the existing value for Gain Current RMS is 33480
- the existing value for Range is 12

By using [Equation 9-1](#), the calculation for Gain<sub>NEW</sub> yields:

### EQUATION 9-2:

$$GAIN_{NEW} = GAIN_{OLD} \times \frac{Expected}{Measured} = 33480 \times \frac{1000}{2300} = 14556$$
$$14556 < 25,000$$

When using the `Auto-Calibration Gain` command, the result would be a failed calibration or a NAK returned from the MCP39F511, because the resulting Gain<sub>NEW</sub> is less than 25,000.

The solution is to use the Range register to bring the measured value closer to the expected value, such that a new gain value can be calculated within the limits specified above.

The Range register specifies the number of right-bit shifts (equivalent to divisions by 2) after the multiplication with the Gain Current RMS register. Refer to [Section 5.0 "Calculation Engine \(CE\) Description"](#) for information on the Range register.

Incrementing the Range register by 1 unit, an additional right-bit shift or  $\div 2$  is included in the calculation. Increasing the current range from 12 to 13 yields the new measured Current RMS register value of  $2300/2 = 1150$ . The expected (1000) and measured (1150) are much closer now, so the expected new gain should be within the limits:

### EQUATION 9-3:

$$GAIN_{NEW} = GAIN_{OLD} \times \frac{Expected}{Measured} = 33480 \times \frac{1000}{1150} = 29113$$
$$25,000 < 29113 < 65535$$

The resulting new gain is within the limits and the device successfully calibrates Current RMS and returns an ACK.

Notice that the range can be set to 14 and the resulting new gain will still be within limits (Gain<sub>NEW</sub> = 58226). However, since this gain value is close to the limit of the 16-bit Gain register, variations from system to system (component tolerances, etc.) might create a scenario where the calibration is not successful on some units and there would be a yield

issue. The best approach is to choose a range value that places the new gain in the middle of the bounds of the gain registers described above.

In a second example, when applying 1A, the user expects an output of 1.0000A with 0.1 mA resolution. The example is starting with the same initial values:

### EQUATION 9-4:

$$GAIN_{NEW} = GAIN_{OLD} \times \frac{Expected}{Measured} = 33480 \times \frac{10000}{2300} = 145565$$
$$145565 > 65535$$

The Gain<sub>NEW</sub> is much larger than the 16-bit limit of 65535, so fewer right-bit shifts must be introduced to get the measured value closer to the expected value. The user needs to compute the number of bit shifts that will give a value lower than 65535. To estimate this number:

### EQUATION 9-5:

$$\frac{145565}{65535} = 2.2$$

2.2 rounds to the closest integer value of 2. The range value changes to  $12 - 2 = 10$ ; there are 2 less right-bit shifts.

The new measured value will be  $2300 \times 2^2 = 9200$ .

### EQUATION 9-6:

$$GAIN_{NEW} = GAIN_{OLD} \times \frac{Expected}{Measured} = 33480 \times \frac{10000}{9200} = 36391$$
$$25,000 < 36391 < 65535$$

The resulting new gain is within the limits and the device successfully calibrates Current RMS and returns an ACK.



## 9.4 Calibrating the Phase Compensation Register

Phase compensation is provided to adjust for any phase delay between the current and voltage path. This procedure requires sinusoidal current and voltage waveforms, with a significant phase shift between them, and significant amplitudes. The recommended displacement power factor for calibration is 0.5. The procedure for calculating the phase compensation register is as follows:

1. Determine what the difference is between the angle corresponding to the measured power factor ( $PF_{MEAS}$ ) and the angle corresponding to the expected power factor ( $PF_{EXP}$ ), in degrees.

### EQUATION 9-7:

$$PF_{MEAS} = \frac{\text{Value in PowerFactor Register}}{32768}$$

$$ANGLE_{MEAS} (^{\circ}) = \text{acos}(PF_{MEAS}) \times \frac{180}{\pi}$$

$$ANGLE_{EXP} (^{\circ}) = \text{acos}(PF_{EXP}) \times \frac{180}{\pi}$$

2. Convert this from degrees to the resolution provided in [Equation 9-8](#):

### EQUATION 9-8:

$$\Phi = (ANGLE_{MEAS} - ANGLE_{EXP}) \times 40$$

3. Combine this additional phase compensation to whatever value is currently in the phase compensation, and update the register. [Equation 9-9](#) should be computed in terms of an 8-bit 2's complement-signed value. The 8-bit result is placed in the least significant byte of the 16-bit Phase Compensation register.

### EQUATION 9-9:

$$PhaseCompensation_{NEW} = PhaseCompensation_{OLD} + \Phi$$

Based on [Equation 9-9](#), the maximum angle in degrees that can be compensated is approximately  $\pm 3.2$  degrees. If a larger phase shift is required, contact your local Microchip sales office.

## 9.5 Offset/No-Load Calibrations

During offset calibrations, it is recommended that no line voltage or current be applied to the system. The system should be in a no-load condition.

### 9.5.1 AC OFFSET CALIBRATION

There are three registers associated with the AC Offset Calibration:

- Offset Current RMS
- Offset Active Power
- Offset Reactive Power

When computing the AC offset values, the respective gain and range registers should be taken into consideration according to the block diagrams in [Figures 5-2](#) and [5-4](#).

After a successful offset calibration, a `Save Registers to Flash` command can then be issued to save the calibration constants calculated by the device.

### 9.5.2 DC OFFSET CALIBRATION

In DC applications, the high-pass filter on the current and voltage channels is turned off. To remove any residual DC value on the current, the `DCOffsetCurrent` register adds to the A/D conversion immediately after the ADC and prior to any other function.

## 9.6 Calibrating the Line Frequency Register

The Line Frequency register contains a 16-bit number with a value equivalent to the input-line frequency as it is measured on the voltage channel. When in DC mode, this calculation is turned off and the register will be equal to zero.

The measurement of the line frequency is only valid from 45 to 65 Hz.

### 9.6.1 USING THE AUTO-CALIBRATE FREQUENCY COMMAND

By applying a stable reference voltage with a constant line frequency that is equivalent to the value that resides in the Line Frequency Ref, the `Auto-Calibrate Frequency` command can then be issued to the device.

After a successful calibration (response = ACK), a `Save Registers to Flash` command can then be issued to save the calibration constants calculated by the device.

The following register is set when the `Auto-Calibrate Frequency` command is issued:

- Gain Line Frequency

Note that the command is only required when running off the internal oscillator. The formula used to calculate the new gain is shown in [Equation 9-1](#).

# MCP39F511

## 9.7 Temperature Compensation

MCP39F511 measures the indication of the temperature sensor and uses the value to compensate the temperature variation of the shunt resistance and the frequency of the internal RC oscillator.

The same formula applies for Line Frequency, Current RMS, Active Power and Reactive Power. The temperature compensation coefficient depends on the 16-bit signed integer value of the corresponding compensation register.

### EQUATION 9-10:

$$y = x \times (1 + c \times (T - T_{CAL}))$$

$$c = \frac{\text{Temperature Compensation Register}}{2^M}$$

Where:

x = Uncompensated Output (corresponding to Line Frequency, Current RMS, Active Power and Reactive Power)

y = Compensated Output

c = Temperature Compensation Coefficient (depending on the shunt's Temperature Coefficient of Resistance or on the internal RC oscillator temperature frequency drift). There are three registers one for Line Frequency compensation, one for Current compensation, and one for power compensation (Active and Reactive)

T = Thermistor Voltage (in 10-bit ADC units)

T<sub>CAL</sub> = Ambient Temperature Reference Voltage. It should be set at the beginning of the calibration procedure, by reading the thermistor voltage and writing its value to the ambient temperature reference voltage register.

M = 26 (for Line Frequency compensation)  
= 27 (for Current, Active Power and Reactive Power)

At the calibration temperature, the effect of the compensation coefficients is minimal. The coefficients need to be tuned when the difference between the calibration temperature and the device temperature is significant. It is recommended to use the default values as starting points.

## 9.8 Retrieving Factory Default Calibration Values

After user calibration and a `Save to Flash` command has been issued, it is possible to retrieve the factory default calibration values. This can be done by writing `0xA5A5` to the calibration delimiter register, issuing a `Save to Flash`, and then resetting the part. This procedure will retrieve all factory-default calibration values and will remain in this state until calibration has been performed again, and a `Save to Flash` command has been issued.

## 10.0 EEPROM

The data EEPROM is organized as 16-bit wide memory. Each word is directly addressable, and is readable and writable across the entire  $V_{DD}$  range. The MCP39F511 has 256 16-bit words of EEPROM that is organized in 32 pages for a total of 512 bytes.

There are three commands that support access to the EEPROM array.

- EEPROM Page Read (0x42)
- EEPROM Page Write (0x50)
- EEPROM Bulk Erase (0x4F)

**TABLE 10-1: EXAMPLE EEPROM COMMANDS AND DEVICE RESPONSE**

| Command           | Command ID BYTE 0 | BYTE 1-N                | # Bytes | Successful Response |
|-------------------|-------------------|-------------------------|---------|---------------------|
| Page Read EEPROM  | 0x42              | PAGE                    | 2       | ACK, Data, Checksum |
| Page Write EEPROM | 0x50              | PAGE + 16 BYTES OF DATA | 18      | ACK                 |
| Bulk Erase EEPROM | 0x4F              | None                    | 1       | ACK                 |

**TABLE 10-2: MCP39F511 EEPROM ORGANIZATION**

| Page | 00   | 02   | 04   | 06   | 08   | 0A   | 0C   | 0E   |
|------|------|------|------|------|------|------|------|------|
| 0    | 0000 | FFFF | FFFF | FFFF | FFFF | FFFF | FFFF | FFFF |
| 1    | 0010 | FFFF | FFFF | FFFF | FFFF | FFFF | FFFF | FFFF |
| 2    | 0020 | FFFF | FFFF | FFFF | FFFF | FFFF | FFFF | FFFF |
| 3    | 0030 | FFFF | FFFF | FFFF | FFFF | FFFF | FFFF | FFFF |
| 4    | 0040 | FFFF | FFFF | FFFF | FFFF | FFFF | FFFF | FFFF |
| 5    | 0050 | FFFF | FFFF | FFFF | FFFF | FFFF | FFFF | FFFF |
| 6    | 0060 | FFFF | FFFF | FFFF | FFFF | FFFF | FFFF | FFFF |
| 7    | 0070 | FFFF | FFFF | FFFF | FFFF | FFFF | FFFF | FFFF |
| 8    | 0080 | FFFF | FFFF | FFFF | FFFF | FFFF | FFFF | FFFF |
| 9    | 0090 | FFFF | FFFF | FFFF | FFFF | FFFF | FFFF | FFFF |
| 10   | 00A0 | FFFF | FFFF | FFFF | FFFF | FFFF | FFFF | FFFF |
| 11   | 00B0 | FFFF | FFFF | FFFF | FFFF | FFFF | FFFF | FFFF |
| 12   | 00C0 | FFFF | FFFF | FFFF | FFFF | FFFF | FFFF | FFFF |
| 13   | 00D0 | FFFF | FFFF | FFFF | FFFF | FFFF | FFFF | FFFF |
| 14   | 00E0 | FFFF | FFFF | FFFF | FFFF | FFFF | FFFF | FFFF |
| 15   | 00F0 | FFFF | FFFF | FFFF | FFFF | FFFF | FFFF | FFFF |
| 16   | 0100 | FFFF | FFFF | FFFF | FFFF | FFFF | FFFF | FFFF |
| 17   | 0110 | FFFF | FFFF | FFFF | FFFF | FFFF | FFFF | FFFF |
| 18   | 0120 | FFFF | FFFF | FFFF | FFFF | FFFF | FFFF | FFFF |
| 19   | 0130 | FFFF | FFFF | FFFF | FFFF | FFFF | FFFF | FFFF |
| 20   | 0140 | FFFF | FFFF | FFFF | FFFF | FFFF | FFFF | FFFF |
| 21   | 0150 | FFFF | FFFF | FFFF | FFFF | FFFF | FFFF | FFFF |
| 22   | 0160 | FFFF | FFFF | FFFF | FFFF | FFFF | FFFF | FFFF |
| 23   | 0170 | FFFF | FFFF | FFFF | FFFF | FFFF | FFFF | FFFF |
| 24   | 0180 | FFFF | FFFF | FFFF | FFFF | FFFF | FFFF | FFFF |
| 25   | 0190 | FFFF | FFFF | FFFF | FFFF | FFFF | FFFF | FFFF |
| 26   | 01A0 | FFFF | FFFF | FFFF | FFFF | FFFF | FFFF | FFFF |
| 27   | 01B0 | FFFF | FFFF | FFFF | FFFF | FFFF | FFFF | FFFF |
| 28   | 01C0 | FFFF | FFFF | FFFF | FFFF | FFFF | FFFF | FFFF |
| 29   | 01D0 | FFFF | FFFF | FFFF | FFFF | FFFF | FFFF | FFFF |
| 30   | 01E0 | FFFF | FFFF | FFFF | FFFF | FFFF | FFFF | FFFF |
| 31   | 01F0 | FFFF | FFFF | FFFF | FFFF | FFFF | FFFF | FFFF |

# MCP39F511

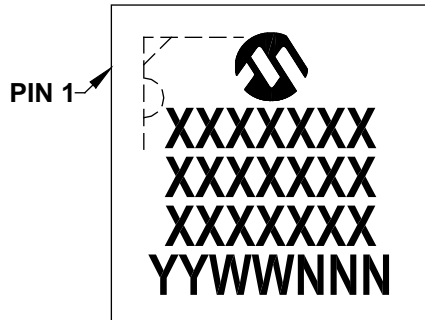
---

NOTES:

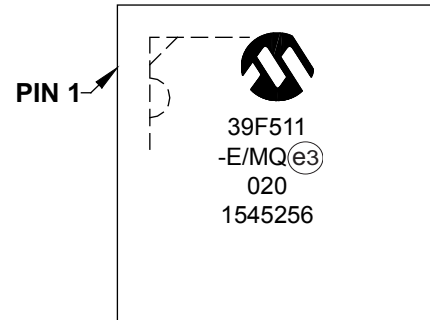
## 11.0 PACKAGING INFORMATION

### 11.1 Package Marking Information

28-Lead QFN (5x5x0.9 mm)



Example



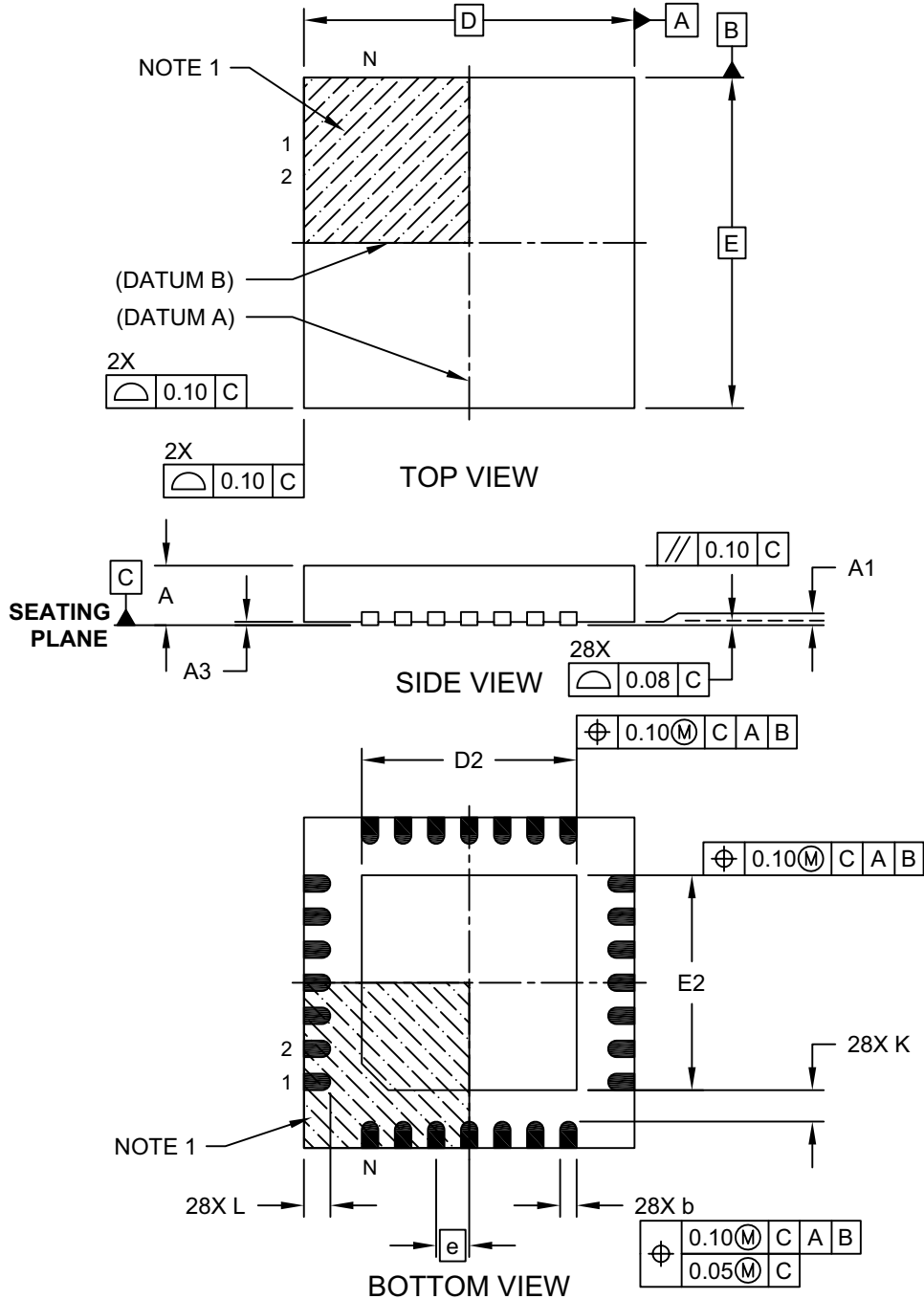
|                |        |  |
|----------------|--------|--|
| <b>Legend:</b> | XX...X | Customer-specific information  |
|                | Y      | Year code (last digit of calendar year)  |
|                | YY     | Year code (last 2 digits of calendar year)   |
|                | WW     | Week code (week of January 1 is week '01')   |
|                | NNN    | Alphanumeric traceability code   |
|                | ⓔ3     | Pb-free JEDEC designator for Matte Tin (Sn)  |
|                | *      | This package is Pb-free. The Pb-free JEDEC designator (ⓔ3) can be found on the outer packaging for this package. |

**Note:** In the event the full Microchip part number cannot be marked on one line, it will be carried over to the next line, thus limiting the number of available characters for customer-specific information.

# MCP39F511

## 28-Lead Plastic Quad Flat, No Lead Package (MQ) – 5x5x0.9 mm Body [QFN]

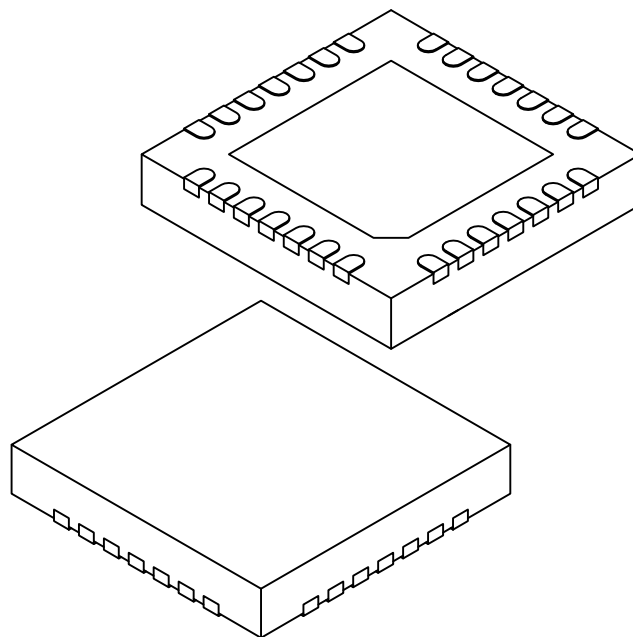
**Note:** For the most current package drawings, please see the Microchip Packaging Specification located at <http://www.microchip.com/packaging>



Microchip Technology Drawing C04-140C Sheet 1 of 2

## 28-Lead Plastic Quad Flat, No Lead Package (MQ) – 5x5x0.9 mm Body [QFN]

**Note:** For the most current package drawings, please see the Microchip Packaging Specification located at <http://www.microchip.com/packaging>



| Dimension Limits       | Units | MILLIMETERS |      |      |
|------------------------|-------|-------------|------|------|
|                        |       | MIN         | NOM  | MAX  |
| Number of Pins         | N     | 28          |      |      |
| Pitch                  | e     | 0.50 BSC    |      |      |
| Overall Height         | A     | 0.80        | 0.90 | 1.00 |
| Standoff               | A1    | 0.00        | 0.02 | 0.05 |
| Contact Thickness      | A3    | 0.20 REF    |      |      |
| Overall Width          | E     | 5.00 BSC    |      |      |
| Exposed Pad Width      | E2    | 3.15        | 3.25 | 3.35 |
| Overall Length         | D     | 5.00 BSC    |      |      |
| Exposed Pad Length     | D2    | 3.15        | 3.25 | 3.35 |
| Contact Width          | b     | 0.18        | 0.25 | 0.30 |
| Contact Length         | L     | 0.35        | 0.40 | 0.45 |
| Contact-to-Exposed Pad | K     | 0.20        | -    | -    |

**Notes:**

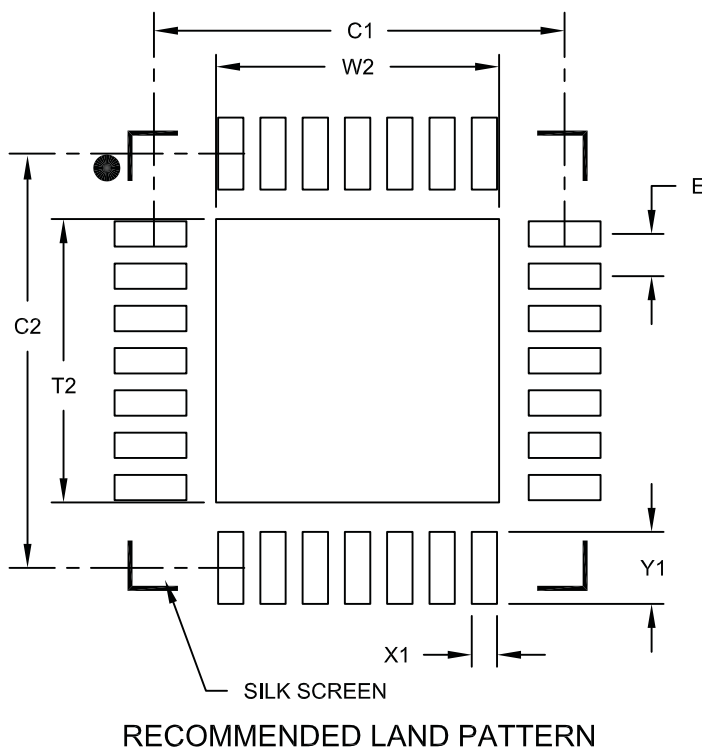
- Pin 1 visual index feature may vary, but must be located within the hatched area.
- Package is saw singulated.
- Dimensioning and tolerancing per ASME Y14.5M.
  - BSC: Basic Dimension. Theoretically exact value shown without tolerances.
  - REF: Reference Dimension, usually without tolerance, for information purposes only.

Microchip Technology Drawing C04-140C Sheet 2 of 2

# MCP39F511

## 28-Lead Plastic Quad Flat, No Lead Package (MQ) – 5x5 mm Body [QFN] Land Pattern With 0.55 mm Contact Length

**Note:** For the most current package drawings, please see the Microchip Packaging Specification located at <http://www.microchip.com/packaging>



| Dimension Limits           | Units | MILLIMETERS |      |      |
|----------------------------|-------|-------------|------|------|
|                            |       | MIN         | NOM  | MAX  |
| Contact Pitch              | E     | 0.50 BSC    |      |      |
| Optional Center Pad Width  | W2    |             |      | 3.35 |
| Optional Center Pad Length | T2    |             |      | 3.35 |
| Contact Pad Spacing        | C1    |             | 4.90 |      |
| Contact Pad Spacing        | C2    |             | 4.90 |      |
| Contact Pad Width (X28)    | X1    |             |      | 0.30 |
| Contact Pad Length (X28)   | Y1    |             |      | 0.85 |

**Notes:**

1. Dimensioning and tolerancing per ASME Y14.5M

BSC: Basic Dimension. Theoretically exact value shown without tolerances.

Microchip Technology Drawing C04-2140A



## APPENDIX A: REVISION HISTORY

### Revision B (December 2015)

The following is the list of modifications:

- Document conforms to system version 0xFA14
- Overtemperature event added
- Selectable baud rate bits added to [Register 6-2: System Configuration Register](#)
- Various typographical edits

### Revision A (March 2015)

- Original release of this document

# MCP39F511

---

NOTES:

## PRODUCT IDENTIFICATION SYSTEM

To order or obtain information, e.g., on pricing or delivery, refer to the factory or the listed sales office.

| <u>PART NO.</u>              | <u>[X]<sup>(1)</sup></u>  | <u>X</u>          | <u>/XX</u> |
|------------------------------|---|-------------------|------------|
| Device                       | Tape and Reel   | Temperature Range | Package    |
| <b>Device:</b>               | MCP39F511: Power-Monitoring IC with Calculation and Energy Accumulation       |                   |            |
| <b>Tape and Reel Option:</b> | Blank = Standard packaging (tube or tray)<br>T = Tape and Reel <sup>(1)</sup> |                   |            |
| <b>Temperature Range:</b>    | E = -40°C to +125°C   |                   |            |
| <b>Package:</b>              | MQ = Plastic Quad Flat, No Lead Package – 5x5x0.9 mm body (QFN), 28-lead      |                   |            |

**Examples:**

- a) MCP39F511-E/MQ: Extended temperature, 28LD 5x5 QFN package
- b) MCP39F511T-E/MQ: Tape and Reel, Extended temperature, 28LD 5x5 QFN package

**Note 1:** Tape and Reel identifier only appears in the catalog part number description. This identifier is used for ordering purposes and is not printed on the device package. Check with your Microchip sales office for package availability for the Tape and Reel option.

NOTES:

---

**Note the following details of the code protection feature on Microchip devices:**

- Microchip products meet the specification contained in their particular Microchip Data Sheet.
- Microchip believes that its family of products is one of the most secure families of its kind on the market today, when used in the intended manner and under normal conditions.
- There are dishonest and possibly illegal methods used to breach the code protection feature. All of these methods, to our knowledge, require using the Microchip products in a manner outside the operating specifications contained in Microchip's Data Sheets. Most likely, the person doing so is engaged in theft of intellectual property.
- Microchip is willing to work with the customer who is concerned about the integrity of their code.
- Neither Microchip nor any other semiconductor manufacturer can guarantee the security of their code. Code protection does not mean that we are guaranteeing the product as “unbreakable.”

Code protection is constantly evolving. We at Microchip are committed to continuously improving the code protection features of our products. Attempts to break Microchip's code protection feature may be a violation of the Digital Millennium Copyright Act. If such acts allow unauthorized access to your software or other copyrighted work, you may have a right to sue for relief under that Act.

---

Information contained in this publication regarding device applications and the like is provided only for your convenience and may be superseded by updates. It is your responsibility to ensure that your application meets with your specifications. MICROCHIP MAKES NO REPRESENTATIONS OR WARRANTIES OF ANY KIND WHETHER EXPRESS OR IMPLIED, WRITTEN OR ORAL, STATUTORY OR OTHERWISE, RELATED TO THE INFORMATION, INCLUDING BUT NOT LIMITED TO ITS CONDITION, QUALITY, PERFORMANCE, MERCHANTABILITY OR FITNESS FOR PURPOSE. Microchip disclaims all liability arising from this information and its use. Use of Microchip devices in life support and/or safety applications is entirely at the buyer's risk, and the buyer agrees to defend, indemnify and hold harmless Microchip from any and all damages, claims, suits, or expenses resulting from such use. No licenses are conveyed, implicitly or otherwise, under any Microchip intellectual property rights unless otherwise stated.

#### **Trademarks**

The Microchip name and logo, the Microchip logo, dsPIC, FlashFlex, flexPWR, JukeBlox, KEELOQ, KEELOQ logo, Kleer, LANCheck, MediaLB, MOST, MOST logo, MPLAB, OptoLyzer, PIC, PICSTART, PIC<sup>32</sup> logo, RightTouch, SpyNIC, SST, SST Logo, SuperFlash and UNI/O are registered trademarks of Microchip Technology Incorporated in the U.S.A. and other countries.

The Embedded Control Solutions Company and mTouch are registered trademarks of Microchip Technology Incorporated in the U.S.A.

Analog-for-the-Digital Age, BodyCom, chipKIT, chipKIT logo, CodeGuard, dsPICDEM, dsPICDEM.net, ECAN, In-Circuit Serial Programming, ICSP, Inter-Chip Connectivity, KleerNet, KleerNet logo, MiWi, motorBench, MPASM, MPF, MPLAB Certified logo, MPLIB, MPLINK, MultiTRAK, NetDetach, Omniscient Code Generation, PICDEM, PICDEM.net, PICKit, PICTail, RightTouch logo, REAL ICE, SQI, Serial Quad I/O, Total Endurance, TSHARC, USBCheck, VariSense, ViewSpan, WiperLock, Wireless DNA, and ZENA are trademarks of Microchip Technology Incorporated in the U.S.A. and other countries.

SQTP is a service mark of Microchip Technology Incorporated in the U.S.A.

Silicon Storage Technology is a registered trademark of Microchip Technology Inc. in other countries.

GestIC is a registered trademark of Microchip Technology Germany II GmbH & Co. KG, a subsidiary of Microchip Technology Inc., in other countries.

All other trademarks mentioned herein are property of their respective companies.

© 2015, Microchip Technology Incorporated, Printed in the U.S.A., All Rights Reserved.

ISBN: 978-1-5224-0068-4

**QUALITY MANAGEMENT SYSTEM**  
**CERTIFIED BY DNV**  
**== ISO/TS 16949 ==**

*Microchip received ISO/TS-16949:2009 certification for its worldwide headquarters, design and wafer fabrication facilities in Chandler and Tempe, Arizona; Gresham, Oregon and design centers in California and India. The Company's quality system processes and procedures are for its PIC<sup>®</sup> MCUs and dsPIC<sup>®</sup> DSCs, KEELOQ<sup>®</sup> code hopping devices, Serial EEPROMs, microperipherals, nonvolatile memory and analog products. In addition, Microchip's quality system for the design and manufacture of development systems is ISO 9001:2000 certified.*



# MICROCHIP

## Worldwide Sales and Service

### AMERICAS

#### Corporate Office

2355 West Chandler Blvd.  
Chandler, AZ 85224-6199

Tel: 480-792-7200

Fax: 480-792-7277

Technical Support:

[http://www.microchip.com/  
support](http://www.microchip.com/support)

Web Address:

[www.microchip.com](http://www.microchip.com)

#### Atlanta

Duluth, GA

Tel: 678-957-9614

Fax: 678-957-1455

#### Austin, TX

Tel: 512-257-3370

#### Boston

Westborough, MA

Tel: 774-760-0087

Fax: 774-760-0088

#### Chicago

Itasca, IL

Tel: 630-285-0071

Fax: 630-285-0075

#### Cleveland

Independence, OH

Tel: 216-447-0464

Fax: 216-447-0643

#### Dallas

Addison, TX

Tel: 972-818-7423

Fax: 972-818-2924

#### Detroit

Novi, MI

Tel: 248-848-4000

#### Houston, TX

Tel: 281-894-5983

#### Indianapolis

Noblesville, IN

Tel: 317-773-8323

Fax: 317-773-5453

#### Los Angeles

Mission Viejo, CA

Tel: 949-462-9523

Fax: 949-462-9608

#### New York, NY

Tel: 631-435-6000

#### San Jose, CA

Tel: 408-735-9110

#### Canada - Toronto

Tel: 905-673-0699

Fax: 905-673-6509

### ASIA/PACIFIC

#### Asia Pacific Office

Suites 3707-14, 37th Floor  
Tower 6, The Gateway  
Harbour City, Kowloon

#### Hong Kong

Tel: 852-2943-5100

Fax: 852-2401-3431

#### Australia - Sydney

Tel: 61-2-9868-6733

Fax: 61-2-9868-6755

#### China - Beijing

Tel: 86-10-8569-7000

Fax: 86-10-8528-2104

#### China - Chengdu

Tel: 86-28-8665-5511

Fax: 86-28-8665-7889

#### China - Chongqing

Tel: 86-23-8980-9588

Fax: 86-23-8980-9500

#### China - Dongguan

Tel: 86-769-8702-9880

#### China - Hangzhou

Tel: 86-571-8792-8115

Fax: 86-571-8792-8116

#### China - Hong Kong SAR

Tel: 852-2943-5100

Fax: 852-2401-3431

#### China - Nanjing

Tel: 86-25-8473-2460

Fax: 86-25-8473-2470

#### China - Qingdao

Tel: 86-532-8502-7355

Fax: 86-532-8502-7205

#### China - Shanghai

Tel: 86-21-5407-5533

Fax: 86-21-5407-5066

#### China - Shenyang

Tel: 86-24-2334-2829

Fax: 86-24-2334-2393

#### China - Shenzhen

Tel: 86-755-8864-2200

Fax: 86-755-8203-1760

#### China - Wuhan

Tel: 86-27-5980-5300

Fax: 86-27-5980-5118

#### China - Xian

Tel: 86-29-8833-7252

Fax: 86-29-8833-7256

### ASIA/PACIFIC

#### China - Xiamen

Tel: 86-592-2388138

Fax: 86-592-2388130

#### China - Zhuhai

Tel: 86-756-3210040

Fax: 86-756-3210049

#### India - Bangalore

Tel: 91-80-3090-4444

Fax: 91-80-3090-4123

#### India - New Delhi

Tel: 91-11-4160-8631

Fax: 91-11-4160-8632

#### India - Pune

Tel: 91-20-3019-1500

#### Japan - Osaka

Tel: 81-6-6152-7160

Fax: 81-6-6152-9310

#### Japan - Tokyo

Tel: 81-3-6880-3770

Fax: 81-3-6880-3771

#### Korea - Daegu

Tel: 82-53-744-4301

Fax: 82-53-744-4302

#### Korea - Seoul

Tel: 82-2-554-7200

Fax: 82-2-558-5932 or

82-2-558-5934

#### Malaysia - Kuala Lumpur

Tel: 60-3-6201-9857

Fax: 60-3-6201-9859

#### Malaysia - Penang

Tel: 60-4-227-8870

Fax: 60-4-227-4068

#### Philippines - Manila

Tel: 63-2-634-9065

Fax: 63-2-634-9069

#### Singapore

Tel: 65-6334-8870

Fax: 65-6334-8850

#### Taiwan - Hsin Chu

Tel: 886-3-5778-366

Fax: 886-3-5770-955

#### Taiwan - Kaohsiung

Tel: 886-7-213-7828

#### Taiwan - Taipei

Tel: 886-2-2508-8600

Fax: 886-2-2508-0102

#### Thailand - Bangkok

Tel: 66-2-694-1351

Fax: 66-2-694-1350

### EUROPE

#### Austria - Wels

Tel: 43-7242-2244-39

Fax: 43-7242-2244-393

#### Denmark - Copenhagen

Tel: 45-4450-2828

Fax: 45-4485-2829

#### France - Paris

Tel: 33-1-69-53-63-20

Fax: 33-1-69-30-90-79

#### Germany - Dusseldorf

Tel: 49-2129-3766400

#### Germany - Karlsruhe

Tel: 49-721-625370

#### Germany - Munich

Tel: 49-89-627-144-0

Fax: 49-89-627-144-44

#### Italy - Milan

Tel: 39-0331-742611

Fax: 39-0331-466781

#### Italy - Venice

Tel: 39-049-7625286

#### Netherlands - Drunen

Tel: 31-416-690399

Fax: 31-416-690340

#### Poland - Warsaw

Tel: 48-22-3325737

#### Spain - Madrid

Tel: 34-91-708-08-90

Fax: 34-91-708-08-91

#### Sweden - Stockholm

Tel: 46-8-5090-4654

#### UK - Wokingham

Tel: 44-118-921-5800

Fax: 44-118-921-5820

07/14/15

# Mouser Electronics

Authorized Distributor

Click to View Pricing, Inventory, Delivery & Lifecycle Information:

[Microchip:](#)

[MCP39F511-E/MQ](#) [MCP39F511T-E/MQ](#) [MCP39F511NT-E/MQ](#) [MCP39F511N-E/MQ](#) [MCP39F511A-E/MQ](#)  
[MCP39F511AT-E/MQ](#)