

FIGURE 1

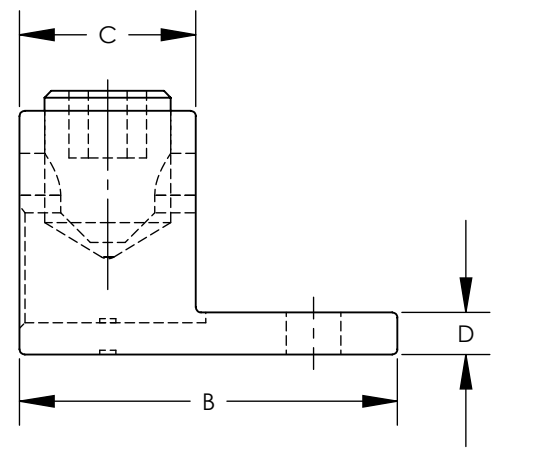
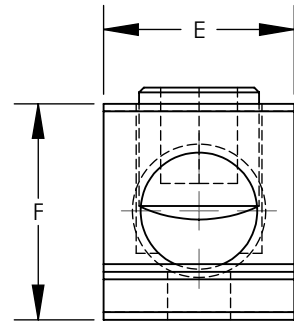
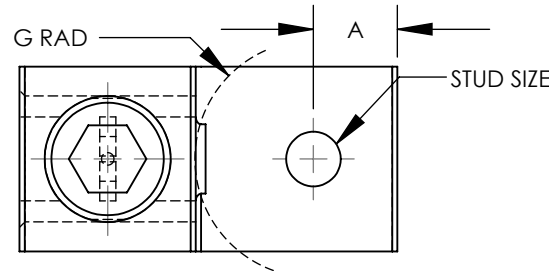
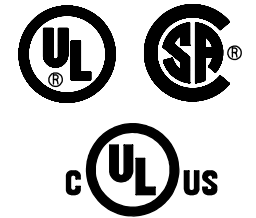


FIGURE 2



NOTES:

1. MATERIAL:  
BODY - ALUMINUM, TIN PLATED  
SCREW - ALUMINUM, TIN PLATED
2. UL LISTED & CSA CERTIFIED FOR USE UP TO 600V & TEMPERATURE RATED 90°C (AL9CU)  
NOTE: LAMA350-38-QY, LAMA500S-38-6Y, & LAMA600-38-6Y ARE cULus.
3. DUAL RATED FOR USE WITH COPPER OR ALUMINUM STRANDED CODE CONDUCTOR
4. THESE PARTS ARE RoHS COMPLIANT
5. USE OF OXIDE INHIBITING JOINT COMPOUND LIKE PANDUIT CMP-100 RECOMMENDED FOR PAD TO PAD AND CONDUCTOR SURFACES
6. SEE PACKAGING LABEL FOR TIGHTENING TORQUE INFORMATION
7. PKG QTY:  
Q = 25  
6 = 6



PART NUMBER	FIG.	WIRE RANGE COPPER/ALUMINUM	WIRE STRIP LENGTH IN[mm]	STUD SIZE IN	DIMENSIONS - IN [mm] +/- .02 [.5]							HEX KEY*
					A	B	C	D	E	F	G	
LAMA300-56-QY	1	6 AWG - 300kcmil	1.00 [25.4]	5/16	.45 [11.4]	2.00 [50.8]	1.00 [25.4]	.25 [6.4]	1.00 [25.4]	1.13 [28.7]	.55 [14.0]	5/16
LAMA350-38-QY	1	6 AWG - 350kcmil	1.13 [28.6]	3/8	.50 [12.7]	2.26 [57.4]	1.13 [28.6]	.25 [6.4]	1.13 [28.6]	1.25 [31.7]	.62 [15.8]	5/16
LAMA500-38-6Y	1	4 AWG - 500kcmil	1.22 [31.0]	3/8	.88 [22.2]	2.84 [72.0]	1.22 [31.0]	.33 [8.3]	1.50 [38.0]	1.58 [40.0]	.74 [18.8]	1/2
LAMA600-38-6Y	1	2 AWG - 600kcmil	1.38 [35.1]	3/8	.63 [15.9]	3.18 [80.9]	1.38 [35.1]	.44 [11.1]	1.60 [40.6]	1.57 [39.8]	1.17 [29.7]	1/2
LAMA600S-38-6Y	2	4 AWG - 600kcmil	1.31 [33.3]	3/8	.63 [16.0]	2.81 [71.4]	1.31 [33.3]	.31 [7.9]	1.38 [35.1]	1.81 [46.0]	.88 [22.4]	3/8
LAMA1000-58-6Y	1	500kcmil - 1000kcmil	1.63 [41.3]	5/8	.81 [20.6]	3.50 [88.9]	1.63 [41.3]	.50 [12.7]	1.75 [44.5]	1.94 [49.2]	1.06 [27.0]	3/8

\* HEX SIZE MAY DIFFER FROM CHART. DIFFERENCE IN SIZE WILL NOT AFFECT FIT, FORM, OR FUNCTION OF PART

REV	DATE	BY	CHK	APR	DESCRIPTION	ECN
11	9/17	JHNU	JHNU	RGB	REVISED DIMENSION B FOR LAMA500-38-6Y: 2.84 WAS 2.81 REVISED DIMENSION D FOR LAMA500-38-6Y: .33 WAS .31 REVISED DIMENSION F FOR LAMA500-38-6Y: 1.58 WAS 1.56 REVISED DIMENSION G FOR LAMA500-38-6Y: .74 WAS .71	10N006AS-NC
10	11/15	JHNU	JHNU	RGB	REVISED NOTE 2: LAMA300, LAMA600S, LAMA1000 ARE UL/CSA LAMA350, LAMA500, LAMA600, ARE cULus	10N006AS-NC
09	11/14	JHNU	JHNU	RGB	REVISED E DIMENSION FOR LAMA600-38-6Y: 1.60 WAS 1.50	10N006AS-NC
08	3/14	JHNU	JHNU	RGB	REVISED B DIMENSION FOR LAMA350-38-QY: 2.26 WAS 2.25	10N006AS-NC
07	2/13	JHNU	JHNU	RGB	REVISED TITLE BLOCK	10N006AS-NC

TITLE LAMA SERIES 300kcmil THRU 1000kcmil ALUMINUM MECHANICAL LUGS CUSTOMER DRAWING						
ITEM REVISION NAME	10N006AS/11					
DATASET FILE NAME	10N006AS-NC/11.SLDDRW					
UNLESS OTHERWISE SPECIFIED, DIMENSIONAL TOLERANCES ARE: IN [mm]						
.X ± .XXX ± .XX ± ANGLES ±						
THIRD ANGLE PROJECTION						
DRAWN BY	DATE	CHK	SCALE	DRAWING NUMBER		
JHNU	2/06	RGB	NONE	10N006AS-NC		
SHEET 1 OF 1						SIZE B

# Mouser Electronics

Authorized Distributor

Click to View Pricing, Inventory, Delivery & Lifecycle Information:

Panduit:

[LAMA500-38-6](#) [LAMA500-38-6Y](#) [LAMA600-38-6Y](#) [LAMA300-56-QY](#) [LAMA600S-38-6Y](#) [LAMA350-38-QY](#)  
[LAMA1000-58-6Y](#)