

Notice: You cannot copy or search for text in this PDF file, because this PDF file is converted from the scanned image of printed materials.

P1 98.2

# MOS FIELD EFFECT POWER TRANSISTORS 2SK2134, 2SK2134-Z

## SWITCHING N-CHANNEL POWER MOS FET INDUSTRIAL USE

### DESCRIPTION

The 2SK2134, 2SK2134-Z are N-channel Power MOS Field Effect Transistors designed for high voltage switching applications.

### FEATURES

- Low On-state Resistance  
 $R_{DS(on)} = 0.4 \Omega \text{ MAX. (} V_{GS} = 10 \text{ V, } I_D = 7.0 \text{ A)}$
- Low  $C_{iss}$   $C_{iss} = 500 \text{ pF TYP.}$
- High Avalanche Capability Ratings

### QUALITY GRADE

Standard

Please refer to "Quality grade on NEC Semiconductor Devices" (Document number IEI-1209) published by NEC Corporation to know the specification of quality grade on the devices and its recommended applications.

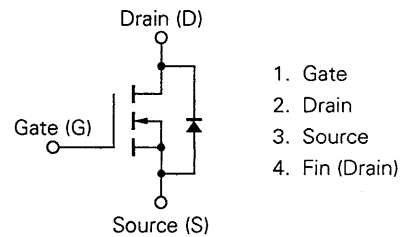
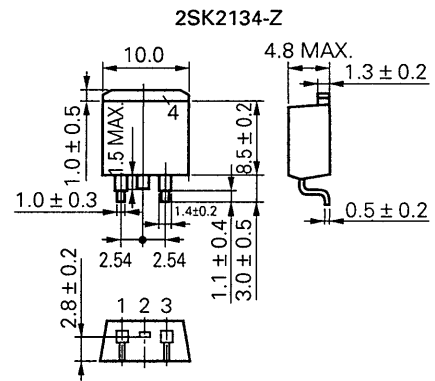
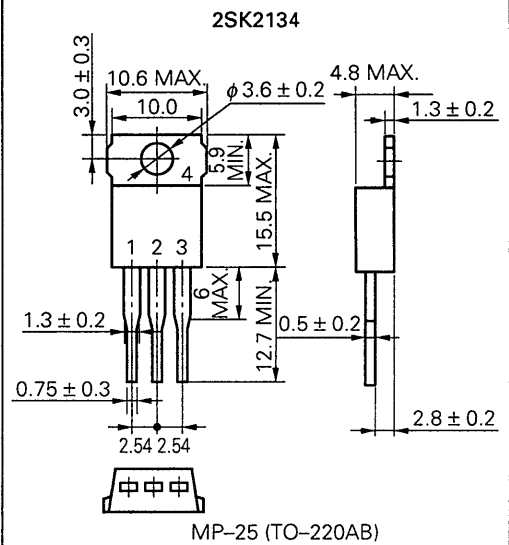
### ABSOLUTE MAXIMUM RATINGS

Drain to Source Voltage	$V_{DSS}$	200	V
Gate to Source Voltage	$V_{GSS}$	$\pm 30$	V
Drain Current (DC)	$I_{D(DS)}$	$\pm 13$	A
Drain Current (pulse)	$I_{D(pulse)^*}$	$\pm 39$	A
Single Avalanche Current**	$I_{AS}$	13	A
Single Avalanche Energy**	$E_{AS}$	33.8	mJ
Total Power Dissipation ( $T_a = 25 \text{ }^\circ\text{C}$ )	$P_{T1}$	1.5	W
Total Power Dissipation ( $T_c = 25 \text{ }^\circ\text{C}$ )	$P_{T2}$	70	W
Storage Temperature	$T_{stg}$	-55 to +150	$^\circ\text{C}$
Channel Temperature	$T_{ch}$	150	$^\circ\text{C}$

\*  $PW \leq 10 \mu\text{s}$ , Duty Cycle  $\leq 1 \%$

\*\* Starting  $T_{ch} = 25 \text{ }^\circ\text{C}$ ,  $R_G = 25 \Omega$ ,  $V_{GS} = 20 \text{ V} \rightarrow 0$

### PACKAGE DIMENSIONS (Unit : mm)

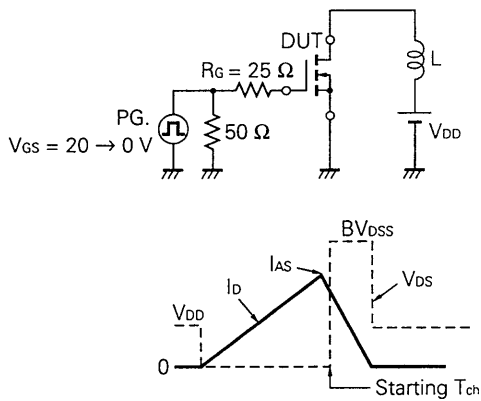


(Diode in the figure is the parasitic diode)

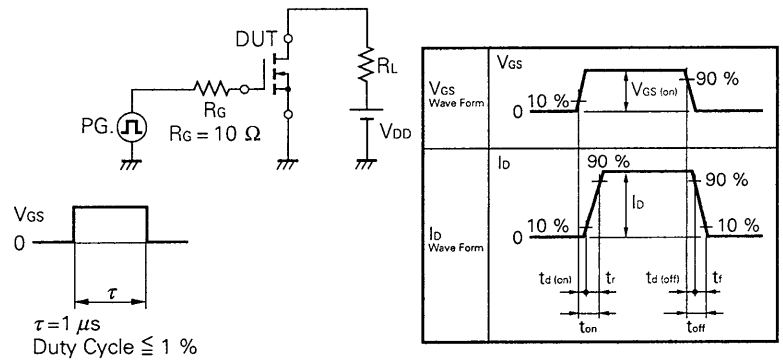
**ELECTRICAL CHARACTERISTICS (T<sub>a</sub> = 25 °C)**

CHARACTERISTIC	SYMBOL	MIN.	TYP.	MAX.	UNIT	TEST CONDITIONS
Drain to Source On-state Resistance	R <sub>Ds(on)</sub>		0.3	0.4	Ω	V <sub>GS</sub> = 10 V, I <sub>D</sub> = 7.0 A
Gate to Source Cutoff Voltage	V <sub>GS(off)</sub>	2.0		4.0	V	V <sub>DS</sub> = 10 V, I <sub>D</sub> = 1 mA
Forward Transfer Admittance	y <sub>fs</sub>	2.0			S	V <sub>DS</sub> = 10 V, I <sub>D</sub> = 7.0 A
Drain Leakage Current	I <sub>DSS</sub>			100	μA	V <sub>DS</sub> = 200 V, V <sub>GS</sub> = 0
Gate to Source Leakage Current	I <sub>GSS</sub>			±100	nA	V <sub>GS</sub> = ±30 V, V <sub>DS</sub> = 0
Input Capacitance	C <sub>iss</sub>		500		pF	V <sub>DS</sub> = 10 V V <sub>GS</sub> = 0 f = 1 MHz
Output Capacitance	C <sub>oss</sub>		230		pF	
Reverse Transfer Capacitance	C <sub>rss</sub>		60		pF	
Turn-On Delay Time	t <sub>d(on)</sub>		12		ns	V <sub>GS</sub> = 10 V V <sub>DD</sub> = 100 V I <sub>D</sub> = 7.0 A, R <sub>G</sub> = 10 Ω R <sub>L</sub> = 14.3 Ω
Rise Time	t <sub>r</sub>		45		ns	
Turn-Off Delay Time	t <sub>d(off)</sub>		35		ns	
Fall Time	t <sub>f</sub>		12		ns	
Total Gate Charge	Q <sub>G</sub>		15		nC	V <sub>GS</sub> = -10 V I <sub>D</sub> = 13 A V <sub>DD</sub> = 160 V
Gate to Source Charge	Q <sub>GS</sub>		5.0		nC	
Gate to Drain Charge	Q <sub>GD</sub>		8.0		nC	
Diode Forward Voltage	V <sub>FIS(D)</sub>		1.0		V	I <sub>F</sub> = 13 A, V <sub>GS</sub> = 0
Reverse Recovery Time	t <sub>rr</sub>		200		ns	I <sub>F</sub> = 13 A
Reverse Recovery Charge	Q <sub>rr</sub>		0.6		μC	di/dt = 50 A/μs

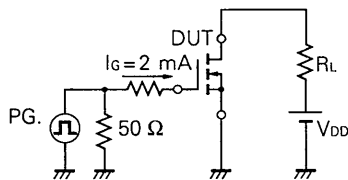
**Test Circuit 1 : Avalanche Capability**



**Test Circuit 2 : Switching Time**

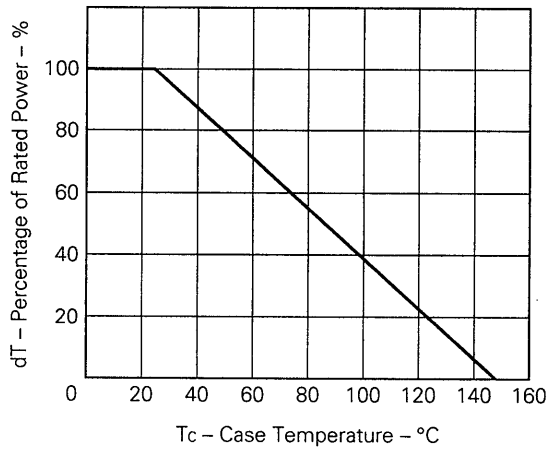


**Test Circuit 3 : Gate Charge**

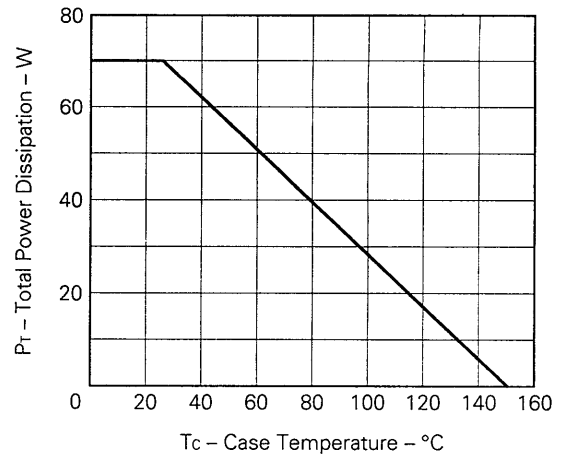


TYPICAL CHARACTERISTICS ( $T_a = 25^\circ\text{C}$ )

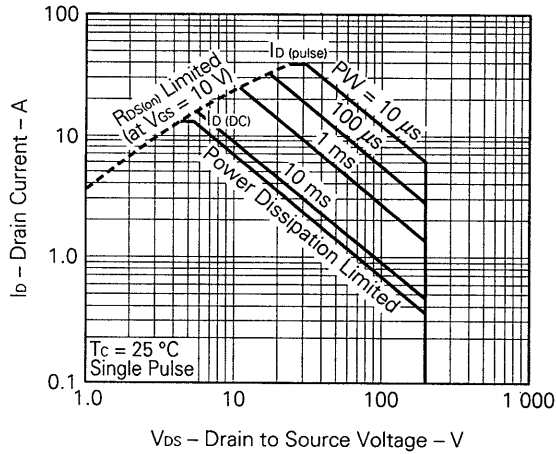
DERATING FACTOR OF FORWARD BIAS SAFE OPERATING AREA



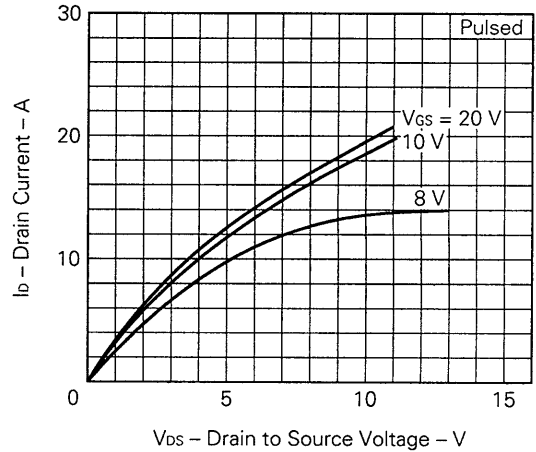
TOTAL POWER DISSIPATION vs. CASE TEMPERATURE



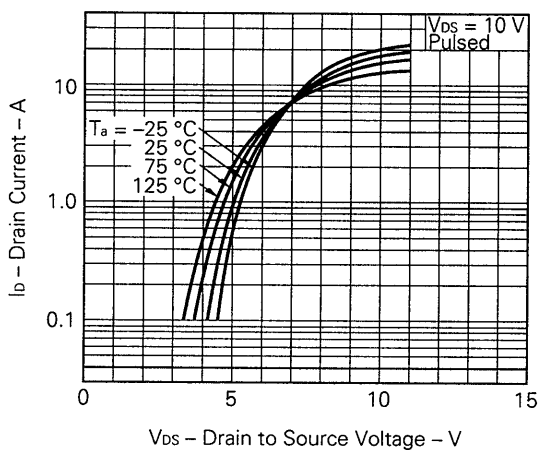
FORWARD BIAS SAFE OPERATING AREA



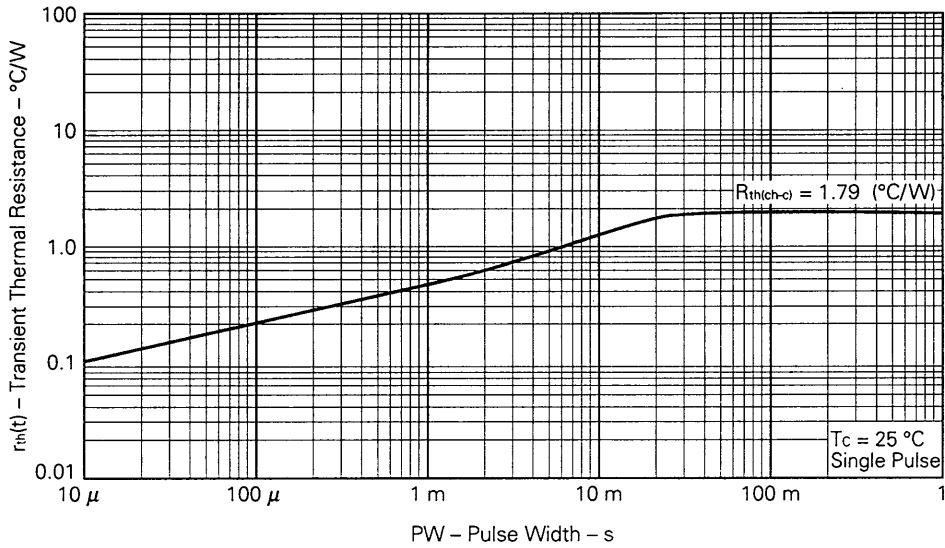
DRAIN CURRENT vs. DRAIN TO SOURCE VOLTAGE



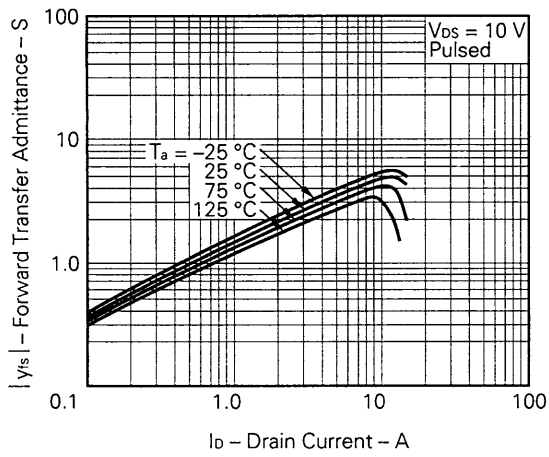
TRANSFER CHARACTERISTICS



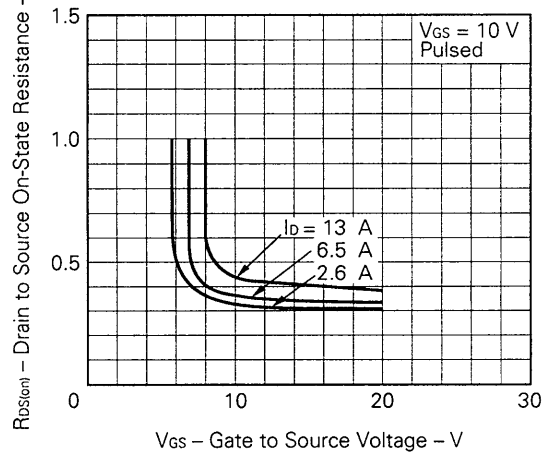
TRANSIENT THERMAL RESISTANCE vs. PULSE WIDTH



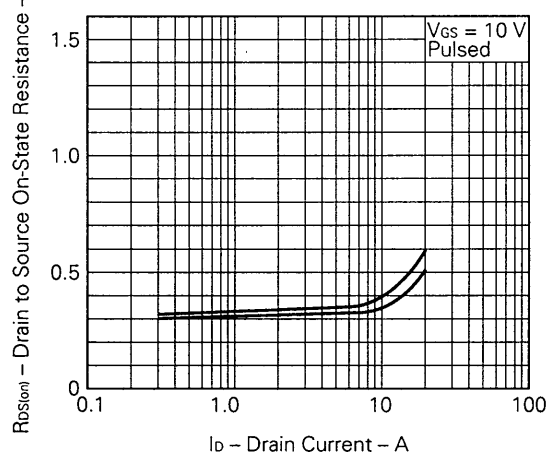
FORWARD TRANSFER ADMITTANCE vs. DRAIN CURRENT



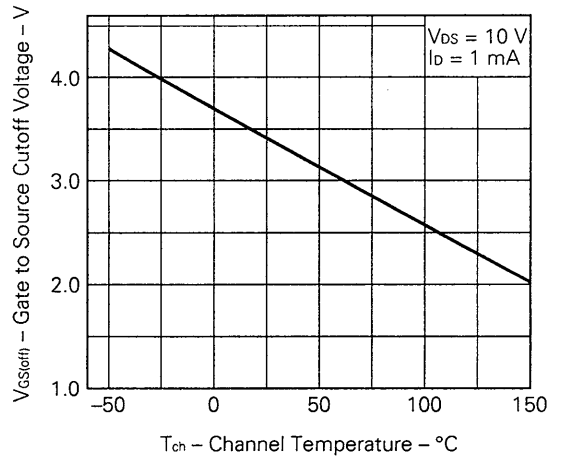
DRAIN TO SOURCE ON-STATE RESISTANCE vs. GATE TO SOURCE VOLTAGE

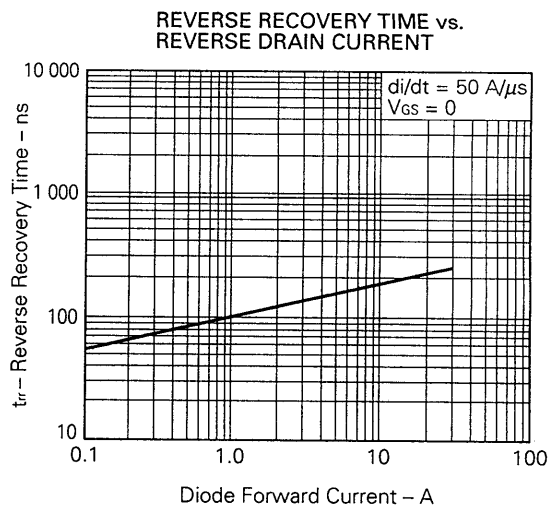
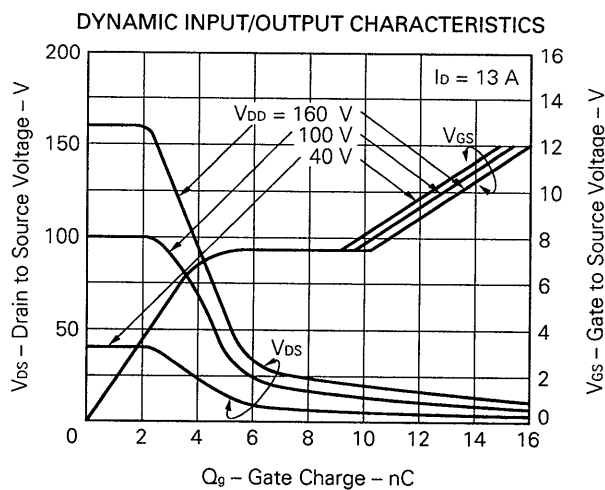
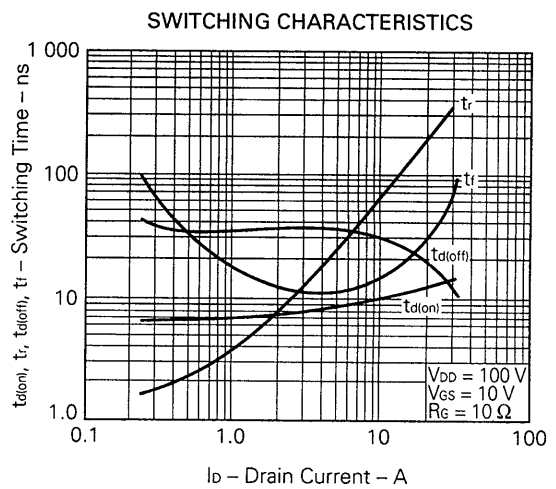
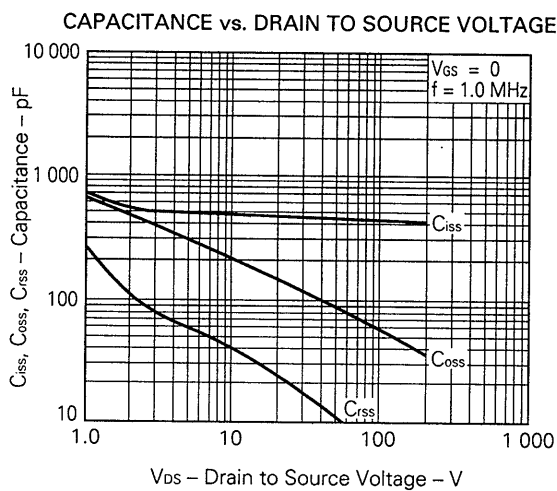
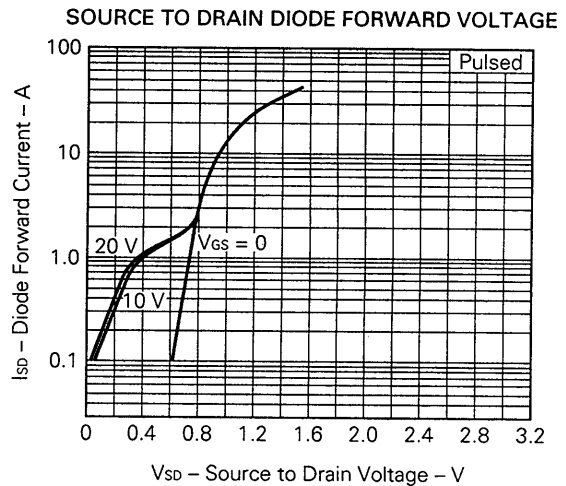
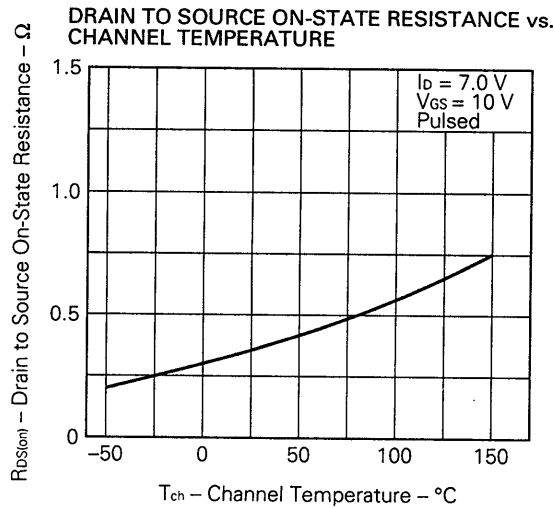


DRAIN TO SOURCE ON-STATE RESISTANCE vs. DRAIN CURRENT

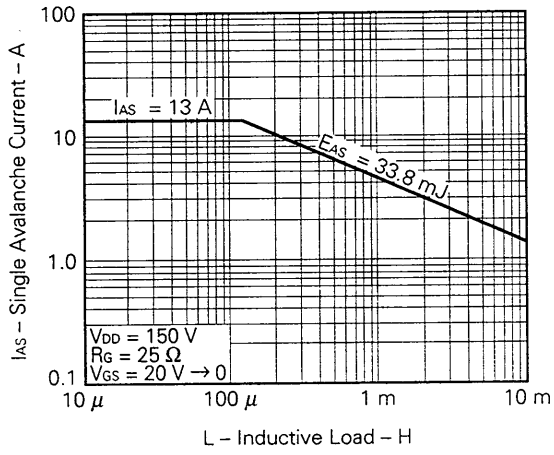


GATE TO SOURCE CUTOFF VOLTAGE vs. CHANNEL TEMPERATURE

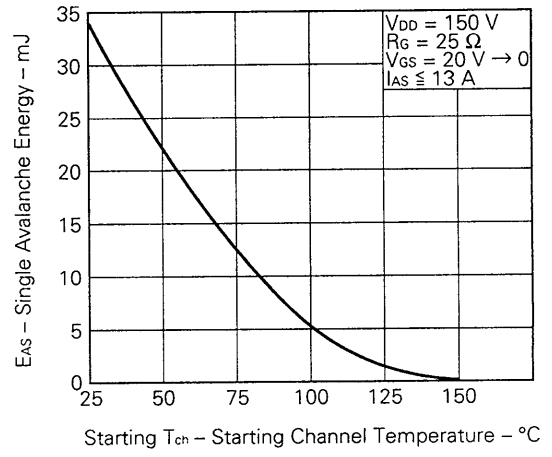




SINGLE AVALANCHE CURRENT vs. INDUCTIVE LOAD



SINGLE AVALANCHE ENERGY vs. STARTING CHANNEL TEMPERATURE



**Reference**

Application note name	No.
Safe operating area of Power MOS FET.	TEA-1034
Application circuit using Power MOS FET.	TEA-1035
Quality control of NEC semiconductors devices.	TEI-1202
Quality control guide of semiconductors devices.	MEI-1202
Assembly manual of semiconductors devices.	IEI-1207



[MEMO]

No part of this document may be copied or reproduced in any form or by any means without the prior written consent of NEC Corporation. NEC Corporation assumes no responsibility for any errors which may appear in this document.

NEC Corporation does not assume any liability for infringement of patents, copyrights or other intellectual property rights of third parties by or arising from use of a device described herein or any other liability arising from use of such device. No license, either express, implied or otherwise, is granted under any patents, copyrights or other intellectual property rights of NEC Corporation or others.

The devices listed in this document are not suitable for use in aerospace equipment, submarine cables, nuclear reactor control systems and life support systems. If customers intend to use NEC devices for above applications or they intend to use "Standard" quality grade NEC devices for applications not intended by NEC, please contact our sales people in advance.

Application examples recommended by NEC Corporation.

Standard: Computer, Office equipment, Communication equipment, Test and Measurement equipment, Machine tools, Industrial robots, Audio and Visual equipment, Other consumer products, etc.

Special: Automotive and Transportation equipment, Traffic control systems, Antidisaster systems, Anticrime systems, etc.