



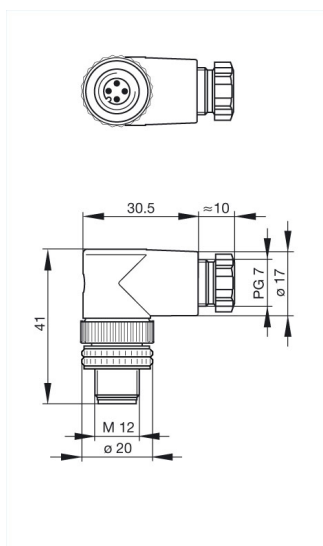
## ELWIST 4012 PG7

Circular Connectors E-series M12/FIXCON:with screw locking:Angled cable plug, self-assembled

### Product description

Description	Angled cable plug, unassembled, strain relief by means of clamping cage
Type	ELWIST 4012 PG7
Order No.	933 165-100
Type of contact	male
Number of contacts	4
Cable gland	PG 7
Conductor size	max. 0.75 mm <sup>2</sup>
Standard	IEC 61076-2-101 (Ed. 1)/ IEC 60947-5-2
Housing Color	black

### Drawing



### Technical data

Pin dimensions	1 mm
Rated voltage	250 V AC/DC
Rated current	4 A
Type of termination	screw
Suitable cables	diameter 4 mm to 6 mm

### Material

Contact material	Cu Zn
Contact surface material	Sn
Contact bearer material	PA
Housing material	PA
Coupling nut material	Zn Al/Ni
O-Ring	NBR

### Environmental conditions

Protection class (IEC 60529)	IP 67
Pollution severity	3
Temperature range	-25 °C to +90 °C

**Inflammability class**

Housing	94 V-2
Contact bearer	94 V-2

**Approvals**

UL	UL pending
----	------------

**Packaging unit**

Packaging unit	100 pieces
----------------	------------