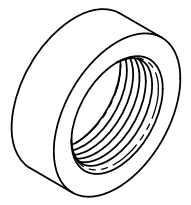


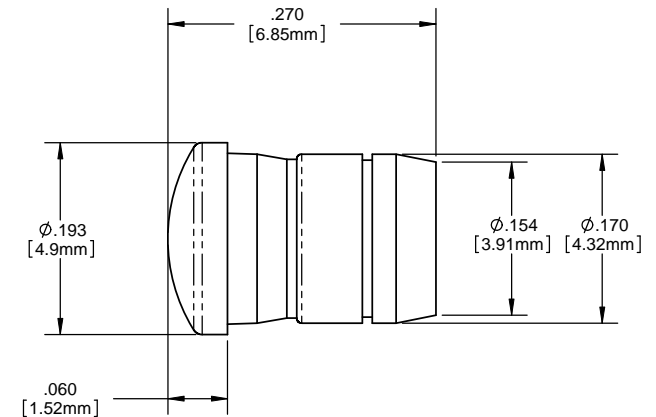
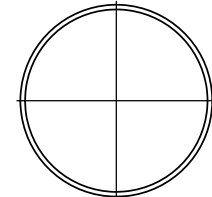
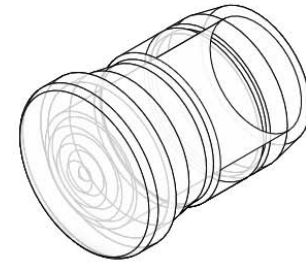
- NOTES:**
- MOUNTING:** Mounts in a $\phi .171 \pm .002$ [$\phi 4.34\text{mm} \pm .05$] panel hole on $.250$ [6.35mm] centers. Panel thickness $.031$ [$.8\text{mm}$] to $.094$ [2.39mm]. Panel hole should be deburred, but not chamfered.
 - ASSEMBLY:** Insert lens through panel hole, slide RNG 132 retainer on back of lens. PCB mounted LEDs slide into lens when the panel cover is closed or the PCB card is inserted into the case.
 - MATERIAL:** Polycarbonate, UL 94-V2
 - U.S. & Foreign Pat. Issued & Pend.**

REVISIONS				
ECN#	REV.	DESCRIPTION	DATE	INITIALS
	001	REVISED PER ECR111009AZ01	4-23-10	SMU

RETAINER
(ORDER SEPARATELY)



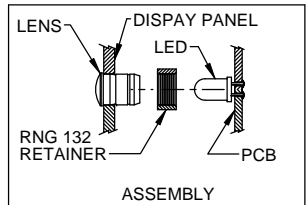
RNG 132



ORDERING CODE : **SMC 170 XXX**

MODEL

LENS COLOR	
RTP	RED TRANSPARENT
ATP	AMBER TRANSPARENT
GTP	GREEN TRANSPARENT
BTP	BLUE TRANSPARENT
YTP	YELLOW TRANSPARENT
CTP	CLEAR TRANSPARENT



<small>UNLESS OTHERWISE SPECIFIED DIMENSIONS ARE IN INCHES</small> ANGLES DECIMALS $\pm 1^\circ$.X $\pm .020$ FINISH .XXX $\pm .010$.XXX $\pm .005$ <small>BREAK ALL CORNERS AND SHARP EDGES (R) (R)</small>	MATERIAL POLYCARBONATE, UL 94-V2	VISUAL COMMUNICATIONS COMPANY, INC. <small>190 Bosstick Boulevard, Suite 101 San Marcos, CA 92069 USA Phone (760) 560-1300 Fax (760) 560-1301 email vccsales@vccite.com</small>	
	FINISH SEE NOTES	TITLE: 3MM ROUND FRESNEL LOW PROFILE LENS	
<small>THIRD ANGLE PROJECTION</small> 	APPROVAL DATE DRAWN: SMU 4-23-10 CHECKED: DZ 4-23-10 <small>DO NOT SCALE DRAWING</small>	SIZE DWG. NO. B SMC 170 XXX	REV 001 <small>SCALE: 12:1 SHEET 1 OF 1</small>

Mouser Electronics

Authorized Distributor

Click to View Pricing, Inventory, Delivery & Lifecycle Information:

VCC:

[SMC_170_ATP](#) [SMC_170_BTP](#) [SMC_170_CTP](#) [SMC_170_GTP](#) [SMC_170_RTP](#)