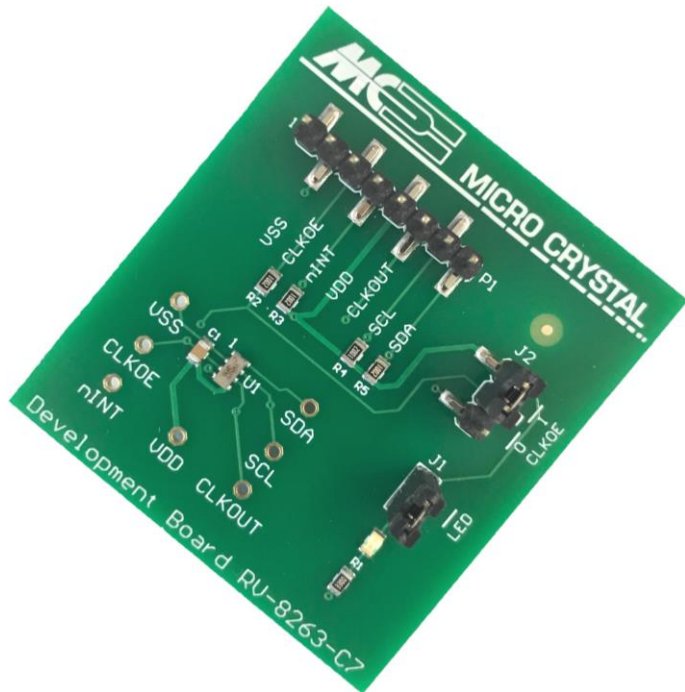


DEVELOPMENT BOARD



RV-8263-C7

Low-Power Real-Time Clock / Calendar Module

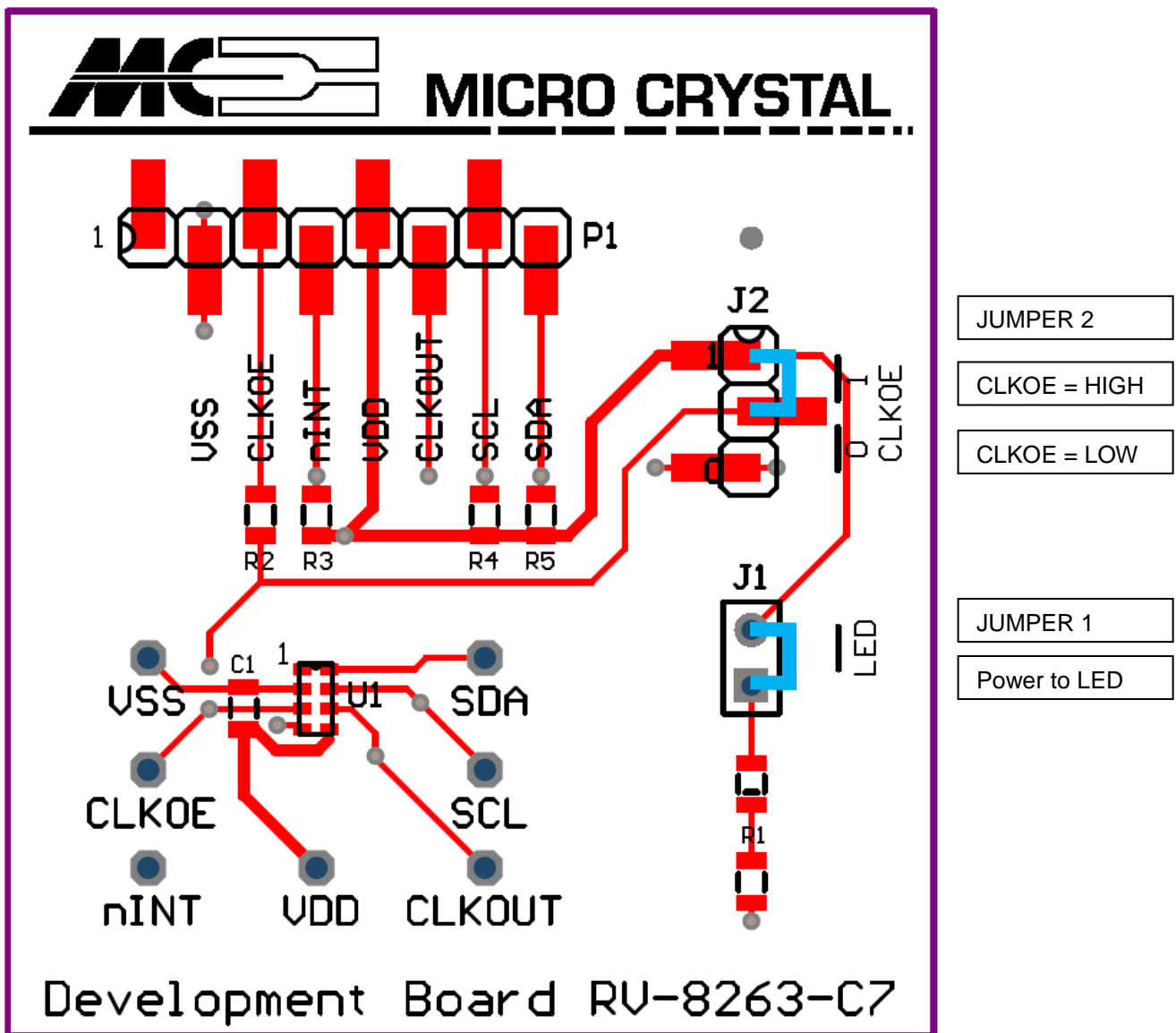
RV-8263-C7

The RV-8263-C7 is soldered onto the Development Board.
 Every pin is either accessible at test pins 1 – 8 or at the test vias situated around the device.

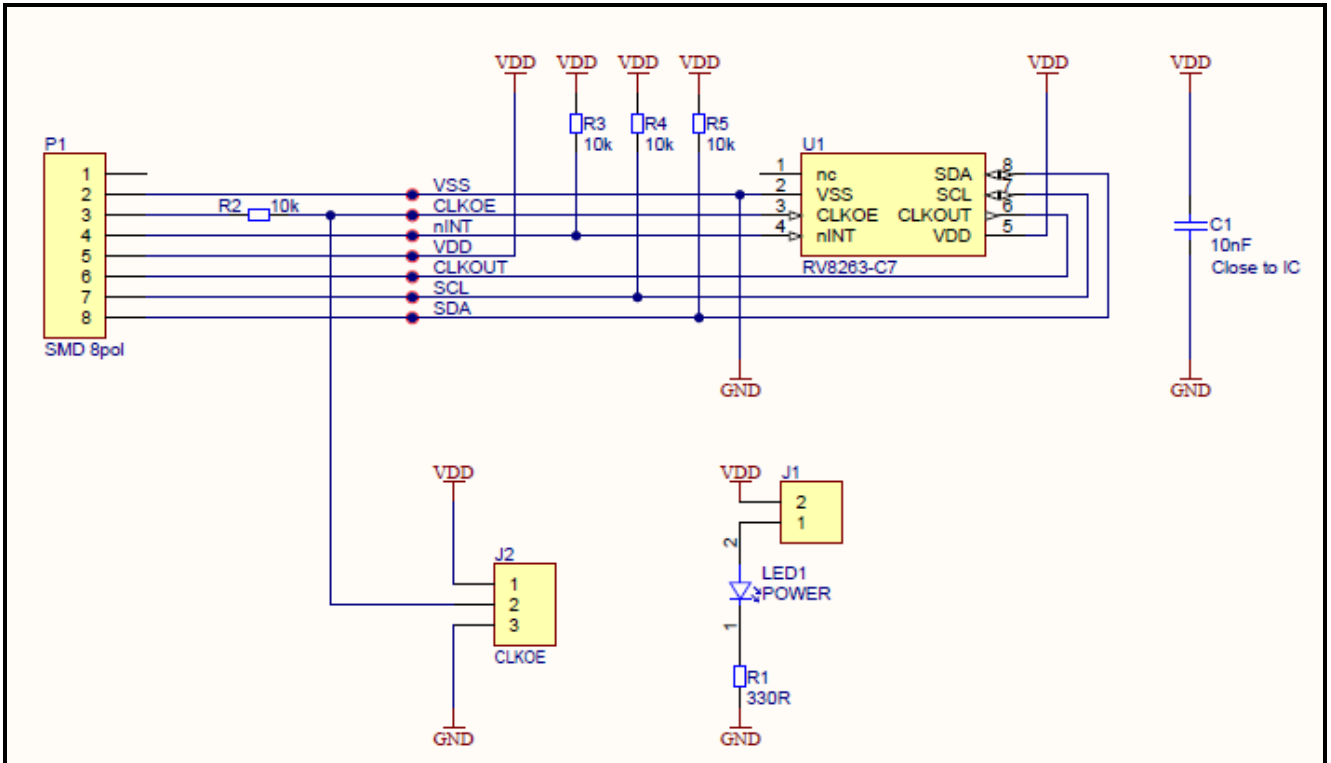
The following passive components are already soldered on the board:

C1	10 nF	Decoupling capacitor between V _{SS} and V _{DD}
R1	330 Ω	Current limiting resistor for LED
LED	green	Supply on, current consumption of the LED has to be considered
R2	10 kΩ	Protection resistor to prevent short-circuit between external CLKOE signal and Jumper
R3	10 kΩ	Pull-up resistor $\overline{\text{INT}}$ to V _{DD}
R4	10 kΩ	Pull-up resistor SCL to V _{DD}
R5	10 kΩ	Pull-up resistor SDA to V _{DD}

DEVELOPMENT BOARD



SCHEMATICS



PINOUT RV-8263-C7

# 1	NC	# 8	SDA
# 2	V _{ss}	# 7	SCL
# 3	CLKOE	# 6	CLKOUT
# 4	$\overline{\text{INT}}$	# 5	V _{DD}

PIN DESCRIPTION

Symbol	Pin #	Description
NC	1	Not connected. Is internally connected and should be left floating.
V _{SS}	2	Ground
CLKOE	3	Input to enable the CLKOUT pin. If CLKOE is HIGH, the CLKOUT pin is in output mode. When CLKOE is tied to Ground, the CLKOUT pin is LOW.
$\overline{\text{INT}}$	4	Interrupt Output; open-drain; active LOW; requires pull-up resistor; Used to output alarm, minute, half minute, countdown timer and compensation Interrupt signals
V _{DD}	5	Power Supply Voltage
CLKOUT	6	Clock Output; push-pull; controlled by CLKOE. If CLKOE is active HIGH, the CLKOUT pin drives the square wave of 32.768 kHz, 16.384 kHz, 8.192 kHz, 4.096 kHz, 2.048 kHz, 1.024 kHz or 1 Hz (Default value is 32.768 kHz). When CLKOE is tied to Ground, the CLKOUT pin is LOW
SCL	7	I2C Serial Clock Input. Requires pull-up resistor.
SDA	8	I2C Serial Data Input-Output. Requires pull-up resistor.

Datasheet and Application-Manual are available for download under: www.microcrystal.com

Mouser Electronics

Authorized Distributor

Click to View Pricing, Inventory, Delivery & Lifecycle Information:

[Micro Crystal:](#)

[RV-8263-C7-EVALUATION-BOARD](#)