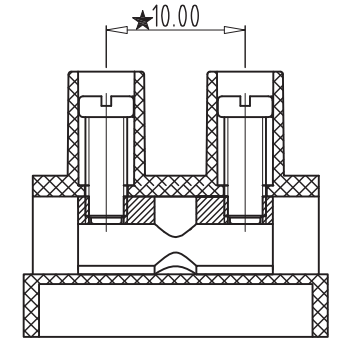
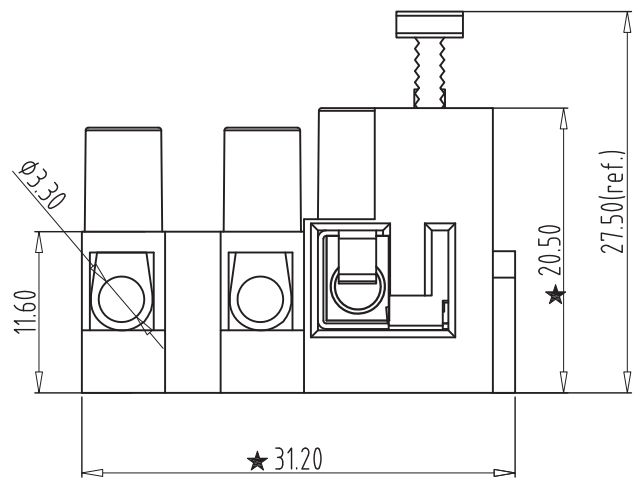
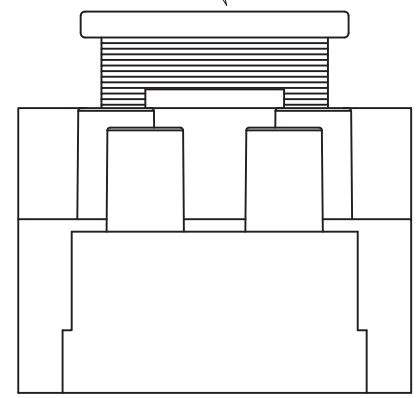


KSE-801H fuse holder - not included, ordered separately

NOTES:

1. Rating: 450V 7.5A;
2. Insulation Withstands Voltage: AC2500V/MIN
3. Insulation Resistance: 500MΩ or more at DC500V
4. Using Temperature Range: -40° C/+105° C
5. Screw Torque Value: 0.5N.m
6. Suitable Electric Wire: 22~14AWG
7. "★" is the important dimension.



Total Pitch Tolerances in mm										Nominal dimension range in mm										⊥	≡	-	//								
over 0	over 30	over 53	over 70	over 90	over 115	over 150	over 250	over 350	over 500	over 0	over 30	over 53	over 70	over 90	over 115	over 150	over 200	over 250	over 320	over 0	over 10	all	over 0	over 100	over 150	over 150					
±0.18	±0.20	±0.25	±0.3	±0.35	±0.44	±0.60	±0.70	±0.85	±0.20	±0.25	±0.30	±0.35	±0.44	±0.55	±0.70	±0.80	±0.90	0.2	0.3	0.3	0.2	0.3	0.5								

ITEM	NAME OF PART	NO. OF PART	Q'TY	MATERIAL			NOTE	
DWG.	ZX	DATE		SIZE	A4	UNITS	mm	SHEET/OF 1 / 1
CHK.		DATE		SCALE				
APP.		DATE		NAME	KSE-801-XX			
KEEN SIDE ELECTRONICS					DWGNO.			