

# SACC-M12MSX-8QO SH PN - Data connector



1411044

<https://www.phoenixcontact.com/us/products/1411044>

Please be informed that the data shown in this PDF document is generated from our online catalog. Please find the complete data in the user documentation. Our general terms of use for downloads are valid.



Data connector, PROFINET CAT6<sub>A</sub> (10 Gbps), 8-position, halogen-free, shielded, Plug straight M12, coding: X, Insulation displacement connection, knurl material: Zinc die-cast, nickel-plated, external cable diameter 5 mm ... 9.7 mm

## Your advantages

- Safe use in the field, thanks to a high degree of protection
- Insulation displacement connection: innovative and time-saving assembly without stripping the single wire
- Reliable signal transmission – 360° shielding in environments with electromagnetic interference

## Commercial data

Item number	1411044
Packing unit	1 pc
Minimum order quantity	1 pc
Sales key	BF31
Product key	BF2CDN
Catalog page	Page 344 (C-2-2017)
GTIN	4046356997898
Weight per piece (including packing)	43.2 g
Weight per piece (excluding packing)	43.2 g
Customs tariff number	85366990
Country of origin	DE

# SACC-M12MSX-8QO SH PN - Data connector



1411044

<https://www.phoenixcontact.com/us/products/1411044>

## Technical data

### Notes

General	This product corresponds to the PROFINET Cabling and Interconnection Technology Guideline for PROFINET regulations, version 2.00, order no: 2.252, Chapter 8.2 Connectors for Outside Environment (Balanced cabling)
General	<b>NOTE:</b> Observe the permissible bending radii when laying conductors, since the degree of protection may be put in jeopardy if the bending forces are too high. Alleviate mechanical loads upstream of the connector, e.g. by using cable ties.

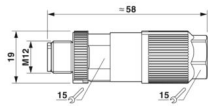
### Product properties

Product type	Circular connector (cable-side)
Sensor type	PROFINET
Number of positions	8
Application	Data
No. of cable outlets	1
Shielded	yes
Coding	X X
Cable outlet	straight

### Insulation characteristics

Overvoltage category	II
Degree of pollution	3

### Dimensions

Dimensional drawing	
Length	58 mm
Wrench size, union nut	15 mm

### External dimensions

Outside diameter	5 mm ... 9.7 mm
------------------	-----------------

### Housing

Diameter housing	19 mm
------------------	-------

### Material specifications

Flammability rating according to UL 94	V0
Seal material	NBR
Material of grip body	Zinc die-cast, nickel-plated

# SACC-M12MSX-8QO SH PN - Data connector



1411044

<https://www.phoenixcontact.com/us/products/1411044>

Contact material	CuSn
Contact surface material	Ni/Au
Contact carrier material	PA 6.6
Material for screw connection	Zinc die-cast, nickel-plated
Standards/regulations	PA 6.6: Fire protection in rail vehicles - requirement sets R22, R23, R24, and R26 acc. to DIN EN 45545-2 (Risk level HL1 - HL3)
Wire insulation material	PVC / PE / PP / rubber

## Connection data

### Conductor connection

Connection method	Insulation displacement connection
Connection cross section	0.25 mm <sup>2</sup> ... 0.5 mm <sup>2</sup> (flexible)
	0.25 mm <sup>2</sup> ... 0.5 mm <sup>2</sup> (solid)
Connection cross section AWG	24 ... 20 (flexible)
	24 ... 20 (solid)
Tightening torque	M12 knurl
	5 Nm (Pressure nut)

### Pin assignment

Contact   Color (signal designation)   Contact (optional)	1 = YE
	2 = OG
	3 = WH
	4 = BU

## Electrical properties

Rated surge voltage	0.8 kV
Insulation resistance	≥ 100 MΩ
Nominal voltage U <sub>N</sub>	48 V AC
	60 V DC
Nominal current I <sub>N</sub>	0.5 A

## Mechanical properties

### Mechanical data

Insertion/withdrawal cycles	≥ 100
-----------------------------	-------

## Connector

### Connection 1

Head design	Plug
Head cable outlet	straight
Head thread type	M12
Coding	X

## Cable/line

# SACC-M12MSX-8QO SH PN - Data connector



1411044

<https://www.phoenixcontact.com/us/products/1411044>

Signal type/category	PROFINET CAT6 <sub>A</sub> (IEC 11801), 10 Gbps
----------------------	---

## Environmental and real-life conditions

### Ambient conditions

Degree of protection	IP65
	IP67
Ambient temperature (operation)	-40 °C ... 85 °C (Plug / socket)
Ambient temperature (assembly)	-5 °C ... 50 °C

## Standards and regulations

### Testing

Standards/regulations	PA 6.6: Fire protection in rail vehicles - requirement sets R22, R23, R24, and R26 acc. to DIN EN 45545-2 (Risk level HL1 - HL3)
-----------------------	--

### M12

Standard designation	M12 connector
Standards/specifications	based on IEC 61076-2-109
Standard designation	Shock, vibration
Standards/specifications	EN 50155:2001

# SACC-M12MSX-8QO SH PN - Data connector

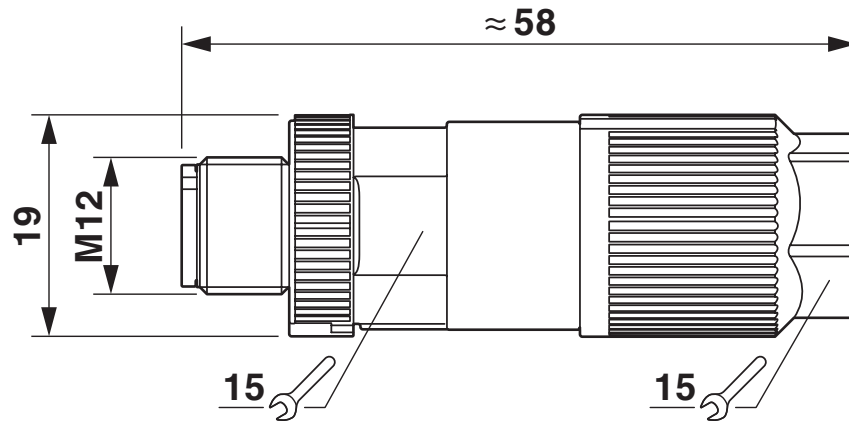


1411044

<https://www.phoenixcontact.com/us/products/1411044>

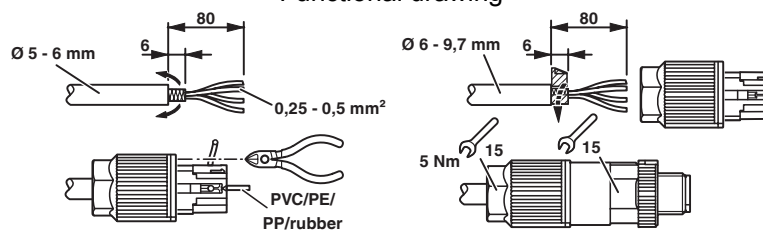
## Drawings

Dimensional drawing



Plug, M12 x 1, straight, shielded

Functional drawing

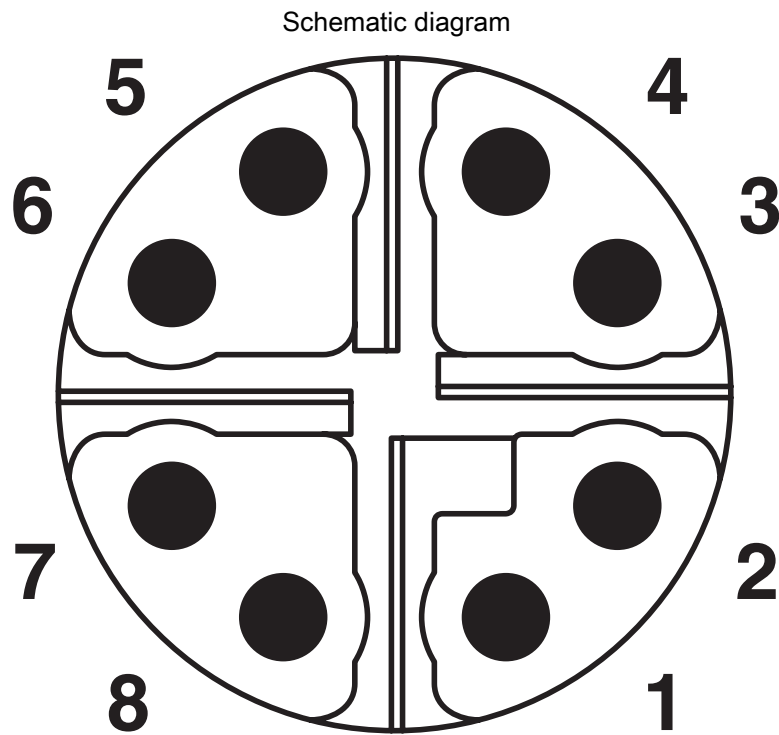


# SACC-M12MSX-8QO SH PN - Data connector



1411044

<https://www.phoenixcontact.com/us/products/1411044>



Pin assignment M12 plug, 8-pos., view plug side

# SACC-M12MSX-8QO SH PN - Data connector



1411044

<https://www.phoenixcontact.com/us/products/1411044>

## Approvals

To download certificates, visit the product detail page: <https://www.phoenixcontact.com/us/products/1411044>



**EAC**

Approval ID: RU C-DE.BL08.B.00511



**UL Listed**

Approval ID: E335024-20120831



**cUL Listed**

Approval ID: E335024-20120831

**cULus Listed**

# SACC-M12MSX-8QO SH PN - Data connector



1411044

<https://www.phoenixcontact.com/us/products/1411044>

## Classifications

### ECLASS

ECLASS-11.0	27440102
ECLASS-12.0	27440116
ECLASS-13.0	27440116

### ETIM

ETIM 9.0	EC002635
----------	----------

### UNSPSC

UNSPSC 21.0	39121400
-------------	----------



# SACC-M12MSX-8QO SH PN - Data connector



1411044

<https://www.phoenixcontact.com/us/products/1411044>

## Environmental product compliance

China RoHS	Environmentally friendly use period: unlimited = EFUP-e
	No hazardous substances above threshold values

# SACC-M12MSX-8QO SH PN - Data connector



1411044

<https://www.phoenixcontact.com/us/products/1411044>

## Accessories

### VS-08-RJ45-FOLIEN-SET - Shielding foil

1417184

<https://www.phoenixcontact.com/us/products/1417184>

Shielding foil set, 25 pieces, replacement for RJ45 and M12 Quickon connector



---

### PROT-M12 FS-PA-CHAIN - Sealing cap

1430873

<https://www.phoenixcontact.com/us/products/1430873>

M12 sealing cap made of plastic with fixing band, for sensor cables, for free M12 plugs



# SACC-M12MSX-8QO SH PN - Data connector



1411044

<https://www.phoenixcontact.com/us/products/1411044>

## TSD 04 SAC - Torque screwdriver

1208429

<https://www.phoenixcontact.com/us/products/1208429>



Torque screwdriver, with preset torque of 0.4 Nm and 4 mm hexagonal drive for M12 connectors

---

## SACC BIT M12-D20 - Tool

1208445

<https://www.phoenixcontact.com/us/products/1208445>



Nut for assembling M12 connectors for assembly with a knurl diameter of 20 mm, for 4 mm hexagonal drive

# SACC-M12MSX-8QO SH PN - Data connector



1411044

<https://www.phoenixcontact.com/us/products/1411044>

## TSD-M 1,2NM - Torque screwdriver

1212224

<https://www.phoenixcontact.com/us/products/1212224>



Torque screw driver, accuracy as per EN ISO 6789 standard, adjustable from 0.3 - 1.2 Nm

---

## TSD-M SAC-BIT ADAPTER - Adapter insert

1212600

<https://www.phoenixcontact.com/us/products/1212600>



Adapter bit for TSD-M...torque tools, E6.3-1/4" drive with 4 mm hexagon to accommodate SAC bits

# SACC-M12MSX-8QO SH PN - Data connector



1411044

<https://www.phoenixcontact.com/us/products/1411044>

## WIREFOX-D 40 - Stripping tool

1212161

<https://www.phoenixcontact.com/us/products/1212161>



**Stripping tool**, for stripping cables of 4.5 mm - 40 mm-Ø, insulation thickness of up to 4.5 mm, pivoting blade for round, lengthwise, and spiral cuts

---

## MICROFOX-SB - Diagonal cutter

1212489

<https://www.phoenixcontact.com/us/products/1212489>



Electronic diagonal cutter, round head, without chamfer, with opening spring, mirror-polished and oiled, 2-component grip, cutting capacity: soft 0.2 - 2.0 mm; medium hard 1.2 mm; hard 0.5 mm diameter

# SACC-M12MSX-8QO SH PN - Data connector

1411044

<https://www.phoenixcontact.com/us/products/1411044>



## VS-CABLE-STRIP-VARIO - Stripping tool

1657407

<https://www.phoenixcontact.com/us/products/1657407>

Stripping tool, for the multi-level stripping of shielded cables



---

Phoenix Contact 2024 © - all rights reserved

<https://www.phoenixcontact.com>

Phoenix Contact USA  
586 Fulling Mill Road  
Middletown, PA 17057, United States  
(+717) 944-1300  
[info@phoenixcon.com](mailto:info@phoenixcon.com)