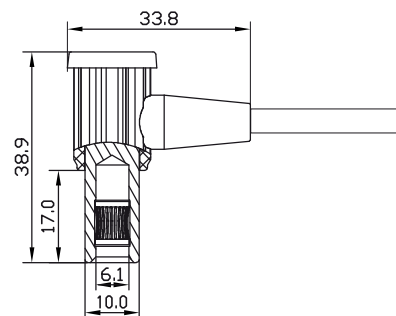
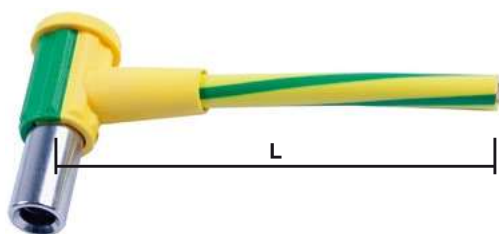


**POAG-HK.../KBT6-EC**

Highly flexible connecting leads with green-yellow insulation for potential equal-

ization. One end with assembled right-angled, spring-loaded socket, other end open lead. Socket made of nickel-plated brass

with MULTILAM made of gold-plated, hard-drawn copper alloy. Various lead cross sections available.



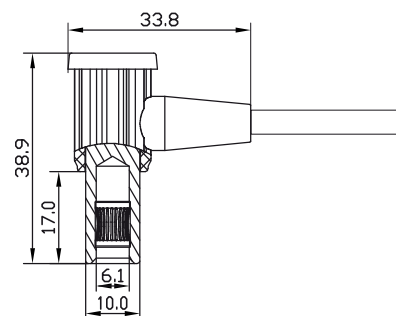
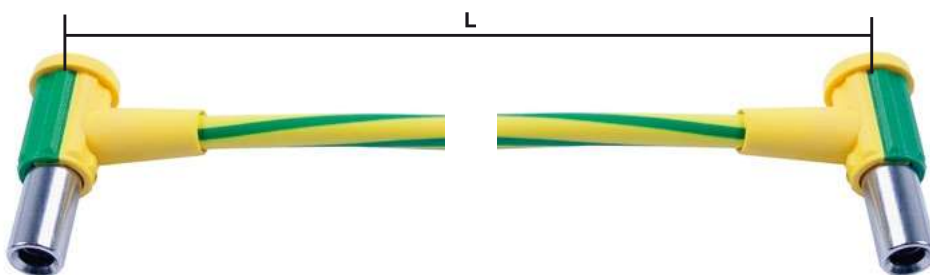
Order No.	Type	Lead cross section		Lead lengths L [cm]	Color	
55.3221-□20	POAG-HK4/KBT6-EC	4.0 mm <sup>2</sup>	max. Ø 5.9 mm	<div style="display: flex; align-items: center;"> <div style="border: 1px solid black; padding: 2px; margin-right: 5px;">Ni</div> <div style="border: 1px solid black; padding: 2px; margin-right: 5px;">PVC</div> <div style="font-size: 24px; font-weight: bold; margin-right: 5px;">TÜV<sup>1)</sup></div> </div>	100 200 300 400	20
55.3226-□20	POAG-HK6/KBT6-EC	6.0 mm <sup>2</sup>			<div style="display: flex; align-items: center;"> <div style="border: 1px solid black; padding: 2px; margin-right: 5px;">Ni</div> <div style="border: 1px solid black; padding: 2px; margin-right: 5px;">PVC</div> <div style="font-size: 24px; font-weight: bold; margin-right: 5px;">TÜV<sup>1)</sup></div> </div>	100 200 300 400

**POAG-HK.../KBT6-EC/KBT6-EC**

Highly flexible connecting leads with green-yellow insulation for potential equal-

ization. On both ends with assembled right-angled, spring-loaded socket. Sockets made of nickel-plated brass with MULTILAM

made of gold-plated, hard-drawn copper alloy. Various lead cross sections available.



Order No.	Type	Lead cross section		Lead lengths L [cm]	Color	
55.3222-□20	POAG-HK4/KBT6-EC/KBT6-EC	4.0 mm <sup>2</sup>	max. Ø 5.9 mm	<div style="display: flex; align-items: center;"> <div style="border: 1px solid black; padding: 2px; margin-right: 5px;">Ni</div> <div style="border: 1px solid black; padding: 2px; margin-right: 5px;">PVC</div> <div style="font-size: 24px; font-weight: bold; margin-right: 5px;">TÜV<sup>1)</sup></div> </div>	100 200 300 400	20
55.3227-□20	POAG-HK6/KBT6-EC/KBT6-EC	6.0 mm <sup>2</sup>			<div style="display: flex; align-items: center;"> <div style="border: 1px solid black; padding: 2px; margin-right: 5px;">Ni</div> <div style="border: 1px solid black; padding: 2px; margin-right: 5px;">PVC</div> <div style="font-size: 24px; font-weight: bold; margin-right: 5px;">TÜV<sup>1)</sup></div> </div>	100 200 300 400

<sup>1)</sup> These parts have been tested by TÜV Rheinland. Certificate no. R 60116228