

AMPHENOL PART NUMBER CONFIGURATION
U95-T1X1-1XXX

HEAT SINK OPTION

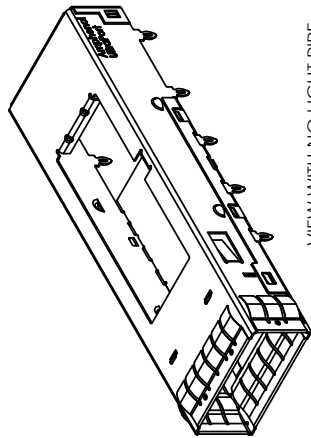
- 1 = NO HEAT SINK OR CLIP SHIPPED
- 5 = ROUND PIN STYLE (H=6.5mm; SAN HEIGHT)--(NOT AVAILABLE WITH QUAD LIGHT PIPE)
- 6 = ROUND PIN STYLE (H=4.2mm; PCI HEIGHT)--(NOT AVAILABLE WITH QUAD LIGHT PIPE)
- 7 = ROUND PIN STYLE (H=13.5mm; TALL)--(NOT AVAILABLE WITH QUAD LIGHT PIPE)
- A = SQUARE PIN STYLE (H=6.5mm; SAN HEIGHT)
- B = SQUARE PIN STYLE (H=4.2mm; PCI HEIGHT)
- C = SQUARE PIN STYLE (H=13.5mm; TALL)
- N = PIN-FIN STYLE FOR SIDE TO SIDE AIR FLOW (H=6.5mm; SAN HEIGHT)
- P = PIN-FIN STYLE FOR SIDE TO SIDE AIR FLOW (H=4.2mm; PCI HEIGHT)
- R = PIN-FIN STYLE FOR SIDE TO SIDE AIR FLOW (H=13.5mm; TALL)
- V = EXTRUDED FIN STYLE FOR FRONT - BACK AIR FLOW (H=6.94mm)
- W = EXTRUDED FIN STYLE FOR FRONT - BACK AIR FLOW (H=8.72mm)

NOTE: FOR DIMENSION "H" SEE SHEET 2

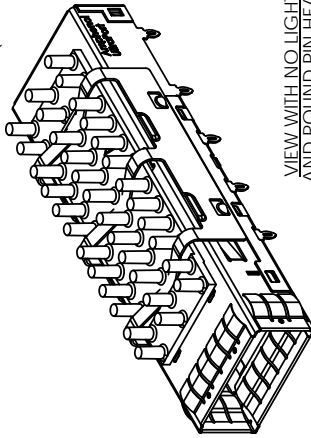
PACKAGING OPTION
1 = TRAY PACKAGING (LIGHT PIPE AND/OR HEAT SINK SHIPPED LOOSE IF ORDERED)
A = TRAY PACKAGING (LIGHT PIPE AND/OR HEAT SINK ASSEMBLED TO THE CAGE)

OPTIONAL LIGHT PIPE
0 = NO LIGHT PIPE
1 = DUAL BARREL LIGHT PIPE - ROUND OUTLET
7 = SINGLE BARREL LIGHT PIPE - ROUND OUTLET
4 = QUAD BARREL LIGHT PIPE - ROUND OUTLET

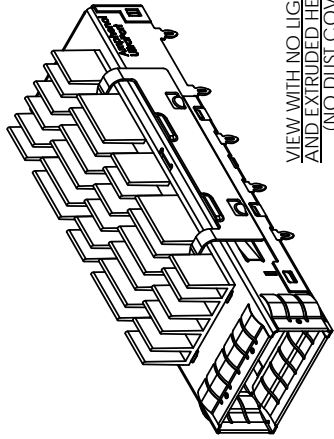
OPTIONAL DUST COVER (CONDUCTIVE)
0 = WITHOUT DUST COVER
D = WITH DUST COVER (SHIPPED LOOSE PIECE)



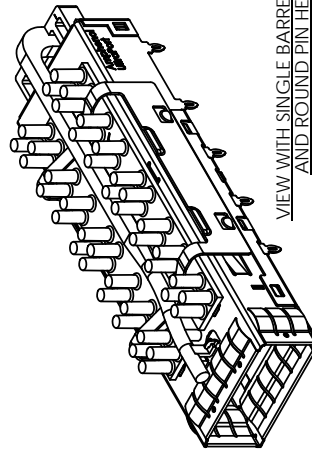
VIEW WITH NO LIGHT PIPE
AND NO HEAT SINK
(NO DUST COVER)
(P/N U95-1111-100T)



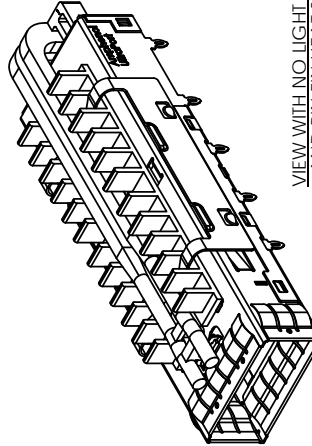
VIEW WITH NO LIGHT PIPE
AND ROUND PIN HEAT SINK
(NO DUST COVER)
(P/N U95-1151-100A)



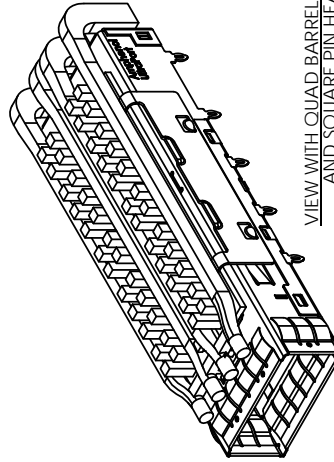
VIEW WITH NO LIGHT PIPE
AND EXTRUDED HEAT SINK
(NO DUST COVER)
(P/N U95-11W1-100A)



VIEW WITH SINGLE BARREL LIGHT PIPE
AND ROUND PIN HEAT SINK
(NO DUST COVER)
(P/N U95-1151-107A)



VIEW WITH NO LIGHT PIPE
AND PIN FIN HEAT SINK
(NO DUST COVER)
(P/N U95-11N1-101A)



VIEW WITH QUAD BARREL LIGHT PIPE
AND SQUARE PIN HEAT SINK
(NO DUST COVER)
(P/N U95-11A1-104A)



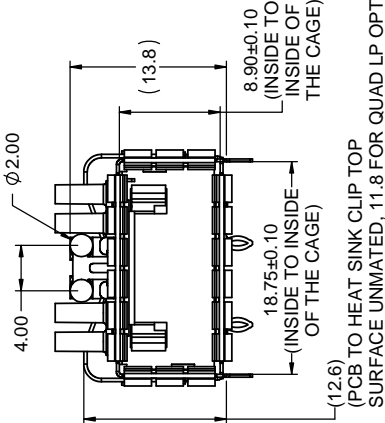
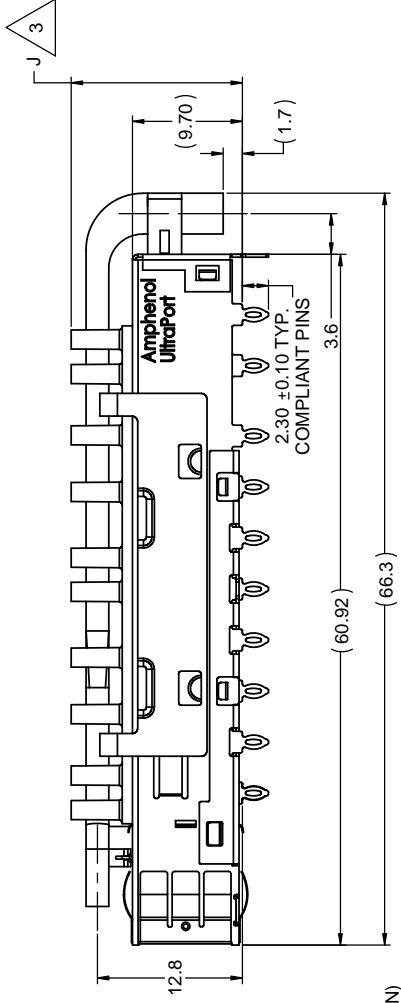
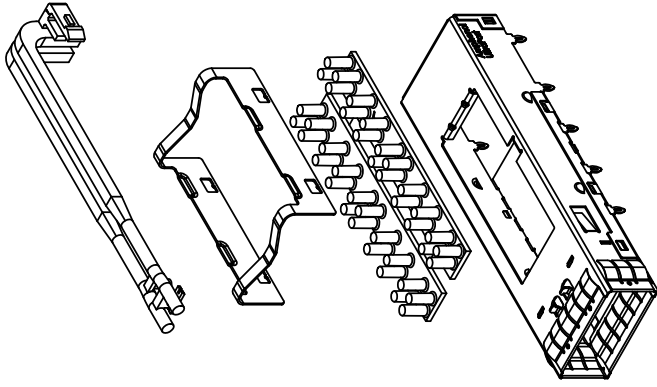
**CONDUCTIVE DUST COVER
SHOWN (OPTIONAL)
SHIPPED LOOSE
(P/N U79-111-9000-P)**



| | | | | |
|----------------------------|------------------------|------|---------|--|
| UNLESS SPECIFIED OTHERWISE | DRAWN | A.C. | JUL5/13 | Amphenol High Speed Interconnects A Division of Amphenol Corp. www.amphenolhighspeed.com |
| UNIT | CHECKED | ZLJ | JUL5/13 | UltraPort QSFP 1X1 CAGE ASSEMBLY THRU BEZEL TWO REAR PIN WITH HEAT SINK AND LIGHT PIPE OPTIONS |
| REFERENCE IN PARENTHESES | IME, APPD | | | |
| GENERAL TOLERANCES | G.A. APPD | | | |
| 1 DECIMAL PLACE | DWG APPD | ZLJ | JUL5/13 | |
| 2 DECIMAL PLACES | ENG. REL. NO. | | | |
| ANGULAR DEGREES | REF. | | | |
| | THIRD ANGLE PROJECTION | | | |
| | DO NOT DRAWING | | | |

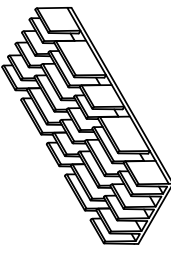
THIS DOCUMENT CONTAINS PROPRIETARY INFORMATION AND SUCH INFORMATION MAY NOT BE DISCLOSED TO OTHERS FOR ANY PURPOSE OR USED FOR MANUFACTURING PURPOSES WITHOUT WRITTEN PERMISSION FROM AMPHENOL CANADA CORP.

DWG. NO. P-U95-T1X1-1XXX
CODE ID NO. 03554 DWG SIZE: C SCALE: 3:1 SHEET 1 OF 5

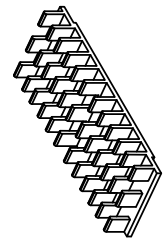


VIEW WITH DUAL BARREL LIGHT PIPE
AND ROUND PIN HEAT SINK
(NO DUST COVER)
(P/N U95-T151-10TA)

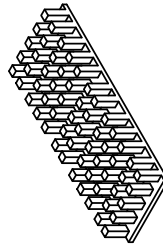
(PCB TO HEAT SINK CLIP TOP
SURFACE UNMATED, 11.8 FOR QUAD LP OPTION)



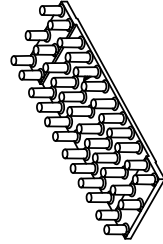
SQUARE PIN STYLE WITHOUT LP
(FOR REFERENCE ONLY)



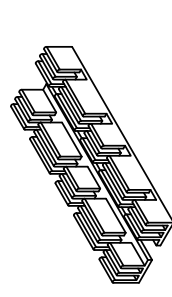
ROUND PIN STYLE WITHOUT LP
(FOR REFERENCE ONLY)



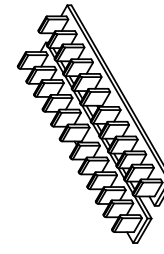
SQUARE PIN STYLE WITH LP
(FOR REFERENCE ONLY)



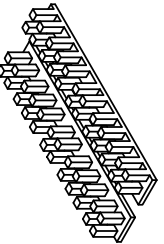
ROUND PIN STYLE WITH LP
(FOR REFERENCE ONLY)



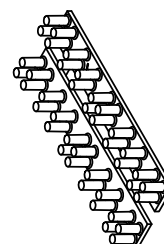
SQUARE PIN STYLE WITHOUT LP
(FOR REFERENCE ONLY)



ROUND PIN STYLE WITHOUT LP
(FOR REFERENCE ONLY)



SQUARE PIN STYLE WITH LP
(FOR REFERENCE ONLY)



ROUND PIN STYLE WITH LP
(FOR REFERENCE ONLY)

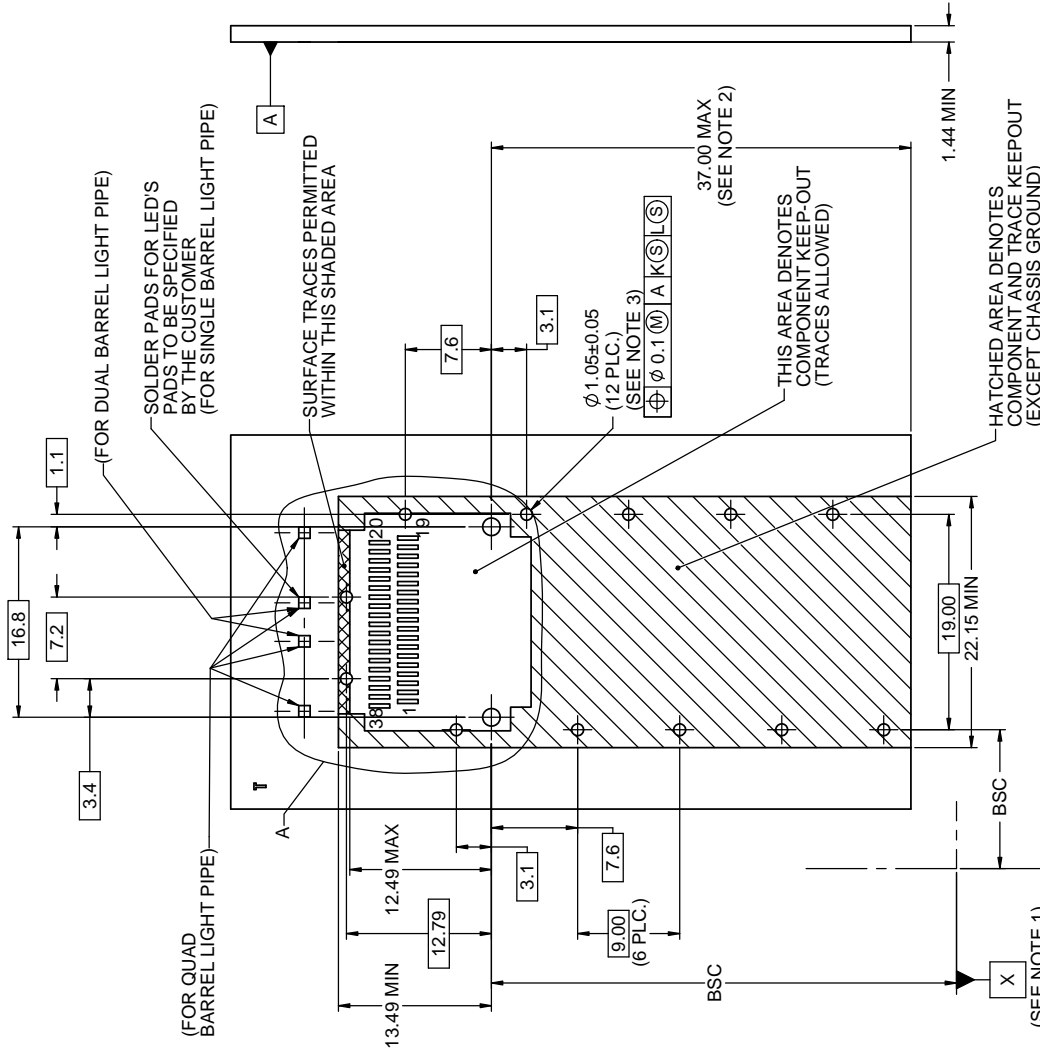
| PART NUMBER | DIM "J" | DIM "H" |
|---------------------|---------|---------|
| U95-T15(N, A)1-1XXX | 15.10 | 6.50 |
| U95-T16(P, B)1-1XXX | 12.80 | 4.20 |
| U95-T17(R, C)1-1XXX | 22.10 | 13.50 |
| U95-T1Y1-1XXX | 15.54 | 6.94 |
| U95-T1W1-1XXX | 17.32 | 8.72 |

NOTES:

- MATERIAL: CAGE AND EMI SPRINGS: COPPER ALLOY
CAGE PLATING: 2.54µm [100µ"] MIN. NICKEL.
LIGHT PIPE: GE LEXAN RESIN; CLEAR OPTICAL GRADE
HEAT SINK: ALUMINUM ALLOY; NICKEL PLATED
DUST COVER: CONDUCTIVE RUBBER
- DUST COVER IS SHIPPED AS A LOOSE PIECE IF ORDERED.
- DIMENSION "J" IS IN THE UNPLUGGED STATE

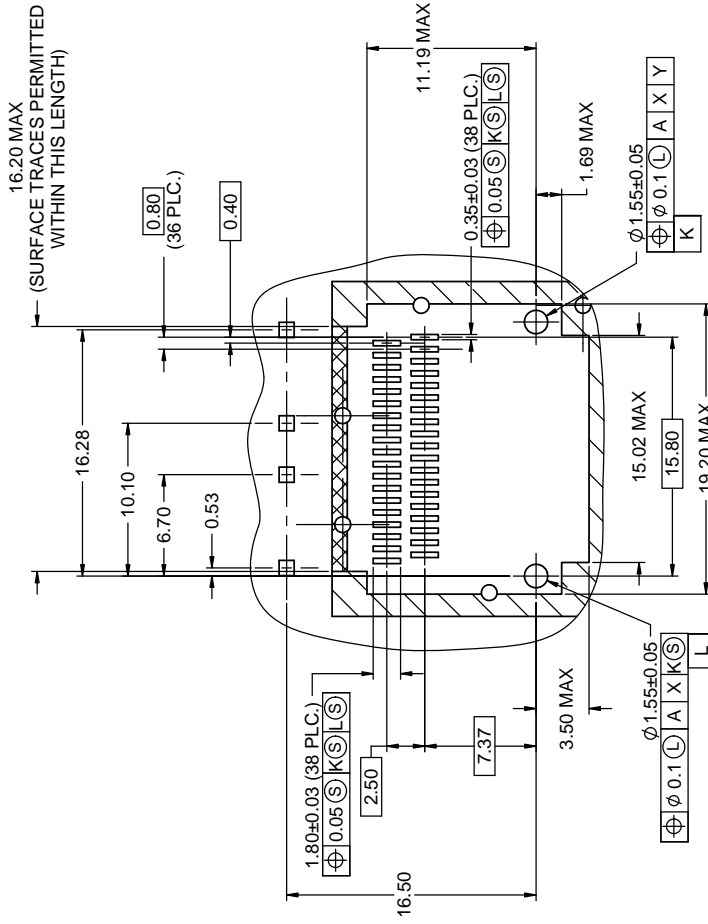
| UNLESS SPECIFIED OTHERWISE | DRAWN | A.C. | JUL5/13 | Amphenol High Speed Interconnects | |
|----------------------------|------------------------|------|---------|--|------------------|
| UNIT: MILLIMETERS | CHECKED | ZLJ | JUL5/13 | A Division of Amphenol Corp. www.amphenolhighspeed.com | |
| REFERENCE IN PARENTHESES | IME, APPD | | | UltraPort QSFP 1X1 CAGE ASSEMBLY | |
| GENERAL TOLERANCES | DWG APPD | ZLJ | JUL5/13 | THRU BEZEL TWO REAR PIN | |
| 1 DECIMAL PLACE ±0.2 | ENG. REL. NO. | | | WITH HEAT SINK AND LIGHT PIPE OPTIONS | |
| 2 DECIMAL PLACES ±0.15 | REF. | | | DWG. NO. | P-U95-T1X1-1-XXX |
| ANGULAR DEGREES ±1° | THIRD ANGLE PROJECTION | | | CODE ID NO. | 03554 |
| | DO NOT DRAWING | | | DWG SIZE: | C |
| | | | | SCALE: | 3:1 |
| | | | | SHEET: | 2 OF 5 |

THIS DOCUMENT CONTAINS PROPRIETARY INFORMATION AND SUCH INFORMATION MAY NOT BE DISCLOSED TO OTHERS FOR ANY PURPOSE OR USED FOR MANUFACTURING PURPOSES WITHOUT WRITTEN PERMISSION FROM AMPHENOL CANADA CORP.



RECOMMENDED PCB BOARD LAYOUT
(COMPONENT SIDE OF BOARD)

(SEE NOTE 1)



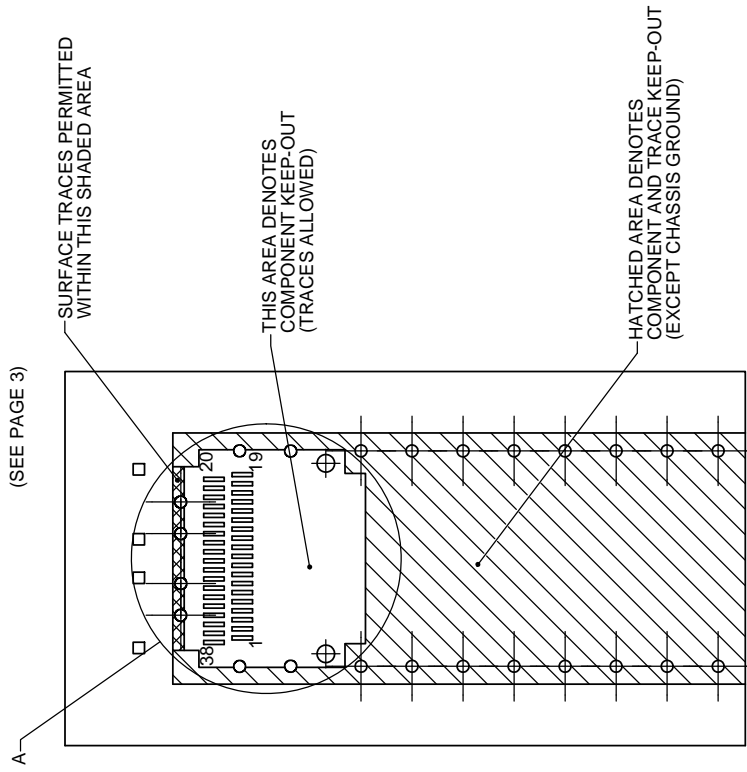
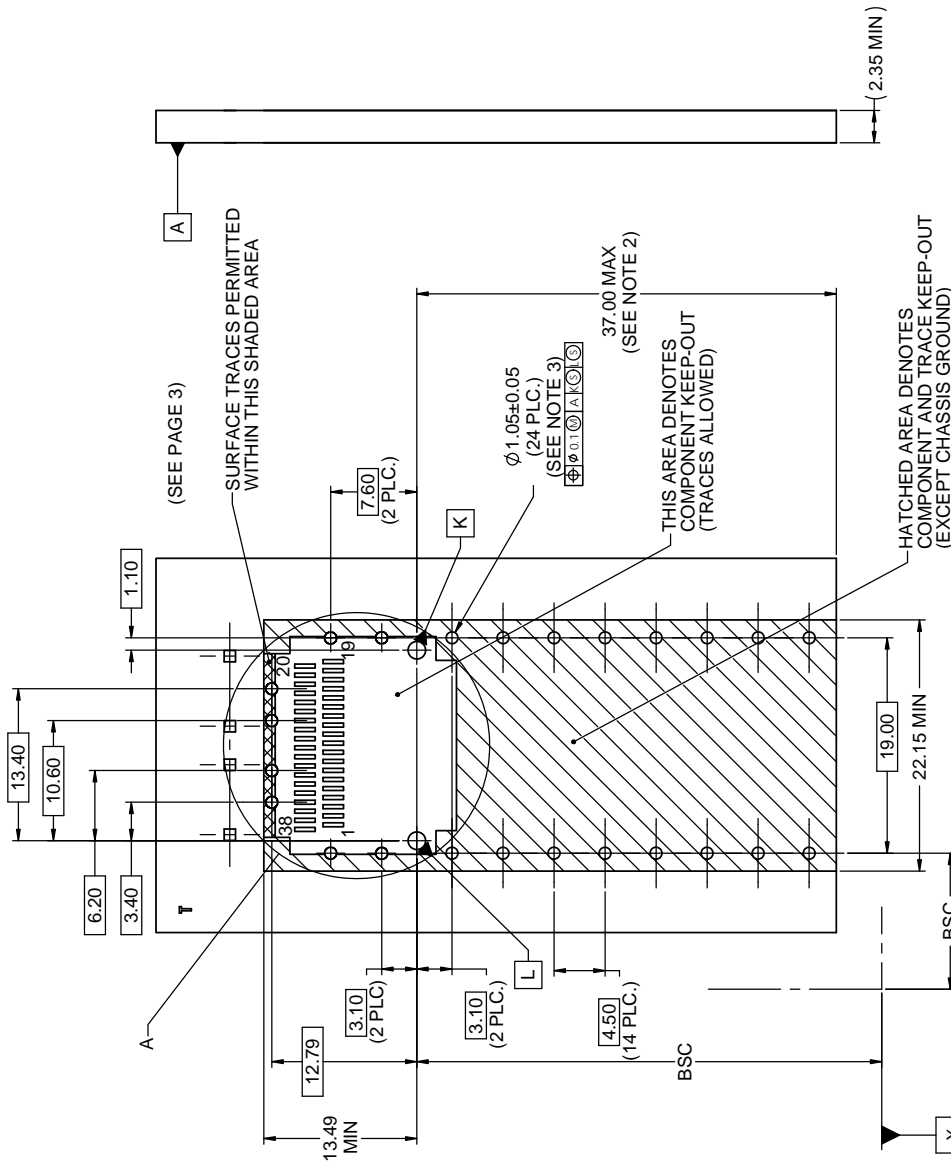
DETAIL A
SCALE 4 : 1

NOTES:

1. DATUMS X AND Y ESTABLISHED BY CUSTOMER'S FIDUCIAL.
2. LOCATION OF EDGE OF PCB IS APPLICATION SPECIFIC.
3. FINISHED HOLE SIZE.

THIS DOCUMENT CONTAINS PROPRIETARY INFORMATION AND SUCH INFORMATION MAY NOT BE DISCLOSED TO OTHERS FOR ANY PURPOSE OR USED FOR MANUFACTURING PURPOSES WITHOUT WRITTEN PERMISSION FROM AMPHENOL CANADA CORP.

| | | | | | | |
|----------------------------|----------------------|------------------------|------|---------|--|--|
| UNLESS SPECIFIED OTHERWISE | | DRAWN | A.C. | JUL5/13 | Amphenol High Speed Interconnects A Division of Amphenol Corp. www.amphenolhighspeed.com | |
| UNIT | MILLIMETERS | CHECKED | ZLJ | JUL5/13 | UltraPort QSFP 1X1 CAGE ASSEMBLY THRU BEZEL TWO REAR PIN WITH HEAT SINK AND LIGHT PIPE OPTIONS | |
| REFERENCE IN PARENTHESES | | IME. APPD | | | DWG. NO. | |
| GENERAL TOLERANCES | | O.A. APPD | ZLJ | JUL5/13 | P-U95-T1X1-1-XXX | |
| 1 | DECIMAL PLACE ±0.2 | DWG APPD | | | CODE ID NO. 03554 DWG SIZE: C SCALE: 3:1 SHEET 3 OF 5 | |
| 2 | DECIMAL PLACES ±0.15 | ENG. REL. NO. | | | REV K | |
| ANGULAR DEGREES ±1° | | THIRD ANGLE PROJECTION | | | DO NOT DRAWING | |



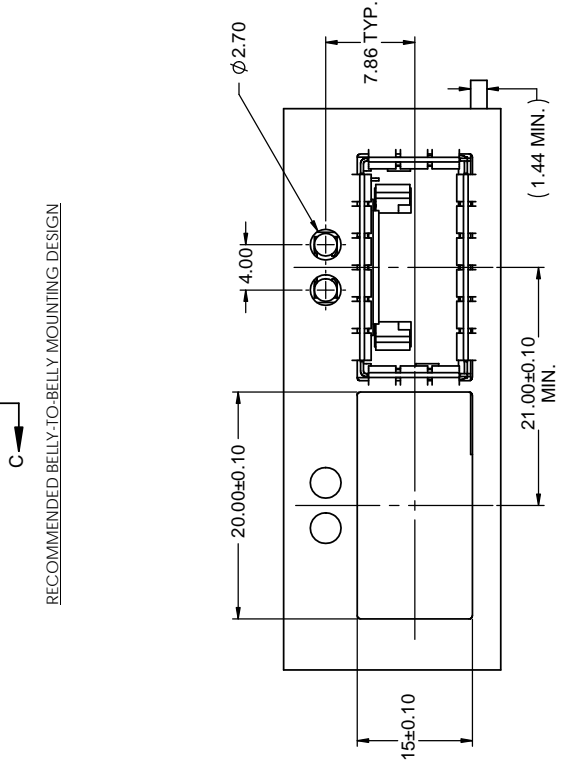
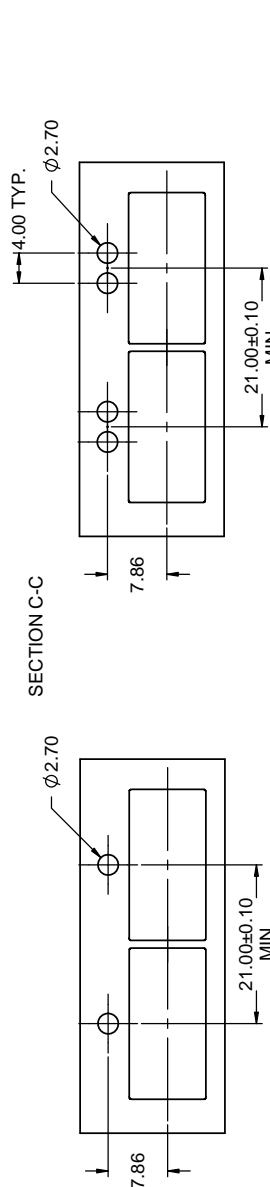
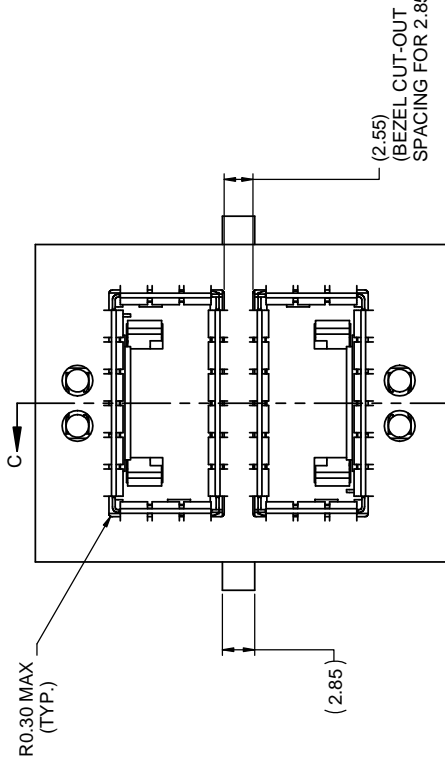
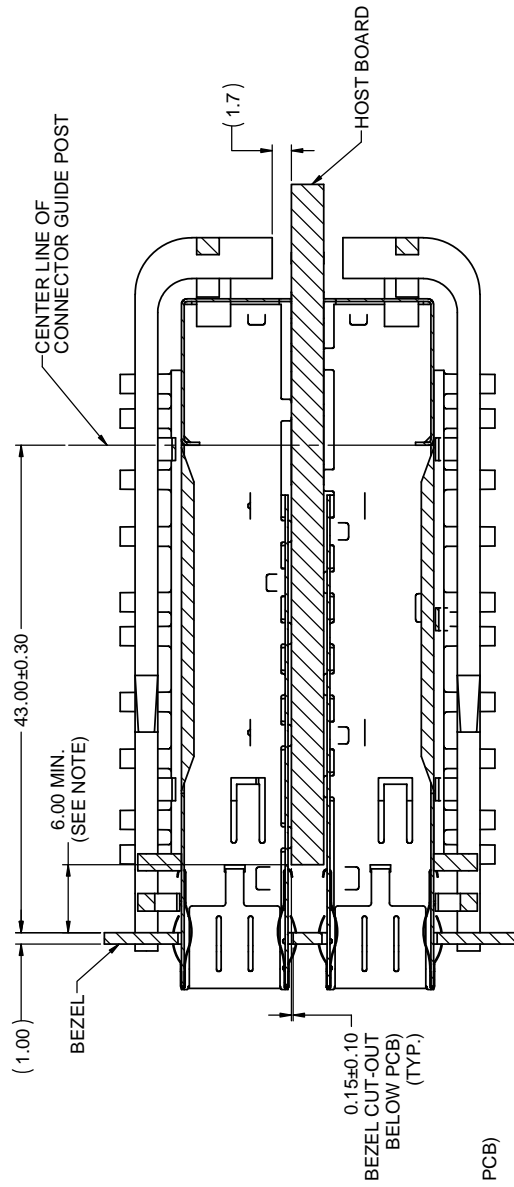
NOTES:

- DATUMS X AND Y ESTABLISHED BY CUSTOMER'S FIDUCIAL.
- LOCATION OF EDGE OF PCB IS APPLICATION SPECIFIC.
- FINISHED HOLE SIZE.

THIS DOCUMENT CONTAINS PROPRIETARY INFORMATION AND SUCH INFORMATION MAY NOT BE DISCLOSED TO OTHERS FOR ANY PURPOSE OR USED FOR MANUFACTURING PURPOSES WITHOUT WRITTEN PERMISSION FROM AMPHENOL CANADA CORP.

(SEE NOTE 1)
 (SEE NOTE 1)
 (SEE NOTE 1)

| | | | | | |
|----------------------------|---------------|------|---------|---|--|
| UNLESS SPECIFIED OTHERWISE | DRAWN | A.C. | JUL5/13 | Amphenol High Speed Interconnects A Division of Amphenol Corp. www.amphenolhighspeed.com | |
| UNIT | CHECKED | ZLJ | JUL5/13 | UltraPort QSFP 1X1 CAGE ASSEMBLY THRU BEZEL TWO REAR PIN WITH HEAT SINK AND LIGHT PIPE OPTIONS | |
| REFERENCE IN PARENTHESES | IME. APPD | | | DWG. NO. P-U95-T1X1-1XXX DWG. ID NO. 03554 DWG. SIZE: C SCALE: 3:1 SHEET 4 OF 5 | |
| GENERAL TOLERANCES | G.A. APPD | ZLJ | JUL5/13 | THIRD ANGLE PROJECTION DO NOT DRAWING | |
| 1 DECIMAL PLACE ±0.2 | DWG APPD | | | REF. | |
| 2 DECIMAL PLACES ±0.15 | ENG. REL. NO. | | | REV. NO. | |
| ANGULAR DEGREES ±1° | | | | CODE ID NO. 03554 DWG. SIZE: C SCALE: 3:1 SHEET 4 OF 5 | |



RECOMMENDED SINGLE SIDED MOUNTING DESIGN FOR SINGLE LIGHT PIPE

RECOMMENDED SINGLE SIDED MOUNTING DESIGN FOR SINGLE LIGHT PIPE

RECOMMENDED SINGLE SIDED MOUNTING DESIGN FOR DUAL LIGHT PIPE

| | | | |
|---|---------------------------|---------|--|
| UNLESS SPECIFIED OTHERWISE UNIT: MILLIMETERS | DRAWN: A.C. | JUL5/13 | Amphenol High Speed Interconnects A Division of Amphenol Corp. www.amphenolhighspeed.com |
| REFERENCE IN PARENTHESES | CHECKED: ZLJ | JUL5/13 | UltraPort QSFP 1X1 CAGE ASSEMBLY THRU BEZEL TWO REAR PIN WITH HEAT SINK AND LIGHT PIPE OPTIONS |
| GENERAL TOLERANCES | ENG. APP'D: ZLJ | JUL5/13 | |
| 1 DECIMAL PLACE ±0.2 | DWG APP'D: | | |
| 2 DECIMAL PLACES ±0.15 | ENG. REL. NO.: | | |
| ANGULAR DEGREES ±1° | REF.: | | |
| | THIRD ANGLE PROJECTION | | |
| | DO NOT DRAWING | | |
| | DWG. NO. P-U95-T1X1-1-XXX | | |
| | CODE ID NO. 03554 | | |
| | DWG. SIZE: C | | |
| | SCALE: 3:1 | | |
| | SHEET 5 OF 5 | | |

NOTES:

LOCATION OF EDGE OF PCB IS APPLICATION SPECIFIC.

THIS DOCUMENT CONTAINS PROPRIETARY INFORMATION AND SUCH INFORMATION MAY NOT BE DISCLOSED TO OTHERS FOR ANY PURPOSE OR USED FOR MANUFACTURING PURPOSES WITHOUT WRITTEN PERMISSION FROM AMPHENOL CANADA CORP.