
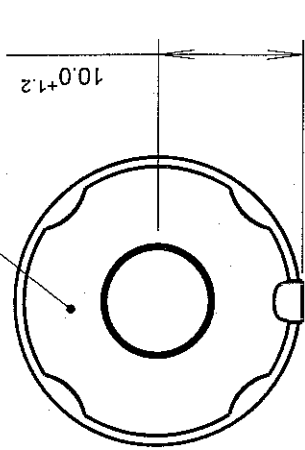
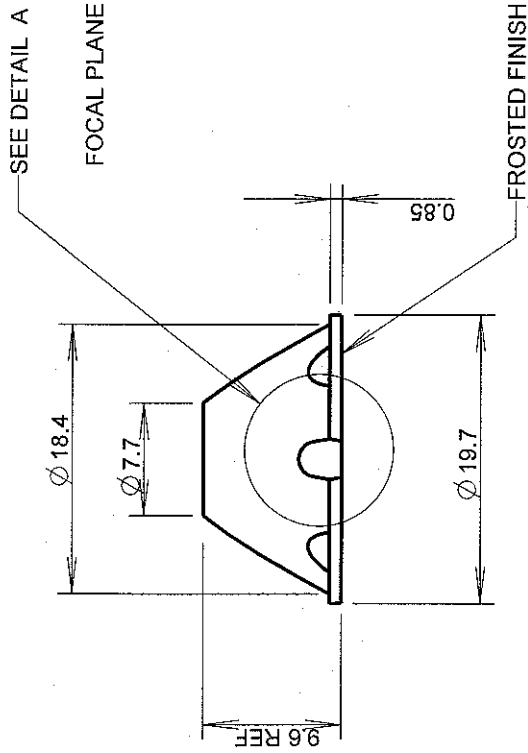
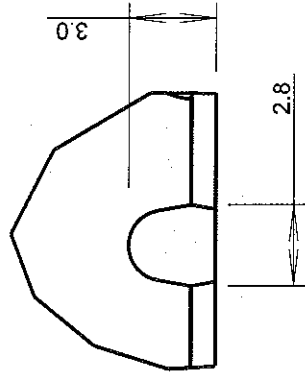
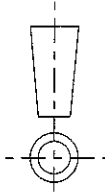


<table border="1"> <tr> <th>ISS.</th> <th>DATE</th> <th>E.C.N.</th> <th>DESCRIPTION</th> </tr> <tr> <td>2.</td> <td>31-Oct-06</td> <td></td> <td>EJECTOR PIN CUT OUTS ENLARGED</td> </tr> <tr> <td>3</td> <td>30-Oct-07</td> <td></td> <td>PART 10202 REMOVED</td> </tr> <tr> <td>3A</td> <td>26-Jan-11</td> <td>10/09/1254</td> <td>DIM. TOLLERANCES CHANGED + NOTE ADDED</td> </tr> </table>	ISS.	DATE	E.C.N.	DESCRIPTION	2.	31-Oct-06		EJECTOR PIN CUT OUTS ENLARGED	3	30-Oct-07		PART 10202 REMOVED	3A	26-Jan-11	10/09/1254	DIM. TOLLERANCES CHANGED + NOTE ADDED	<p>© 2010 CTP-COIL ALL DIMENSIONS IN mm</p> <p>CUSTOMER DRAWING</p>  <p>3D VIEW SCALE 1:1</p>  <p>10.0^{+0.25} 1/1 X 200 X T</p>	<p>GENERAL TOLERANCES (UNLESS STATED)</p> <table border="1"> <tr> <th>LINEAR</th> <th>ANGULAR</th> </tr> <tr> <td>X +/- 0.25</td> <td>X +/- 1°</td> </tr> <tr> <td>X.X +/- 0.1</td> <td>X.X +/- 0.5°</td> </tr> <tr> <td>X.XX +/- 0.05</td> <td>X.XX +/- 0.1°</td> </tr> </table>	LINEAR	ANGULAR	X +/- 0.25	X +/- 1°	X.X +/- 0.1	X.X +/- 0.5°	X.XX +/- 0.05	X.XX +/- 0.1°	<p>CUSTOMER</p> <p>CARCLO</p>	<p>TITLE</p> <p>1.4MM OFFSET FOCUS 20 MM DIA OPTIC</p>	<p>DRAWN</p> <p>AJD</p> <p>DATE</p> <p>17-Aug-06</p>	<p>CHK'D</p> <p>DATE</p>	<p>APP'D</p> <p>DATE</p>	<p>SCALE</p> <p>2:1</p> <p>CARCLO PART No.</p> <p>SEE TABLE</p>	<p>SIZE</p> <p>A4</p> <p>CARCLO DRG. No.</p> <p>60434</p> <p>SHEET</p> <p>2 OF 2</p>
ISS.	DATE	E.C.N.	DESCRIPTION																														
2.	31-Oct-06		EJECTOR PIN CUT OUTS ENLARGED																														
3	30-Oct-07		PART 10202 REMOVED																														
3A	26-Jan-11	10/09/1254	DIM. TOLLERANCES CHANGED + NOTE ADDED																														
LINEAR	ANGULAR																																
X +/- 0.25	X +/- 1°																																
X.X +/- 0.1	X.X +/- 0.5°																																
X.XX +/- 0.05	X.XX +/- 0.1°																																



DESCRIPTION	PART NO.
PLAIN (NO FROSTING)	10199
SOFT NARROW BEAM	10200
SOFT MEDIUM BEAM	10201

NOTES:
1. MATERIAL - UV STABILISED POLYCARBONATE
2. INCLUSIONS SPECIFIED TO BS4301