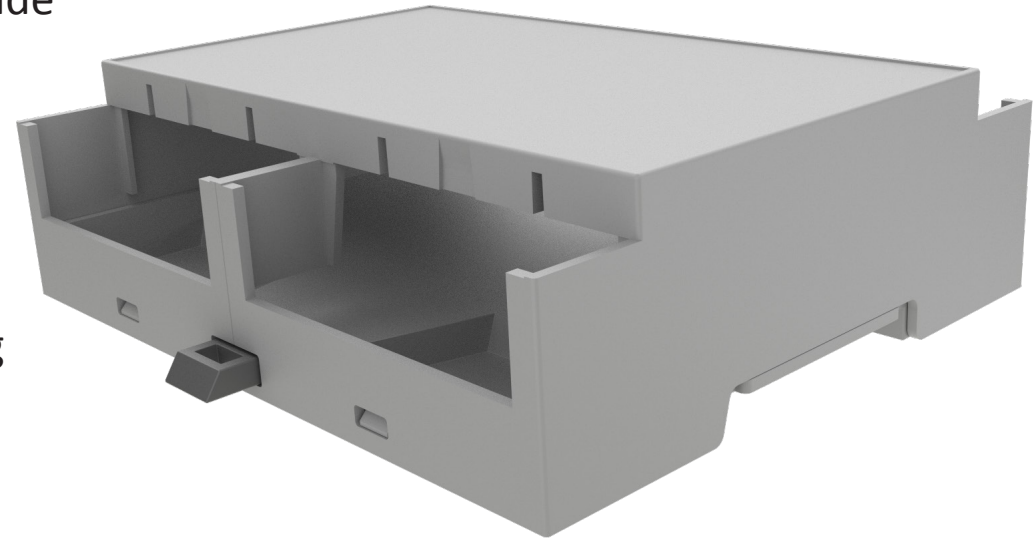


- DIN Rail mounting enclosure to suit varying electronic and electrical applications
- Terminal blocks/connectors can be mounted on either side of the enclosure
- Top panel is produced as part of the mould (non-removeable)
- Customisation options are available including machining and/or printing to customer specific requirements
- Kit supplied includes, base, cover and DIN rail hook



**Hitaltech SA/NV**

(Sales Benelux, France & Italy)

T: +32 2725 2075

E: europe-sales@hitaltech.com

**Hitaltech UK Ltd**

(Sales UK & Eire)

T: +44 (0) 1253 899910

E: uksales@hitaltech.co.uk

**Hitaltech GmbH**

(Sales Germany)

T: +49 (0) 351 65 57 39 10

E: de-verkauf@hitaltech.com

**Hitaltech Corp. Japan**

(Sales Asia)

T: +81 (0)467 23 81 00

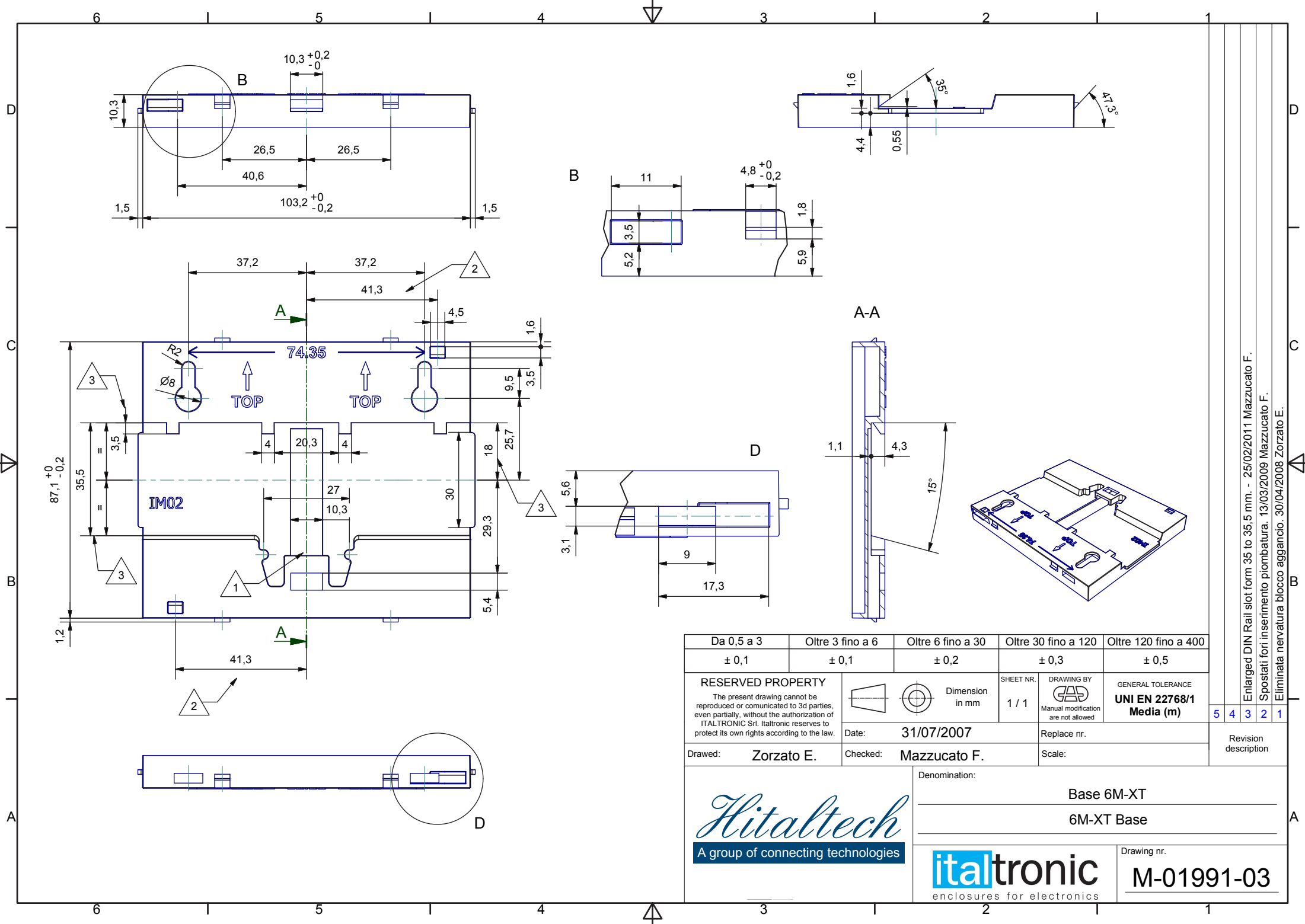
E: japan-sales@hitaltech.com

**Hitaltech Headquarters**

(Sales for the Rest of the World)

T: +32 2725 2075

E: europe-sales@hitaltech.com



Da 0,5 a 3	Oltre 3 fino a 6	Oltre 6 fino a 30	Oltre 30 fino a 120	Oltre 120 fino a 400	
± 0,1	± 0,1	± 0,2	± 0,3	± 0,5	
RESERVED PROPERTY The present drawing cannot be reproduced or communicated to 3d parties, even partially, without the authorization of ITALTRONIC Srl. Italtronic reserves to protect its own rights according to the law.		Dimension in mm	SHEET NR. 1 / 1	DRAWING BY <b>GAB</b> Manual modification are not allowed	GENERAL TOLERANCE <b>UNI EN 22768/1</b> <b>Media (m)</b>
Date: 31/07/2007		Replace nr.		Revision description	
Drawed: Zorzato E.		Checked: Mazzucato F.			
Scale:		Denomination:			

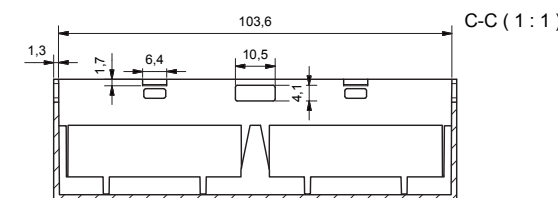
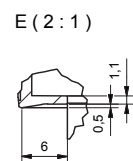
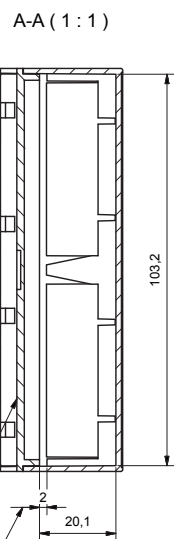
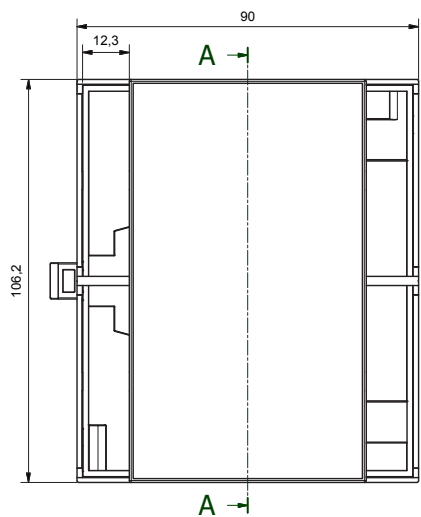
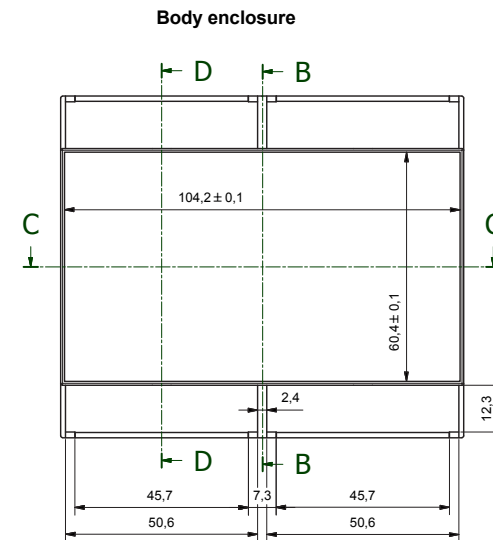
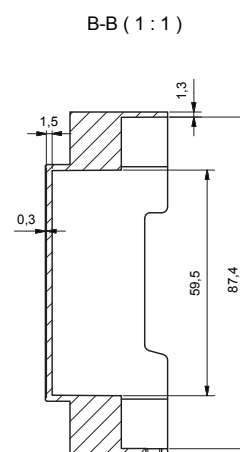
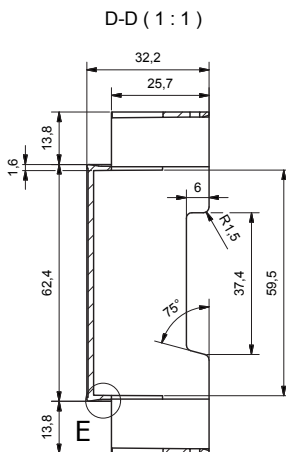
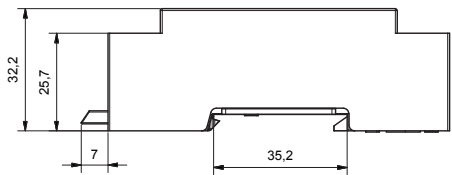
  
 A group of connecting technologies

Base 6M-XT  
 6M-XT Base

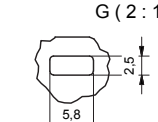
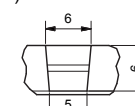
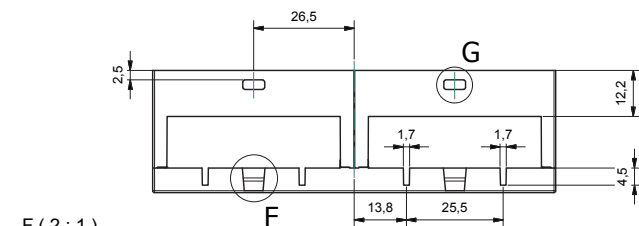
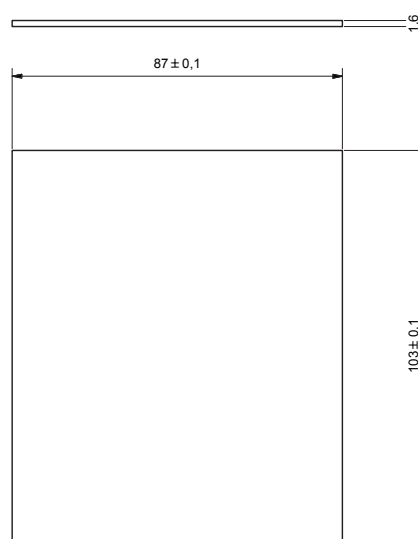
  
 enclosures for electronics

Drawing nr.  
**M-01991-03**

Enlarged DIN Rail slot form 35 to 35,5 mm. - 25/02/2011 Mazzucato F.  
 Spostati fori inserimento piombatura. 13/03/2009 Mazzucato F.  
 Eliminata nervatura blocco aggancio. 30/04/2008 Zorzato E.



Dimension of PCB



Base 6M XT  
max thickness of PCB

Da 0,5 a 3	Oltre 3 fino a 6	Oltre 6 fino a 30	Oltre 30 fino a 120	Oltre 120
± 0,1	± 0,1	± 0,2	± 0,3	± 0,5

<b>RESERVED PROPERTY</b> The present drawing cannot be reproduced or communicated to 3rd parties, even partially, without the authorization of ITALTRONIC Srl. Italtronic reserves to protect its own rights according to the law.	Dimension in mm SHEET NR. 1 / 1 Date: 08/10/2013	DRAWING BY: Manual modification are not allowed Replace nr. Scale:	GENERAL TOLERANCE <b>UNI EN 22768/1</b> <b>Media (m)</b>	5	4	3	2	1
				Revision description				

Drawed: Rigato N. Checked: Dalla Montà D.

Denomination:  
 Contenitore Modulbox XTS 6MHC33-A chiuso compact  
 Enclosure Modulbox XTS 6MHC33-A closed compact

**italtech**  
 A group of connecting technologies

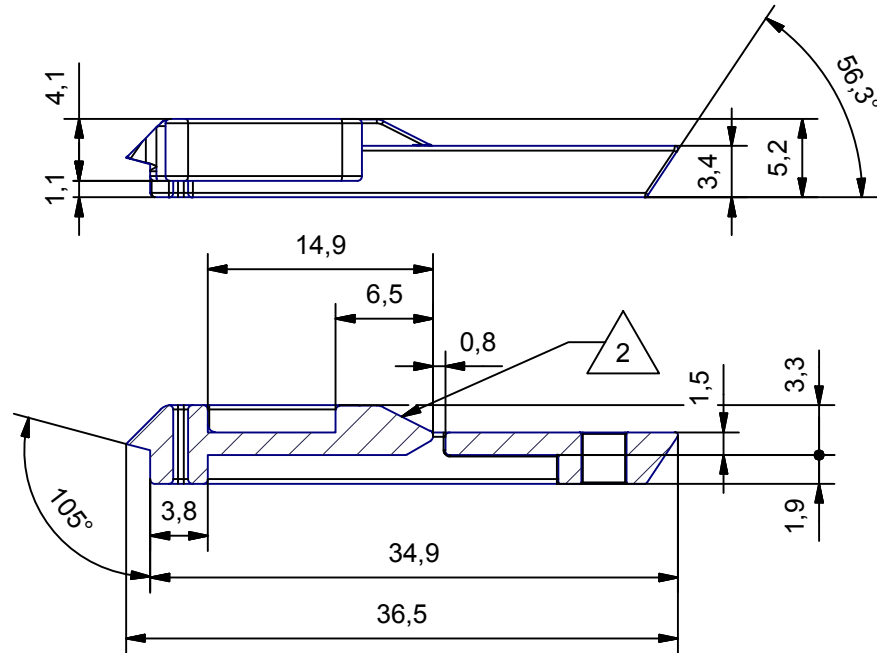
**italtronic**  
 enclosures for electronics

Drawing nr. **M-05045-01**

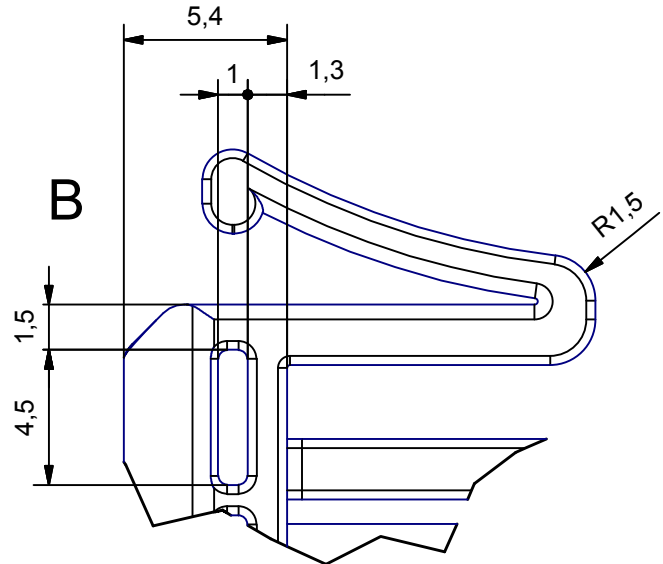
Aggiunto vista corpo e e modifiche contenitore. 08/05/2014 Rigato N.

REVISIONE

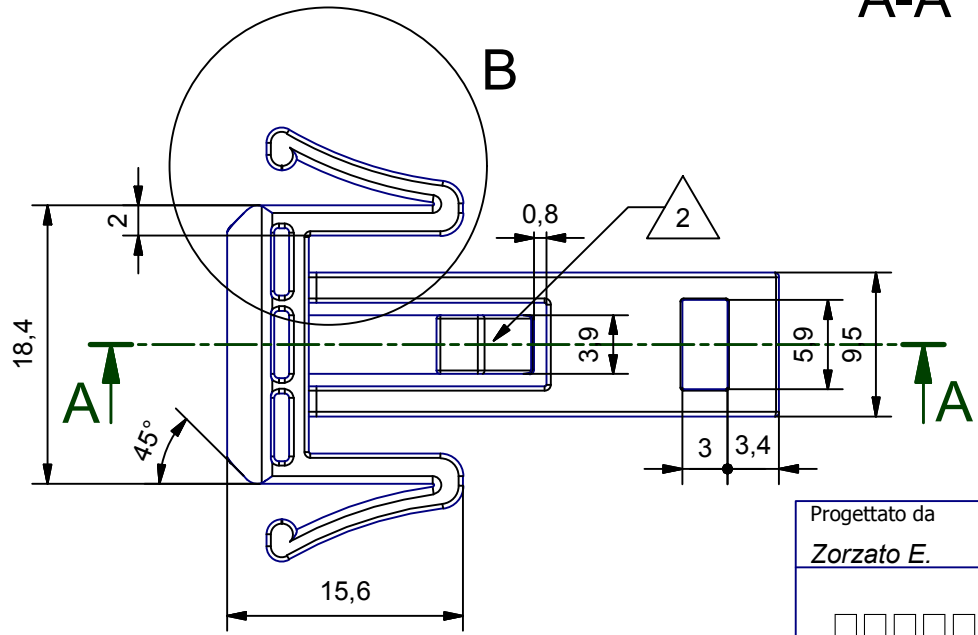
Rev. n°	Descrizione	Data	Eseguita da
1	Modificato parti gancio.Changed parts hook.	17/07/13	Rigato N.
2	Modificato parti gancio.Changed parts hook.	31/01/14	Rigato N.



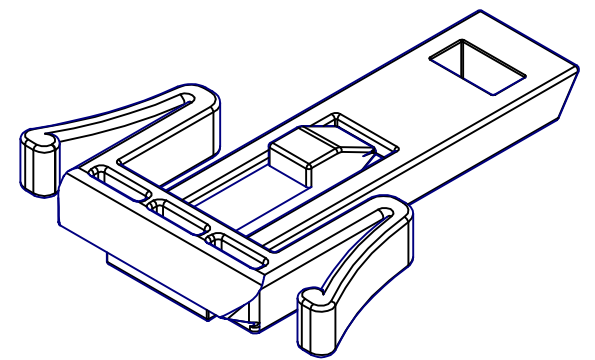
A-A





B



Tolleranze generali: ± 0.2 mm



Progettato da <b>Zorzato E.</b>	Verificato da <b>Mazzucato F.</b>	Data 12/03/2007	Sostituisce il
		<b>Nuovo aggancio lungo MODULBOX</b>	
		M-01900-02	Edizione 00
			Foglio 1 / 1