

## Ceiling Roses and Pendants

### Standards and approvals

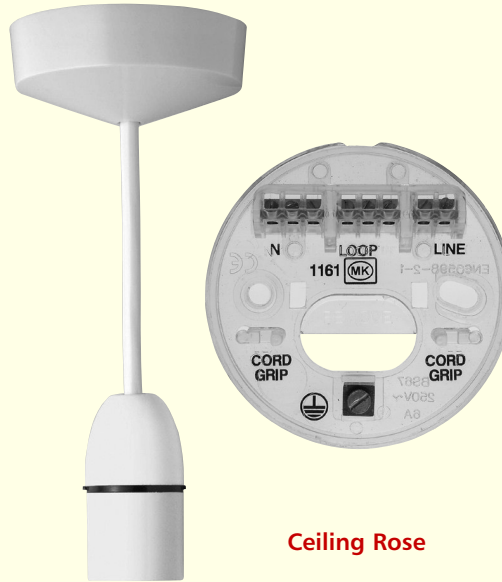
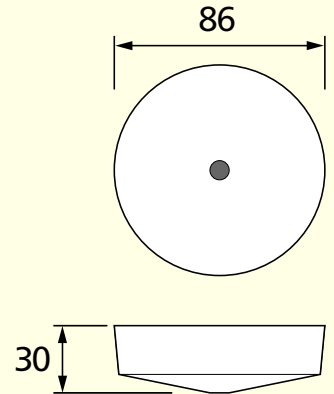
Heat resistant lampholders comply with BS EN 61184: 1995 T2.

All ShockGuard lampholders comply with BS 7895: 1997 and BSEN 61184: 1995 T2

Ceiling roses comply with BS 67: 1987

Pendant sets are supplied with heat resisting PVC insulated and sheathed flexible 0.75 two core circular cable complying with BS 6500: 2000 (Table 29)

### Dimensions (mm)



Ceiling Rose

### Technical specification

#### Electrical

Lampholders and batten lampholders

Voltage rating:  
250V a.c.

Maximum rating:  
150 watts

Terminal capacity:  
Live, neutral & earth  
3 x 1.0mm<sup>2</sup>  
2 x 1.5mm<sup>2</sup>

Ceiling roses & base of pre-wired batten lampholders

Voltage rating:  
250V a.c.

Maximum rating:  
6 amps

Terminal capacity:  
Live, neutral & earth  
4 x 1.0mm<sup>2</sup>  
3 x 1.5mm<sup>2</sup>  
1 x 2.5mm<sup>2</sup>

#### Physical

Ambient operating temperature:  
-5°C to +40°C

IP rating:  
IP4X

Max. installation altitude:  
2000 metres

### Description

The range includes ShockGuard™ SG type lampholders, pendant sets, batten lampholders and ceiling roses.

### Features

#### ShockGuard™

- Automatically shields the contacts as soon as the lamp is removed
- The contacts remain shielded until a new lamp is slotted in place
- While there is no lamp in place there is no danger of electrocution

#### Ceiling roses

- Clear base and pre-cut aperture for ease of installation
- Clear markings
- Terminal layout allows cables to be cut to even length
- Earth terminal point used for easier cable access
- Halo available to give professional finish on damaged ceilings (for use with ceiling roses and pendant sets only)