

**EM 4 top2**

**Article number: 6490104**

**Description**



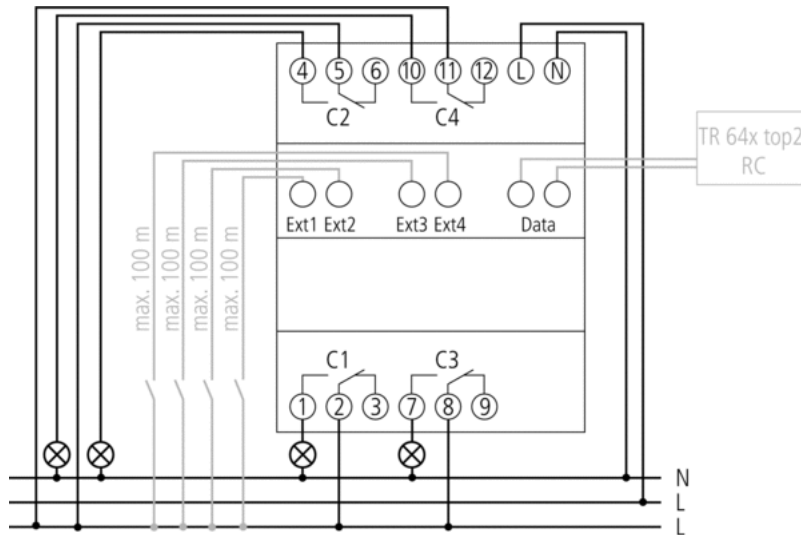
- Extension module for TR 641 top2 RC, TR 642 top2 RC and TR 644 top2 RC
- 4 channels
- Width: 4 modules
- DuoFix spring terminals
- 4 external inputs
- Switching preselection
- Permanent ON/OFF switching
- 4 LEDs for displaying switching status
- Zero-cross switching for relay-saving switching and high lamp loads

**Technical data**

Operating voltage	110 – 240 V AC
Frequency	50 – 60 Hz
Width	4 modules
Installation type	DIN rail
Type of contact	4 two-way switches
Switching output	Phase-independent (Zero-cross switching)
Opening width	< 3 mm
Program	Yearly program
Number of channels	4
External inputs	4
Power reserve	8 years
Switching capacity at 250 V AC, $\cos \varphi = 1$	16 A
Switching capacity at 250 V AC, $\cos \varphi = 0,6$	10 A
Incandescent/halogen lamp load 230 V	2300 W
Energy saving lamps 230 V	22 x 7 W, 18 x 11 W
Fluorescent lamp load (conventional) not corrected	1000 VA
Fluorescent lamp load (conventional) series-corrected	1000 VA
Fluorescent lamp load (conventional) parallel-corrected	730 VA, 80 $\mu$ F
Switching capacity min.	ca. 10 mA
Time basis	Quartz
Stand-by consumption	1,5 W
Memory card supplied	–
Type of connection	DuoFix spring terminals
Keyboards	4 buttons for manual switching
Housing and insulation material	High-temperature resistant, self-extinguishing thermoplastic
Type of protection	IP 20

Protection class	II as per EN 60 730-1
Ambient temperature	-30 °C ... +55 °C

### Connection example



### Accessories

#### Wall mounting kit 70 mm

- Article number: 9070049  
Details ▶ [www.theben.de](http://www.theben.de)



#### Front panel kit

- Article number: 9070001  
Details ▶ [www.theben.de](http://www.theben.de)

