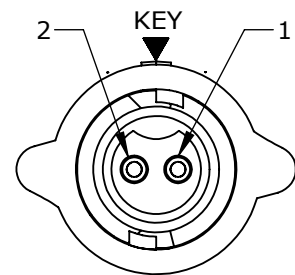


APPROVED BY: DATE: QA APPROVED BY: DATE:

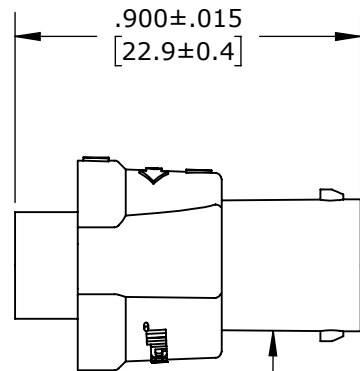
ASS'Y P/N	CONTACT QTY.	CABLE O.D. RANGE
W16280-2PG-P-311	2	0.09 - 0.14 [2.3 - 3.6]
W16280-2PG-P-315	2	0.15 - 0.17 [3.8 - 4.3]
W16280-2PG-P-318	2	0.18 - 0.20 [4.6 - 5.1]
W16280-3PG-P-311	3	0.09 - 0.14 [2.3 - 3.6]
W16280-3PG-P-315	3	0.15 - 0.17 [3.8 - 4.3]
W16280-3PG-P-318	3	0.18 - 0.20 [4.6 - 5.1]
W16280-XPG-P-3XX		

NOTES:

1. ALL PARTS ARE BULK PACKED.
2. REFER TO DRAWING HPMCSTD FOR CONTACT PATTERNS.
3. ALL DIMENSIONS ARE REFERENCE ONLY IN INCHES [mm], WITHIN ±0.015 UNLESS OTHERWISE NOTED.

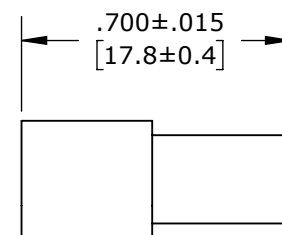


FACE VIEW
W16280-2PG-P-3XX

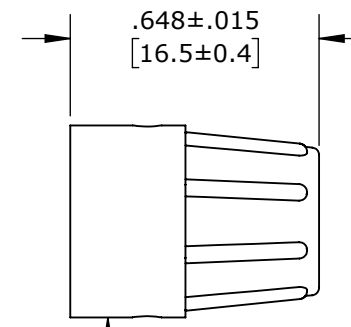


CABLE-END ASSEMBLY KIT
MAT'L: HOUSING -THERMOPLASTIC, BLACK
O-RING - SILICONE, RED
COUPLING RING - THERMOPLASTIC, BLACK
SPRING (INTERNAL) - STAINLESS STEEL

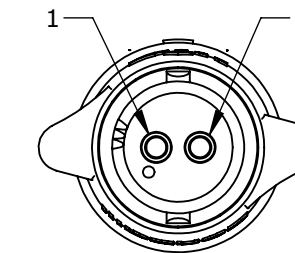
(2-3) # 20 PIN CONTACTS
CRIMP TAIL
MAT'L: GOLD PLATED, COPPER ALLOY



GROMMET
MAT'L: ELASTOMER, BLACK
SEE TABLE FOR CABLE O.D. SIZE OPTIONS

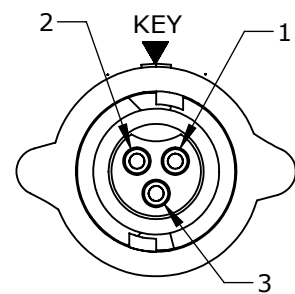


OF CONTACTS
BACKSHELL
MAT'L: THERMOPLASTIC, BLACK

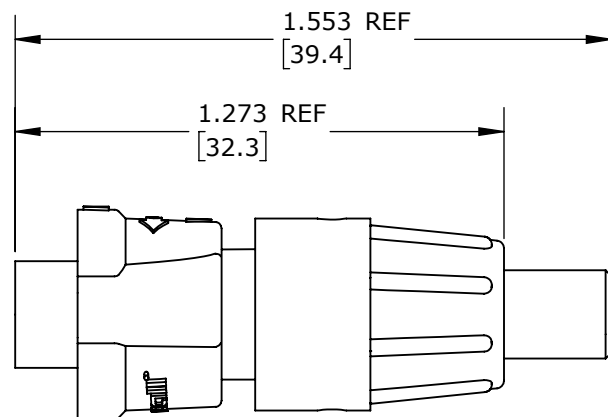


WIRING VIEW
W16280-2PG-P-3XX

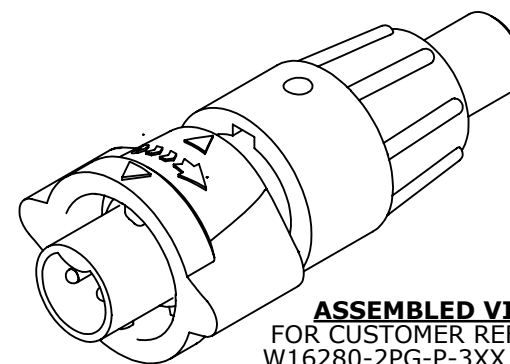
GROMMET SIZE = CABLE O.D. RANGE:
311 = 0.09 - 0.14 [2.3 - 3.6]
315 = 0.15 - 0.17 [3.8 - 4.3]
318 = 0.18 - 0.20 [4.6 - 5.1]



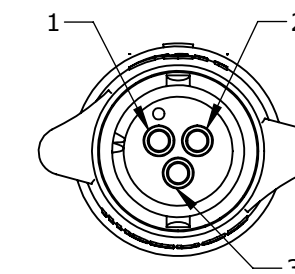
FACE VIEW
W16280-3PG-P-3XX



ASSEMBLED VIEW
FOR CUSTOMER REF. ONLY



ASSEMBLED VIEW
FOR CUSTOMER REF. ONLY
W16280-2PG-P-3XX SHOWN



WIRING VIEW
W16280-3PG-P-3XX

CUSTOMER PRINT

PART NUMBER: W16280-XPG-P-3XX

CUSTOMER APPROVAL

THIS DOCUMENT CONTAINS CONFIDENTIAL INFORMATION PROPRIETARY TO CONXALL CORPORATION. ANY REPRODUCTION, DISCLOSURE, OR USE OF THIS DOCUMENT / INFORMATION IS EXPRESSLY PROHIBITED UNLESS AUTHORIZED IN WRITING BY CONXALL CORPORATION.

APPROVED BY: _____
DATE: _____

RoHS COMPLIANT

PRELIMINARY

DIMENSIONS IN BRACKETS [] ARE METRIC

0A	JGK	9/05/19	DRAWING CREATED FOR PDR #18004.	
REV.	INIT.	DATE	DESCRIPTION	
			ORIG. DRAWN BY: JGK	DATE: 9/05/19
ALL INFORMATION ILLUSTRATED IS THE PROPERTY OF CONXALL CORPORATION. UNAUTHORIZED DUPLICATION OR DISTRIBUTION OF THIS DOCUMENT IS PROHIBITED.			<p>601 E. WILDWOOD VILLA PARK, IL 60181</p>	
ALL UNITS ARE IN FEET, INCHES, FRACTION OF INCHES AND DECIMALS.				
UNLESS OTHERWISE SPECIFIED TOLERANCES: 3 PLACE DECIMALS ±.005 ANGLES ±1° FRACTIONS ±1/16			APPROVED BY:	TITLE: CABLE-END ASSEMBLY 2-3 #20 PIN CONTACTS, CRIMP INSTA-CLICK, MICRO-CON-X STANDARD PRODUCT
SCALE	SIZE	SHEET	CUSTOMER:	
NTS	B	1 OF 1	W16280-XPG-P-3XX	
FILE:	DIRECTORY:	PART NUMBER:	REV	
W16280-XPG-P-3XX	SLW	W16280-XPG-P-3XX	0A	

Mouser Electronics

Authorized Distributor

Click to View Pricing, Inventory, Delivery & Lifecycle Information:

Switchcraft:

[W16280-2PG-P-311](#) [W16280-3PG-P-318](#) [W16280-2PG-P-315](#) [W16280-2PG-P-318](#) [W16280-3PG-P-315](#) [W16280-3PG-P-311](#)