

The product advantages



Polysafe consists of glass fibre reinforced polyester and provides an extremely high level of mechanical resistance to chemicals and UV irradiation. All the external components are made of plastic, which gives maximum protection against corrosion.



Easy disassembly of the door for mounting and servicing work. Internal hinges ensure high mechanical protection and stability.



A reliable locking system offers a protection class of up to IP66. Various locks are available, and the end user can replace a lock at any time.



External screw channels for direct wall mounting. Wall brackets are available as an option.



A protective cover integrated in the enclosure prevents penetration by dripping water when the door is opened.



Quick-Finder:
www.bopla.de/42





BOPLA

A Phoenix Mecano Company

Polysafe



Colour:

● Light grey, similar to RAL 7035

Protection class:

Depending on the model up to IP66 DIN EN 60529
Impact resistance IK10 according to IEC 62262

Material:

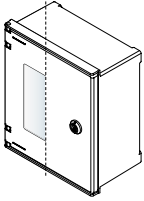
Enclosure: glass fiber reinforced polyester
Seal: PU foamed

For details see technical information.

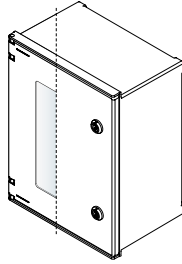


Enclosure sizes

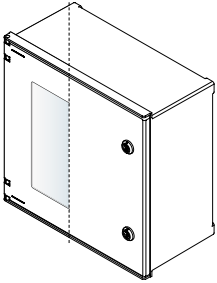
PS 321



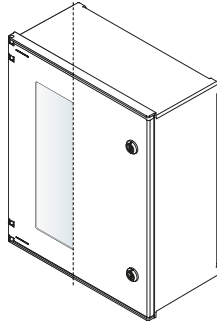
PS 432



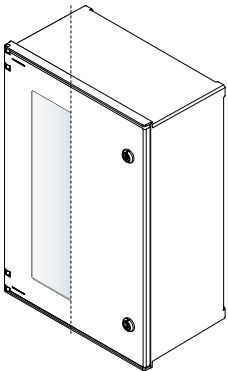
PS 442



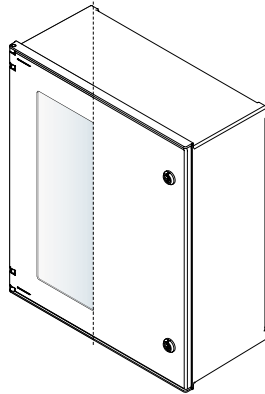
PS 542



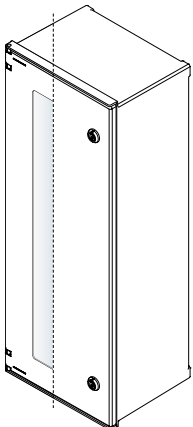
PS 642



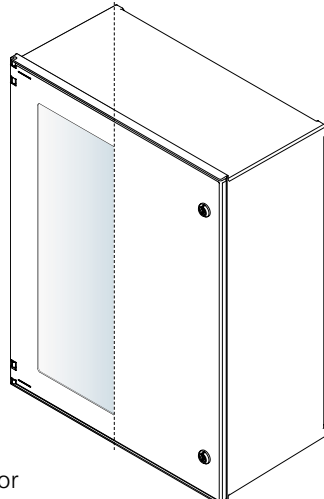
PS 652



PS 832

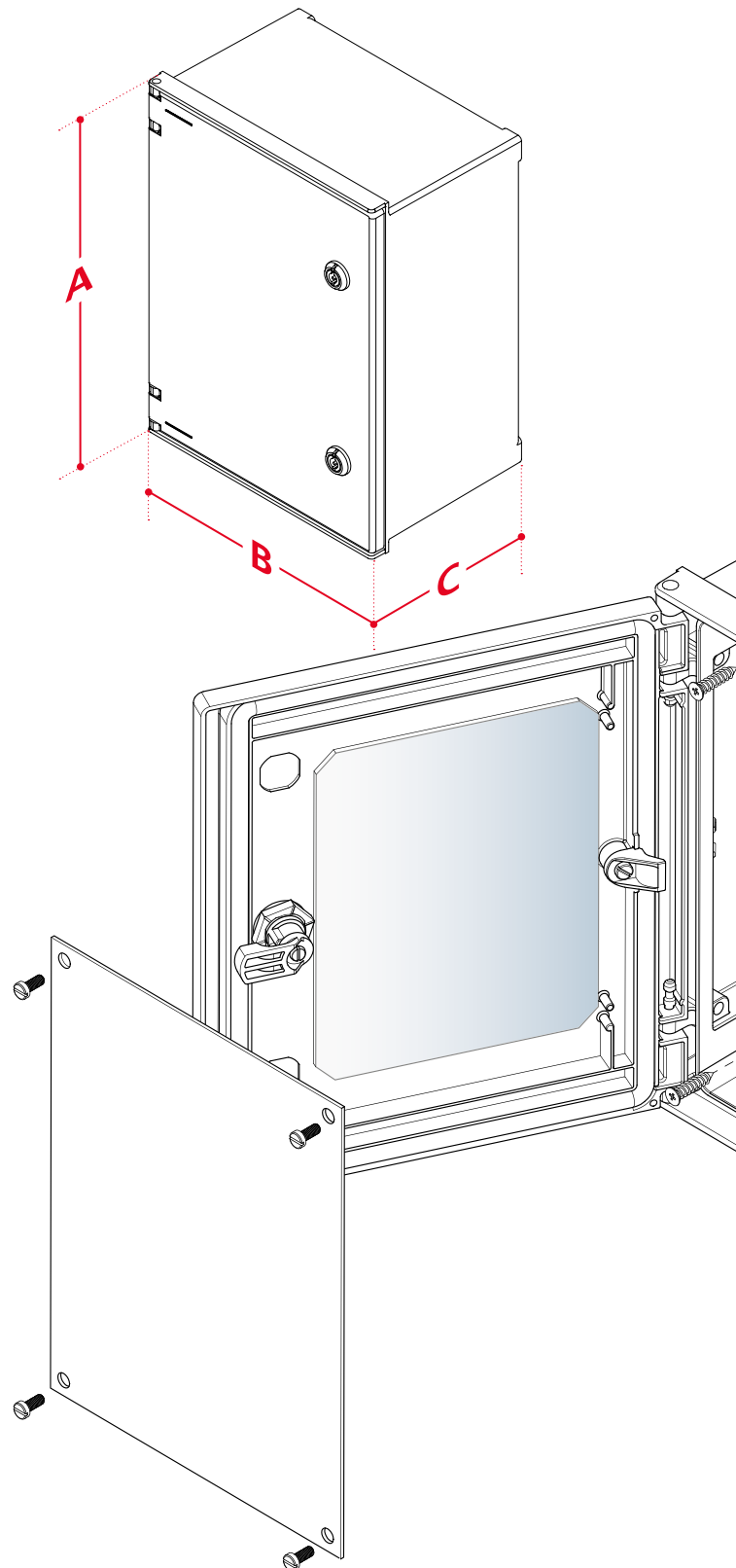


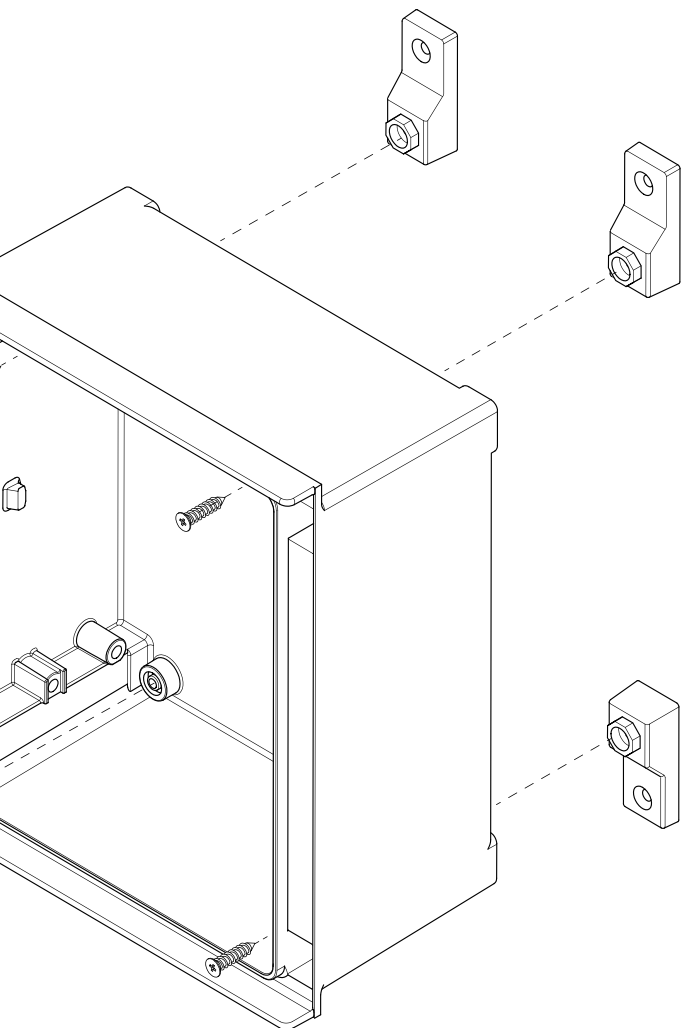
PS 863



The door is available closed or with an viewing window (-T).

Design types





Dimensions

Model	A	B	C
PS 321(-T)	300	250	140
PS 432(-T)	400	300	200
PS 442(-T)	400	400	200
PS 542(-T)	500	400	200
PS 642(-T)	600	400	230
PS 652(-T)	600	500	230
PS 832(-T)	800	300	230
PS 863(-T)	800	600	300

Accessories



Inner door with lock



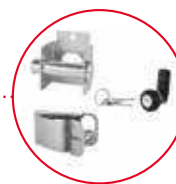
Metal frame for installation devices acc. to DIN



Door locking device



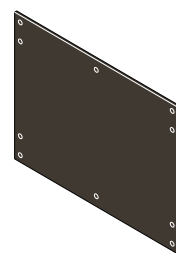
Various locks



Wall brackets



Mast mounting



Mounting panels in different versions

Polysafe

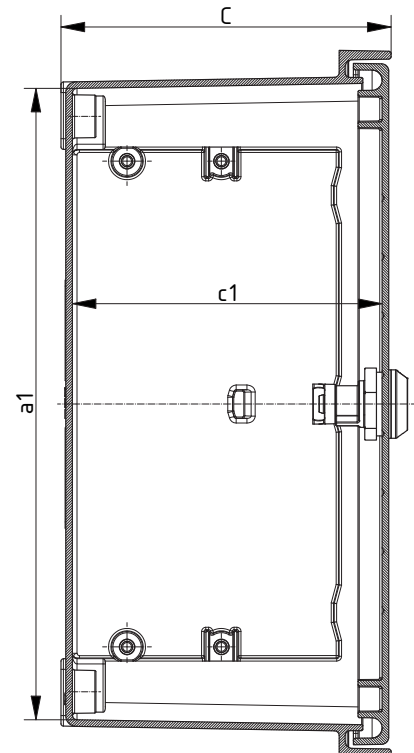
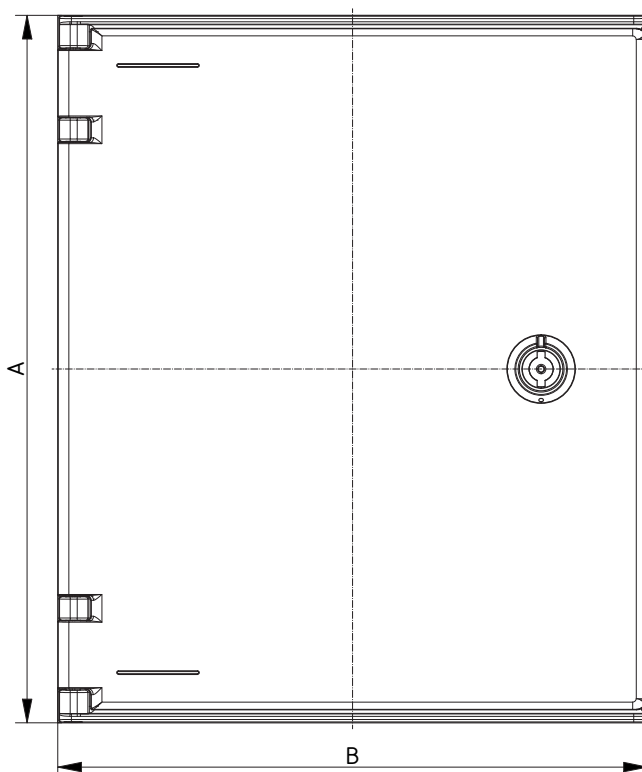
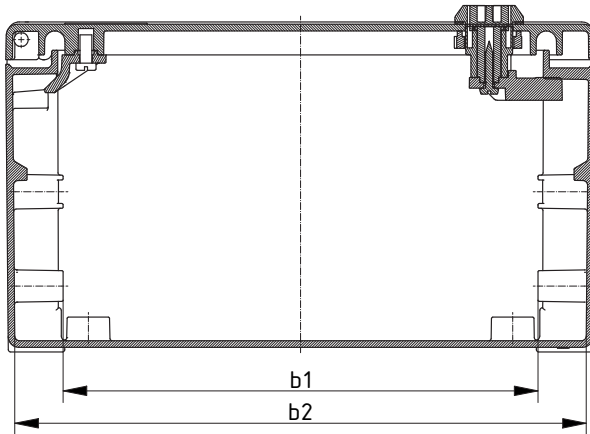
Closed enclosure



Closed enclosure

Model	Order no.	A	B	C	a1	b1	b2	c1
PS 321	42132100	300	250	140	267.8	201.4	242.4	131.4
PS 432	42143200	400	300	200	365.7	251.4	291.3	191.4
PS 442	42144200	400	400	200	365.7	351.4	391.3	191.4
PS 542	42154200	500	400	200	465.7	351.4	391.3	191.4
PS 642	42164200	600	400	230	564.6	351.4	390.4	221
PS 652	42165200	600	500	230	564.6	451.4	490.4	221
PS 832	42183200	800	300	230	764.6	251.4	290.4	221
PS 863	42186300	800	600	300	762.2	551.4	588.8	290.8

Scope Of Delivery: Enclosure, assorted fixing material



Z-2404278

Polysafe

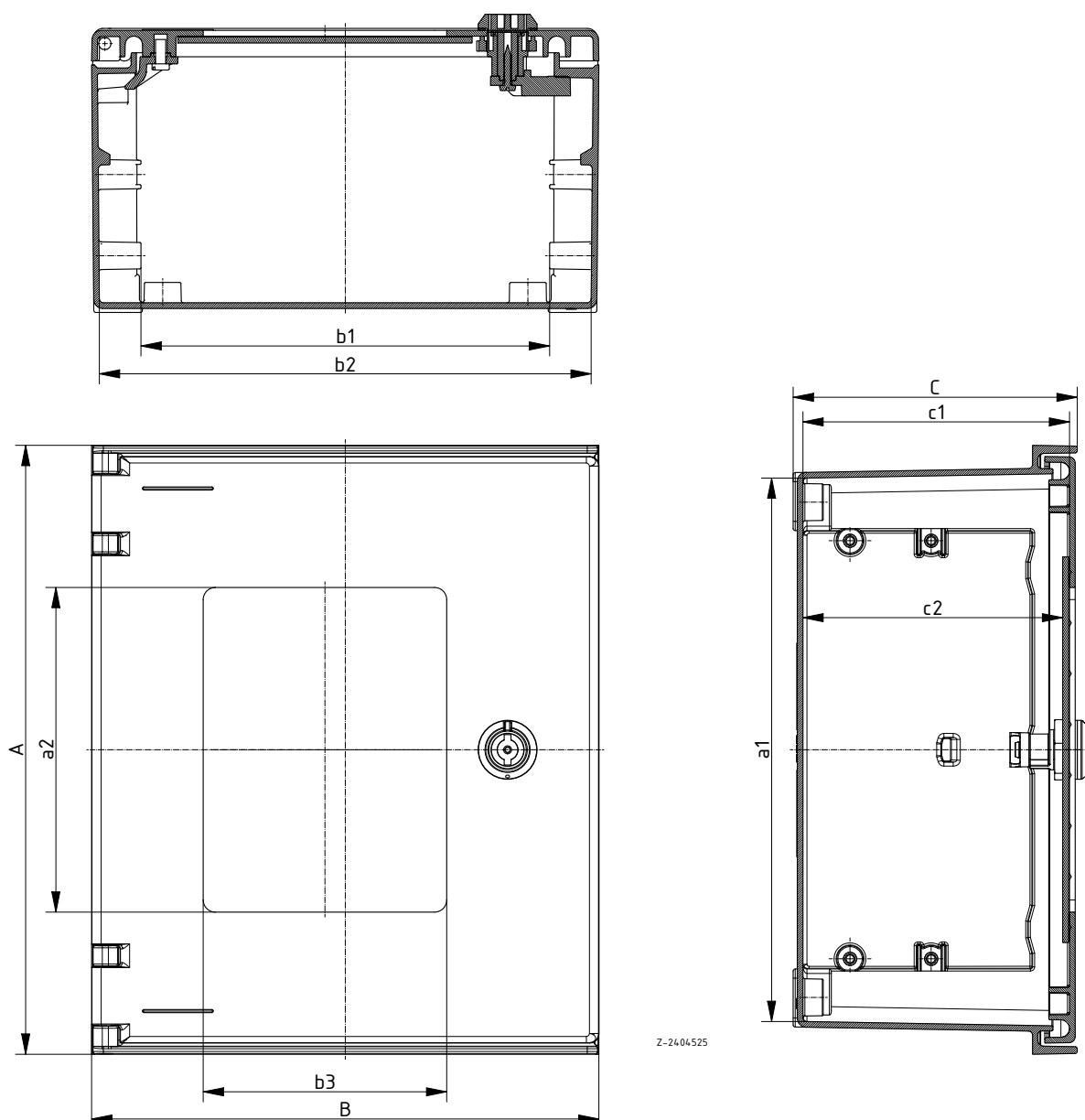
Enclosure, door with transparent viewing window

Enclosure, door with transparent viewing window

Model	Order no.	A	B	C	a1	a2	b1	b2	b3	c1
PS 321-T	42232100	300	250	140	267.8	160	201.4	242.4	120	131.4
PS 432-T	42243200	400	300	200	365.7	260	251.4	291.3	120	191.4
PS 442-T	42244200	400	400	200	365.7	260	351.4	391.3	220	191.4
PS 542-T	42254200	500	400	200	465.7	360	351.4	391.3	220	191.4
PS 642-T	42264200	600	400	230	564.6	460	351.4	390.4	220	221
PS 652-T	42265200	600	500	230	564.6	460	451.4	490.4	320	221
PS 832-T	42283200	800	300	230	764.6	660	251.4	290.4	120	221
PS 863-T	42286300	800	600	300	762.2	660	551.4	588.8	420	290.8



Scope Of Delivery: Enclosure, assorted fixing material



Polysafe

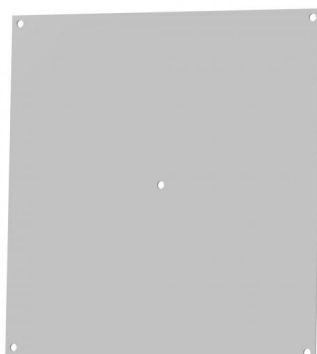
Mounting panels



Mounting panel, galvanised sheet steel, 2 mm thick

Model	Order no.	Note
PS MP-M 321	42432101	For PS 321(-T)
PS MP-M 432	42443201	For PS 432(-T)
PS MP-M 442	42444201	For PS 442(-T)
PS MP-M 542	42454201	For PS 542(-T)
PS MP-M 642	42464201	For PS 642(-T)
PS MP-M 652	42465201	For PS 652(-T)
PS MP-M 832	42483201	For PS 832(-T)
PS MP-M 863	42486301	For PS 863(-T)

Scope Of Delivery: 1 mounting panel



Mounting panel, polyester, 3 mm thick

Model	Order no.	Note
PS MP-PE 321	42432102	For PS 321(-T)
PS MP-PE 432	42443202	For PS 432(-T)
PS MP-PE 442	42444202	For PS 442(-T)
PS MP-PE 542	42454202	For PS 542(-T)
PS MP-PE 642	42464202	For PS 642(-T)
PS MP-PE 652	42465202	For PS 652(-T)
PS MP-PE 832	42483202	For PS 832(-T)
PS MP-PE 863	42486302	For PS 863(-T)

Scope Of Delivery: 1 mounting panel

Polysafe

Installation components

Metal frame for installation devices acc. to DIN 43880

Model	Order no.	Note
PS C 321	42432103	For PS 321(-T), 2-rows for 20 switch modules
PS C 432	42443203	For PS 432(-T), 2-row, for 24 switch modules
PS C 442	42444203	For PS 442(-T), 2-row, for 36 switch modules
PS C 542	42454203	For PS 542(-T), 3-row, for 54 switch modules
PS C 642	42464203	For PS 642(-T), 4-row, for 72 switch modules
PS C 652	42465203	For PS 652(-T), 4-row, for 92 switch modules
PS C 832	42483203	For PS 832(-T), 5-row, for 60 switch modules
PS C 863	42486303	For PS 863(-T), 5-row, for 140 switch modules

Scope Of Delivery: Complete rack incl. DIN rails and cover plate (PC) for switch modules (17.5mm)



Inner door with lock, polyester

Model	Order no.	Note
PS IT 321	42532102	For PS 321(-T), usable installation depth 72mm
PS IT 432	42543202	For PS 432(-T), usable installation depth 132mm
PS IT 442	42544202	For PS 442(-T), usable installation depth 132mm
PS IT 542	42554202	For PS 542(-T), usable installation depth 132mm
PS IT 642	42564202	For PS 642(-T), usable installation depth 162mm
PS IT 652	42565202	For PS 652(-T), usable installation depth 162mm
PS IT 832	42583202	For PS 832(-T), usable installation depth 162mm
PS IT 863	42586302	For PS 863(-T), usable installation depth 232mm

Scope Of Delivery: 1 inner door



Polysafe

Ventilation elements

Ventilation elements

Model	Order no.
PS VE XS	42600410
PS VE XL	42600420

Scope Of Delivery: Suitable for all sizes. Maximum possible protection class: IP X3.

Notes: Suitable for all sizes. Maximum possible protection class: IP X3.

Polysafe

Accessories

Mast mounting, stainless steel V2A, uncoated

Model	Order no.	Note
PS MH-030	42600210	For PS 321, 432, 832(-T)
PS MH-040	42600220	For PS 442, 542, 642(-T)
PS MH-050	42600230	For PS 652(-T)
PS MH-060	42600240	For PS 863(-T)

Scope Of Delivery: 2 retaining rails, mounting material

Notes: Please order separately the matching clamp according to the required clamp area.



Clamp for mast mounting, stainless steel

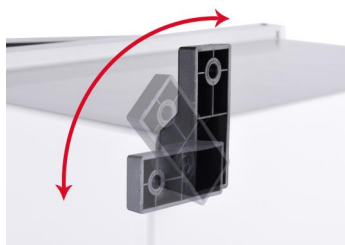
Model	Order no.	Note
MH S 70-90	96500090	Terminal area 70-90 mm
MH S 90-110	96500110	Terminal area 90-110 mm
MH S 110-130	96500130	Terminal area 110-130 mm
MH S 130-150	96500150	Terminal area 130-150 mm
MH S 150-170	96500175	Terminal area 150-170 mm
MH S 170-190	96500190	Terminal area 170-190 mm
MH S 190-210	96500210	Terminal area 190-210 mm

Scope Of Delivery: 10 pieces



Polysafe

Accessories



Wall brackets, screw-on at rear, polyester

Model	Order no.
PS WL	42600200

Scope Of Delivery: 1 set (4 pieces), fixing screws



Door locking system

Model	Order no.	Note
PS TS	42600300	Opening angle max. 145°

Scope Of Delivery: 1 set (2 pieces, 4 screws)



Locks

Model	Order no.	Note
PS PL	42600110	For padlock Ø 11mm, galvanized steel
PS ML	42600120	For padlock Ø 11mm, stainless steel
PS KL	42600130	Lock cylinder with 2 keys

Scope Of Delivery: 1 piece





BOPLA

A Phoenix Mecano Company