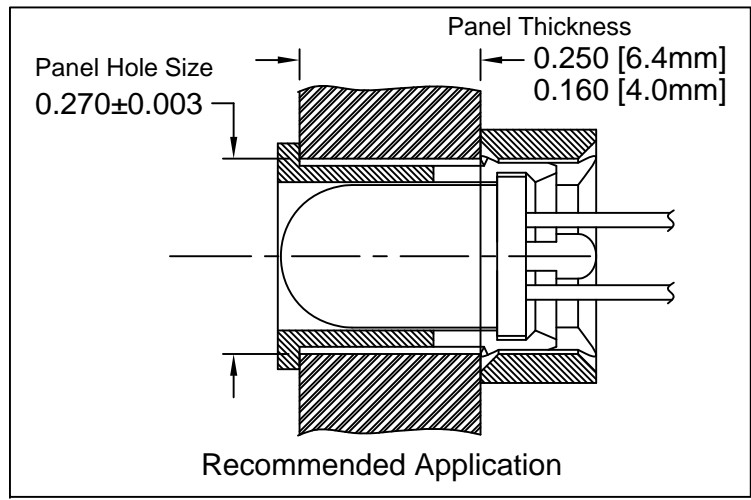
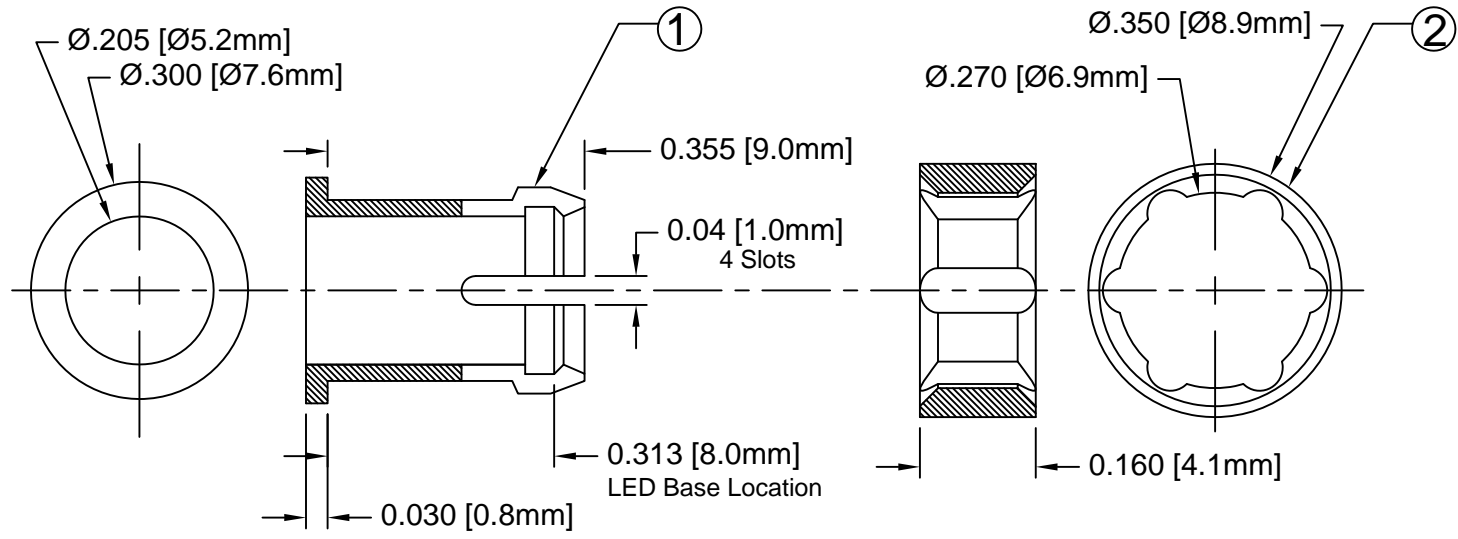


ITEM	Q'TY	PART NUMBER	PART DESCRIPTION
1	1	C-174L	T-1¼ (5mm) LED CLIP
2	1	R-174	T-1¼ (5mm) LED RING

REV.	DESCRIPTION	DATE	APPROVED
C	Engineering Update w/o Changes	02/26/04	M. C.
D	Corrected BOM, LED size from 3mm to 5mm	02/05/14	J. C.
E	Typo Correction	11/05/14	J. C.
F	Engineering Update w/o Changes	05/28/16	J. C.



- 2. MATERIAL: NYLON 6/6, 94V-2, BLACK.
- 1. GENERAL SPECIFICATIONS: BIVAR MOLDED COMPONENT SPECIFICATION BV00-E101.

STANDARD TOLERANCE (UNLESS OTHERWISE SPECIFIED)	
DECIMALS	ANGULAR
.X ± .1	X° ± 1°
.XX ± .01	
.XXX ± .005	

**BIVAR**<sup>®</sup>  
 4 THOMAS, IRVINE, CA. 92618  
 TEL: (949) 951-8808 FAX: (949) 951-3974

**TITLE:** T-1¼ LED CLIP & RING SET

**DESIGNED:** S. Irving **DATE:** 11/24/98 **PART NO:** CR-174L **REVISION:** F

**CHECKED:** M. Chen **DATE:** 05/17/02 **CAGE CODE :** 32559 **SHEET #** 1 **OF** 1

CAD GENERATED DOCUMENT. DO NOT MEASURE DRAWING.

# Mouser Electronics

Authorized Distributor

Click to View Pricing, Inventory, Delivery & Lifecycle Information:

[BIVAR:](#)

[CR-174L](#)