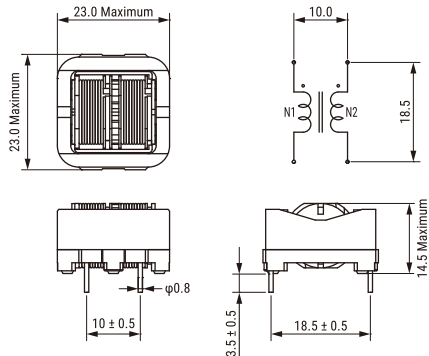


KEMET Part Number: SSR21NH-10250
(UALN21H1025000)

KEMET, SSR21NV/NH, AC Line Filters, Common Mode, 0.025 H



Dimensions

L	23mm MAX
T	23mm MAX
H	14.5mm MAX
LL	3.5mm +/-0.5mm
S	10mm +/-0.5mm

Packaging Specifications

Packaging:	Tray
Packaging Quantity:	420
Weight:	13 g

General Information

Series:	SSR21NV/NH
Style:	Through-Hole
Features:	Compact Size, Light Weight, High Performance, Low DCR, High Impedance, Strong Inductance
RoHS:	Yes
Miscellaneous:	45 (K) Temperature Rise Max.

Specifications

Voltage AC:	250 VAC
Inductance:	25 mH (10 kHz)
Current:	1 A
Temperature Range:	-25/+120°C
DC Resistance:	360 mOhms