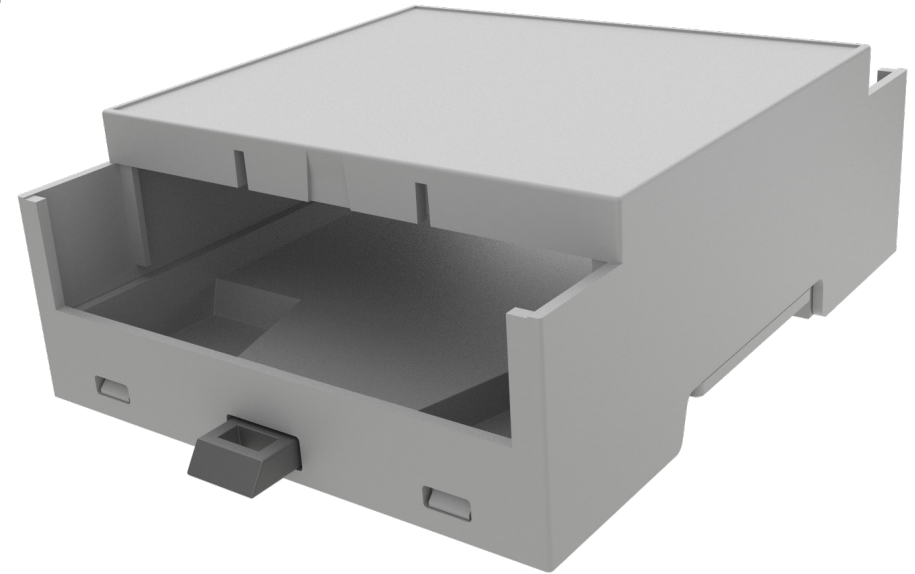


- DIN Rail mounting enclosure to suit varying electronic and electrical applications
- Terminal blocks/connectors can be mounted on either side of the enclosure
- Top panel is produced as part of the mould (non-removeable)
- Customisation options are available including machining and/or printing to customer specific requirements
- Kit supplied includes, base, cover and DIN rail hook



**Hitaltech SA/NV**

(Sales Benelux, France & Italy)

T: +32 2725 2075

E: europe-sales@hitaltech.com

**Hitaltech UK Ltd**

(Sales UK & Eire)

T: +44 (0) 1253 899910

E: uksales@hitaltech.co.uk

**Hitaltech GmbH**

(Sales Germany)

T: +49 (0) 351 65 57 39 10

E: de-verkauf@hitaltech.com

**Hitaltech Corp. Japan**

(Sales Asia)

T: +81 (0)467 23 81 00

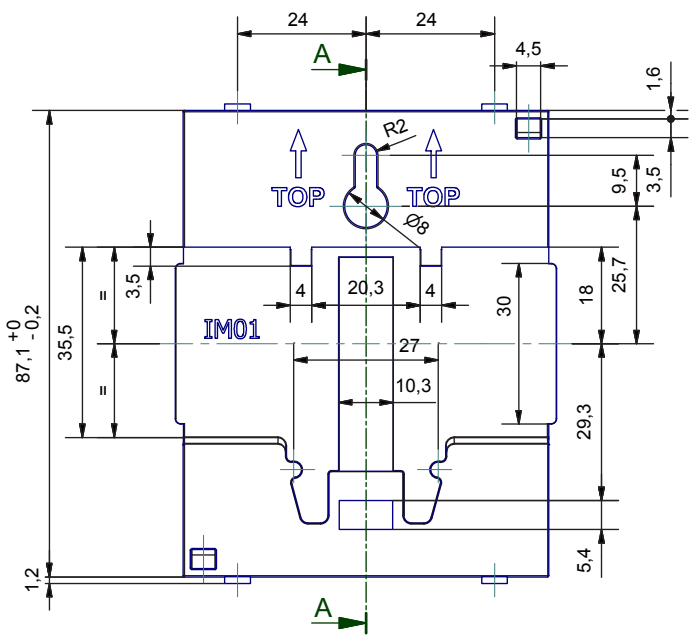
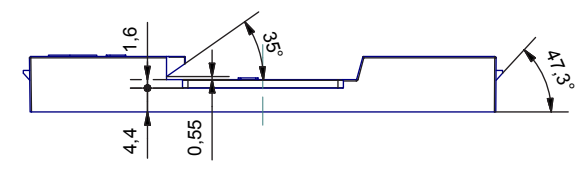
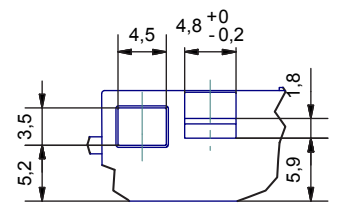
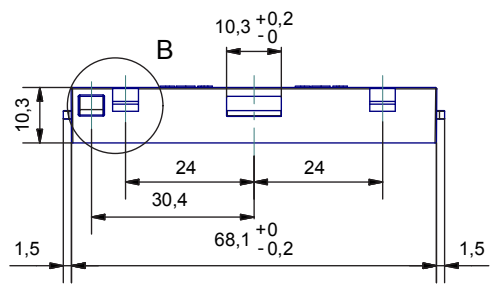
E: japan-sales@hitaltech.com

**Hitaltech Headquarters**

(Sales for the Rest of the World)

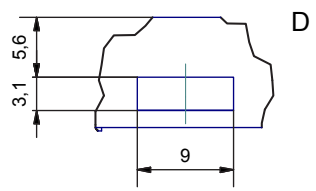
T: +32 2725 2075

E: europe-sales@hitaltech.com

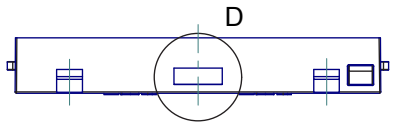
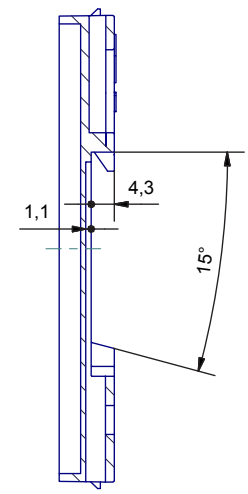


B

A-A



D



D

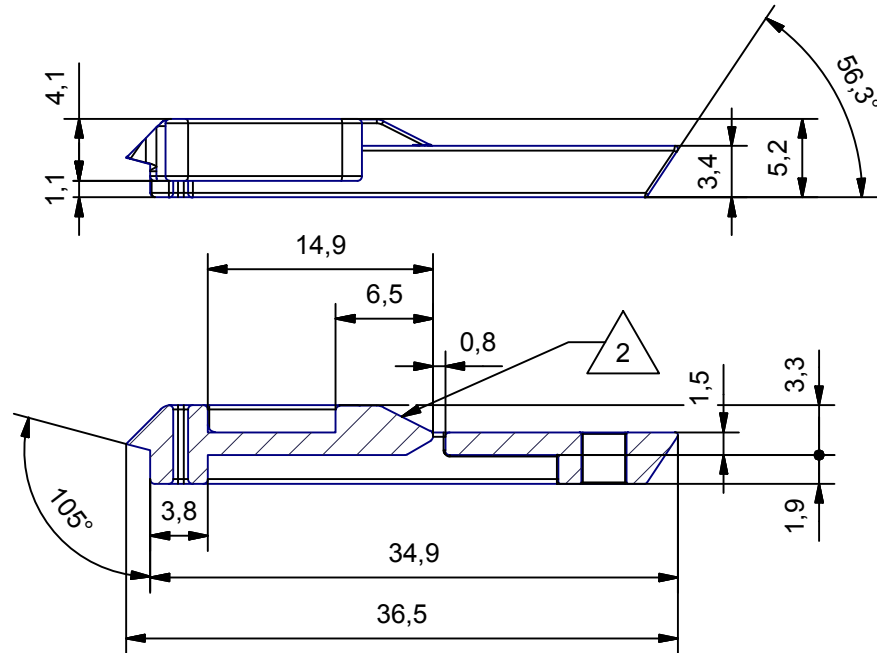
<b>RESERVED PROPERTY</b> The present drawing cannot be reproduced or communicated to 3d parties, even partially, without the authorization of ITALTRONIC Srl. Italtronic reserves to protect its own rights according to the law.	Dimension in mm	SHEET NR. 1 / 1	DRAWING BY  Manual modification are not allowed	GENERAL TOLERANCE $\pm 0.2$ mm	5	4	3	2	1
	Date: 31/07/2007	Drawn: Zorzato E.	Checked: Mazzucato F.	Replace nr.	Scale:	Revision description			
Denomination:		Base 4M-XT 4M-XT Base							
 A group of connecting technologies		 enclosures for electronics		Drawing nr. M-01990-02					

Allargata sede per guida din "IM01" 11-05-2012 D.D.M.  
 Eliminata nervatura blocco aggancio. 30/04/2008 Zorzato E.

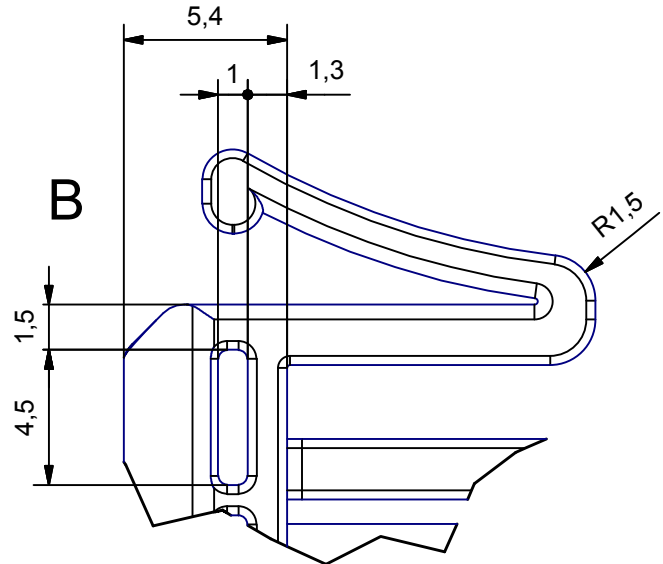


REVISIONE

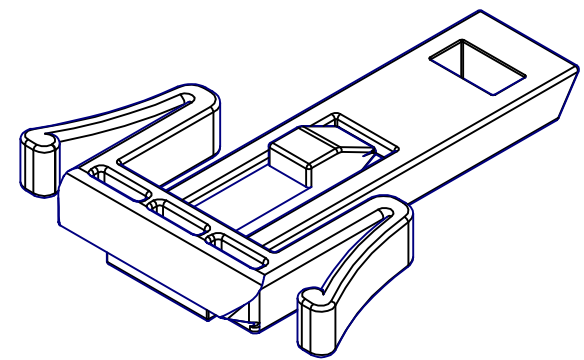
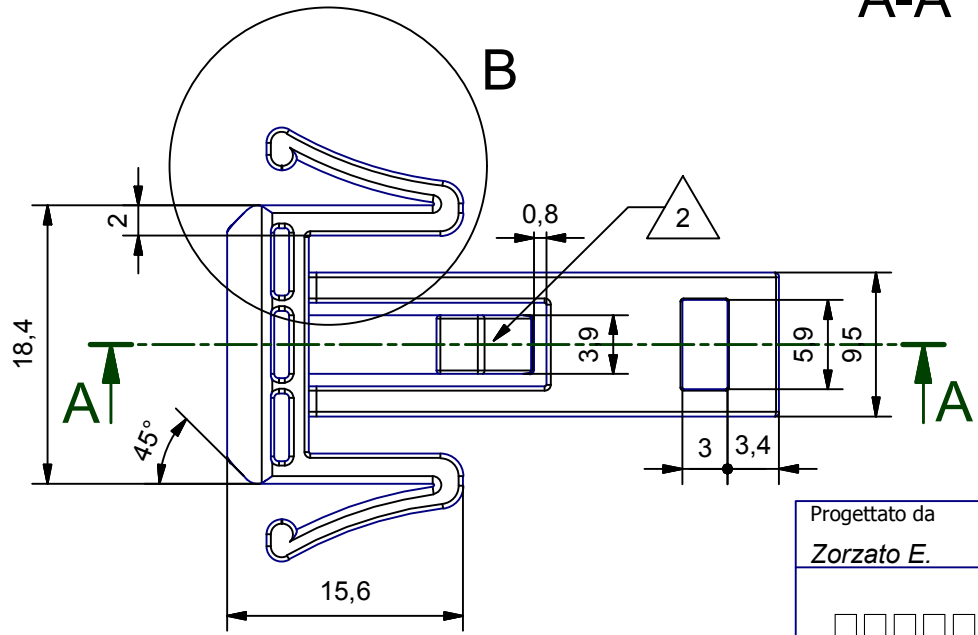
Rev. n°	Descrizione	Data	Eseguita da
1	Modificato parti gancio.Changed parts hook.	17/07/13	Rigato N.
2	Modificato parti gancio.Changed parts hook.	31/01/14	Rigato N.





A-A



B



Tolleranze generali: ± 0.2 mm

Progettato da <b>Zorzato E.</b>	Verificato da <b>Mazzucato F.</b>	Data 12/03/2007	Sostituisce il
		<b>Nuovo aggancio lungo MODULBOX</b>	
		M-01900-02	Edizione 00
			Foglio 1 / 1