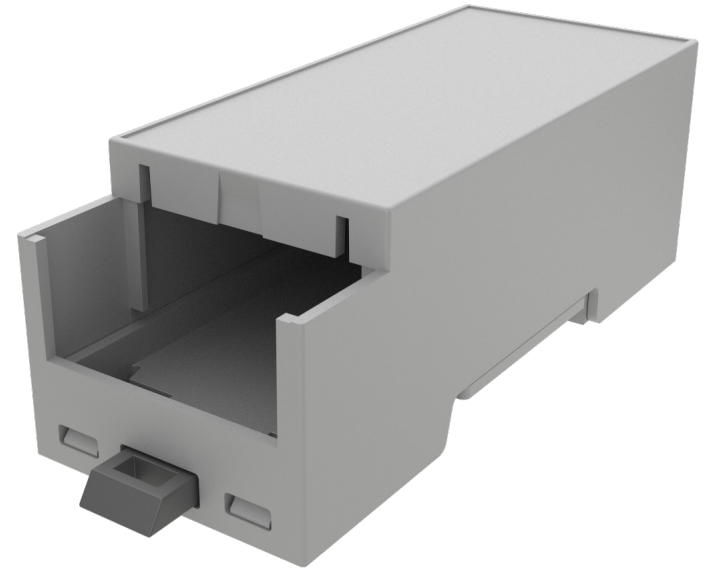


- DIN Rail mounting enclosure to suit varying electronic and electrical applications
- One open side for terminal blocks/connectors and one high shoulder to increase internal volume for components
- Top panel is produced as part of the mould (non-removeable)
- Customisation options are available including machining and/or printing to customer specific requirements
- Kit supplied includes, base, cover and DIN rail hook



Hitaltech SA/NV

(Sales Benelux, France & Italy)
T: +32 2725 2075
E: europe-sales@hitaltech.com

Hitaltech UK Ltd

(Sales UK & Eire)
T: +44 (0) 1253 899910
E: uksales@hitaltech.co.uk

Hitaltech GmbH

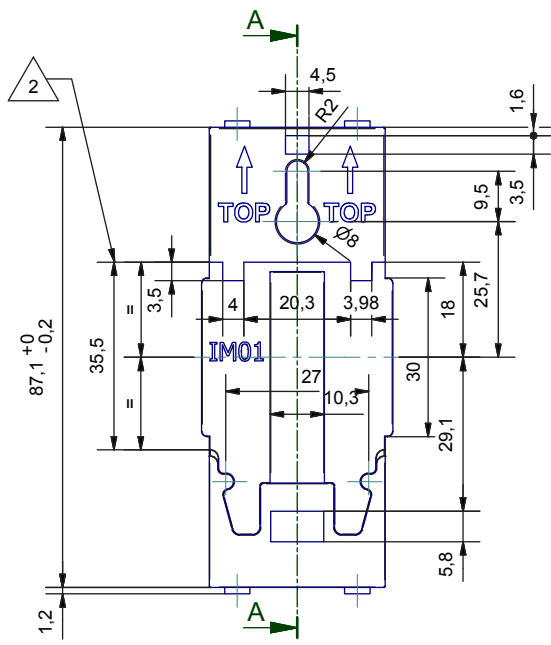
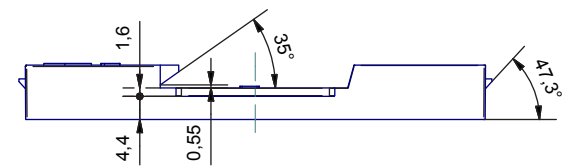
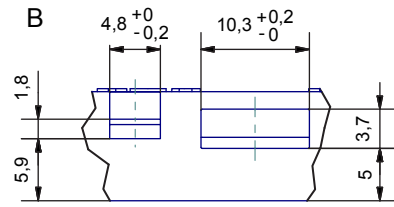
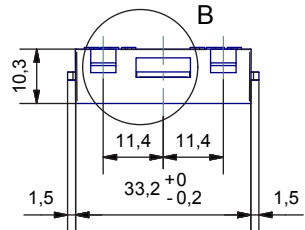
(Sales Germany)
T: +49 (0) 351 65 57 39 10
E: de-verkauf@hitaltech.com

Hitaltech Corp. Japan

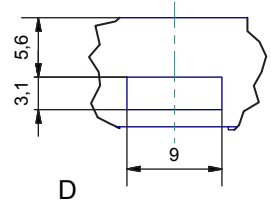
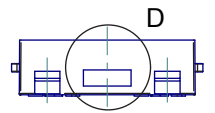
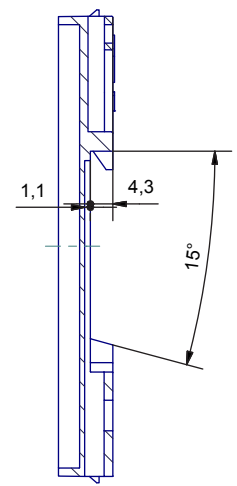
(Sales Asia)
T: +81 (0)467 23 81 00
E: japan-sales@hitaltech.com

Hitaltech Headquarters

(Sales for the Rest of the World)
T: +32 2725 2075
E: europe-sales@hitaltech.com



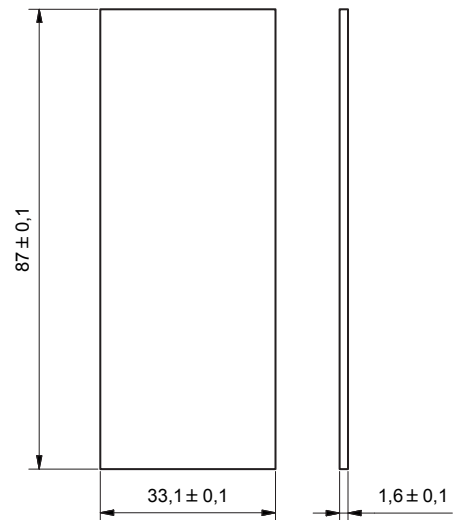
A-A



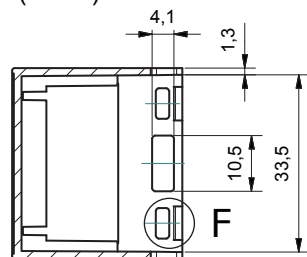
RESERVED PROPERTY The present drawing cannot be reproduced or communicated to 3d parties, even partially, without the authorization of ITALTRONIC Srl. Italtronic reserves to protect its own rights according to the law.	Dimension in mm	SHEET NR. 1 / 1	DRAWING BY Manual modification are not allowed	GENERAL TOLERANCE ± 0.2 mm	5	4	3	2	1
	Date: 12/07/2007	Replace nr.	Revision description						
Drawed: Mazzucato F.	Checked: Mazzucato F.	Scale:	Denomination: Base 2M-XT 2M-XT Base						
 A group of connecting technologies			 enclosures for electronics		Drawing nr. M-01983-02				

Allargata sede per guida din "IM01" 11-05-2012 D.D.M.
 Eliminata nervatura blocco aggancio - Removed stop for hook. 24/11/2008 Zorzato E.

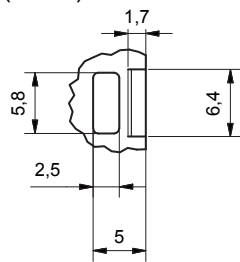
Dimension of PCB



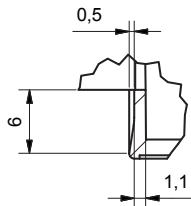
B-B (1:1)



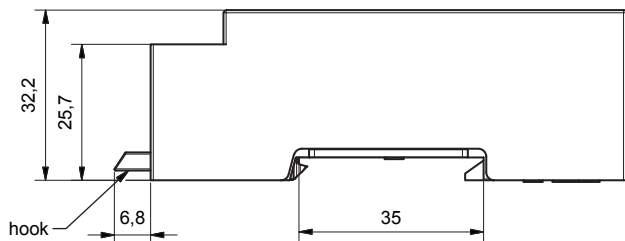
F (2:1)



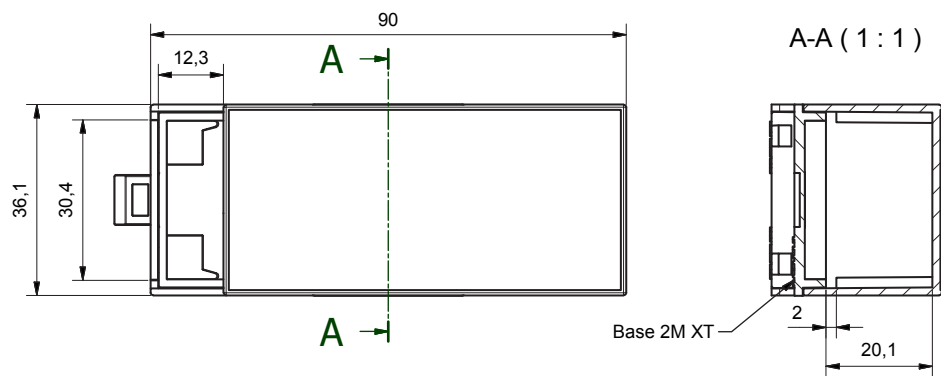
D (2:1)



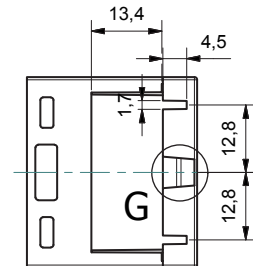
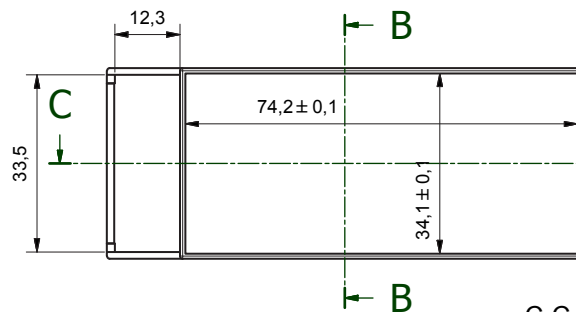
Assembly



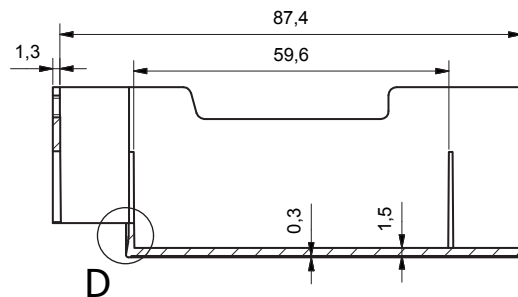
A-A (1:1)



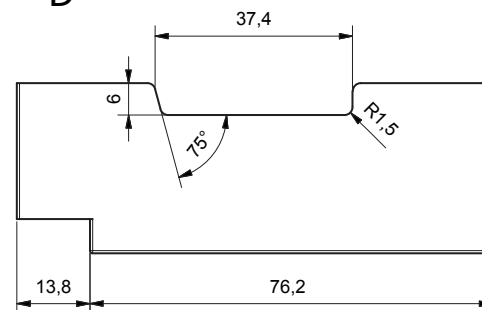
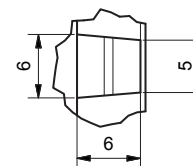
Body enclosure



C-C (1:1)



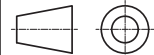
G (2:1)



Da 0,5 a 3	Oltre 3 fino a 6	Oltre 6 fino a 30	Oltre 30 fino a 120	Oltre 120
± 0,1	± 0,1	± 0,2	± 0,3	± 0,5

RESERVED PROPERTY

The present drawing cannot be reproduced or communicated to 3d parties, even partially, without the authorization of ITALTRONIC Srl. Italtronic reserves to protect its own rights according to the law.



Dimension in mm

SHEET NR.
1 / 1

DRAWING BY
GAS
Manual modification are not allowed

GENERAL TOLERANCE
UNI EN 22768/1
Media (m)

Date: 15/05/2014

Replace nr.

Drawn: Rigato N.

Checked: Dalla Montà D.

Scale:

5 4 3 2 1

Revision description

Hitalttech
A group of connecting technologies

Denomination:

Contentitore Modulbox XTS 2MHC33-B chiuso compact

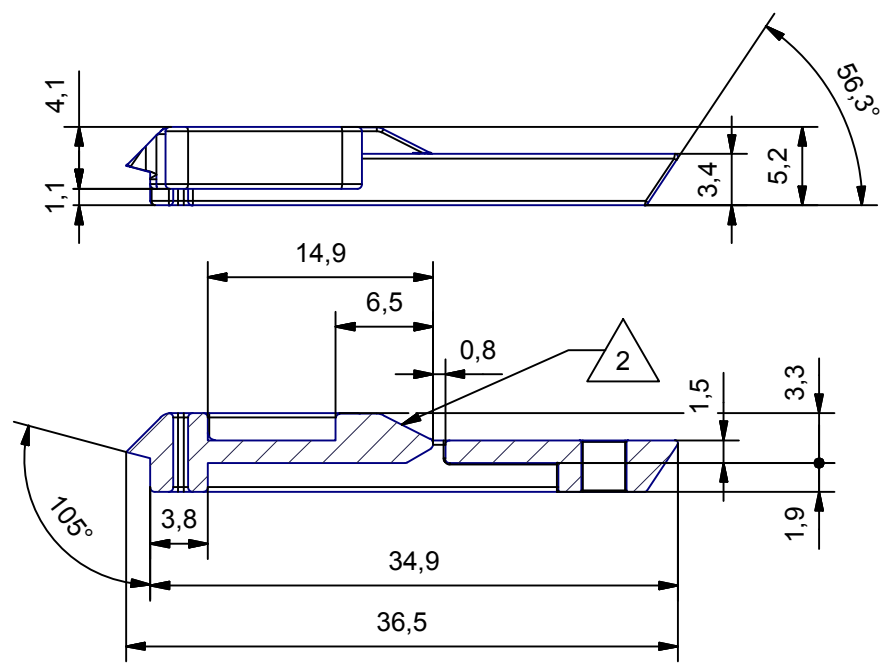
Enclosure Modulbox XTS 2MHC33-B closed compact

italtronic
enclosures for electronics

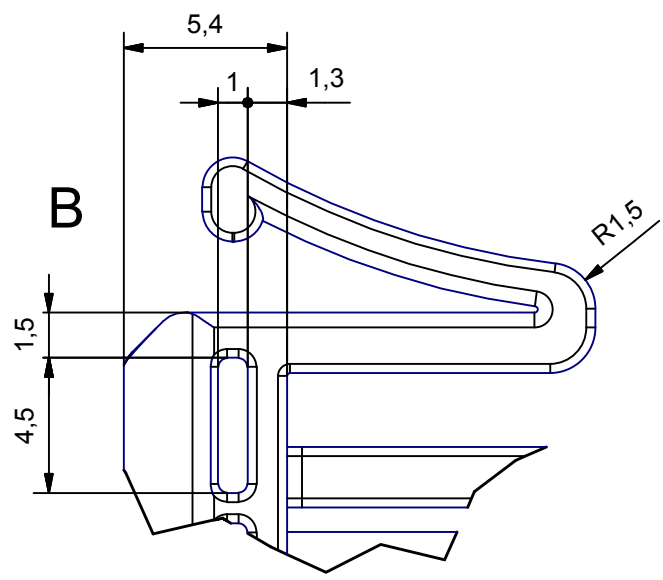
Drawing nr.

M-05168-00

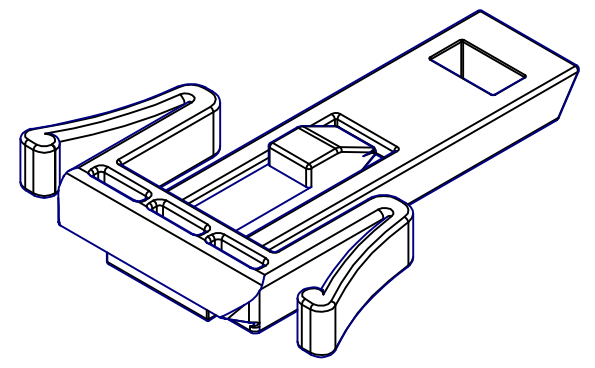
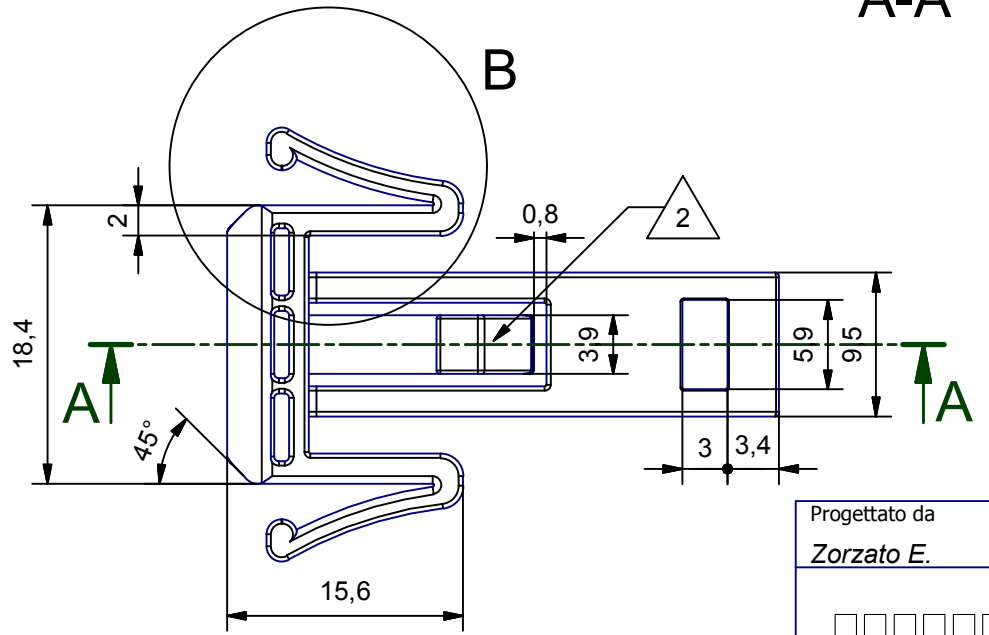
REVISIONE			
Rev. n°	Descrizione	Data	Eseguita da
1	Modificato parti gancio.Changed parts hook.	17/07/13	Rigato N.
2	Modificato parti gancio.Changed parts hook.	31/01/14	Rigato N.




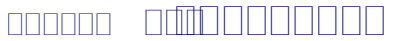
A-A



B



Tolleranze generali: ± 0.2 mm

Progettato da Zorzato E.	Verificato da Mazzucato F.	Data 12/03/2007	Sostituisce il
		Nuovo aggancio lungo MODULBOX	
		M-01900-02	Edizione 00
			Foglio 1 / 1