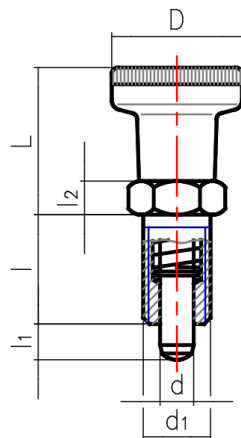
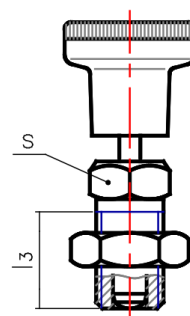


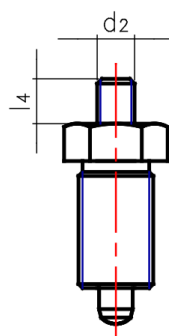
Execution A



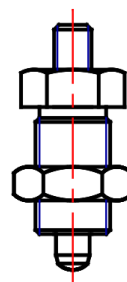
Execution AK

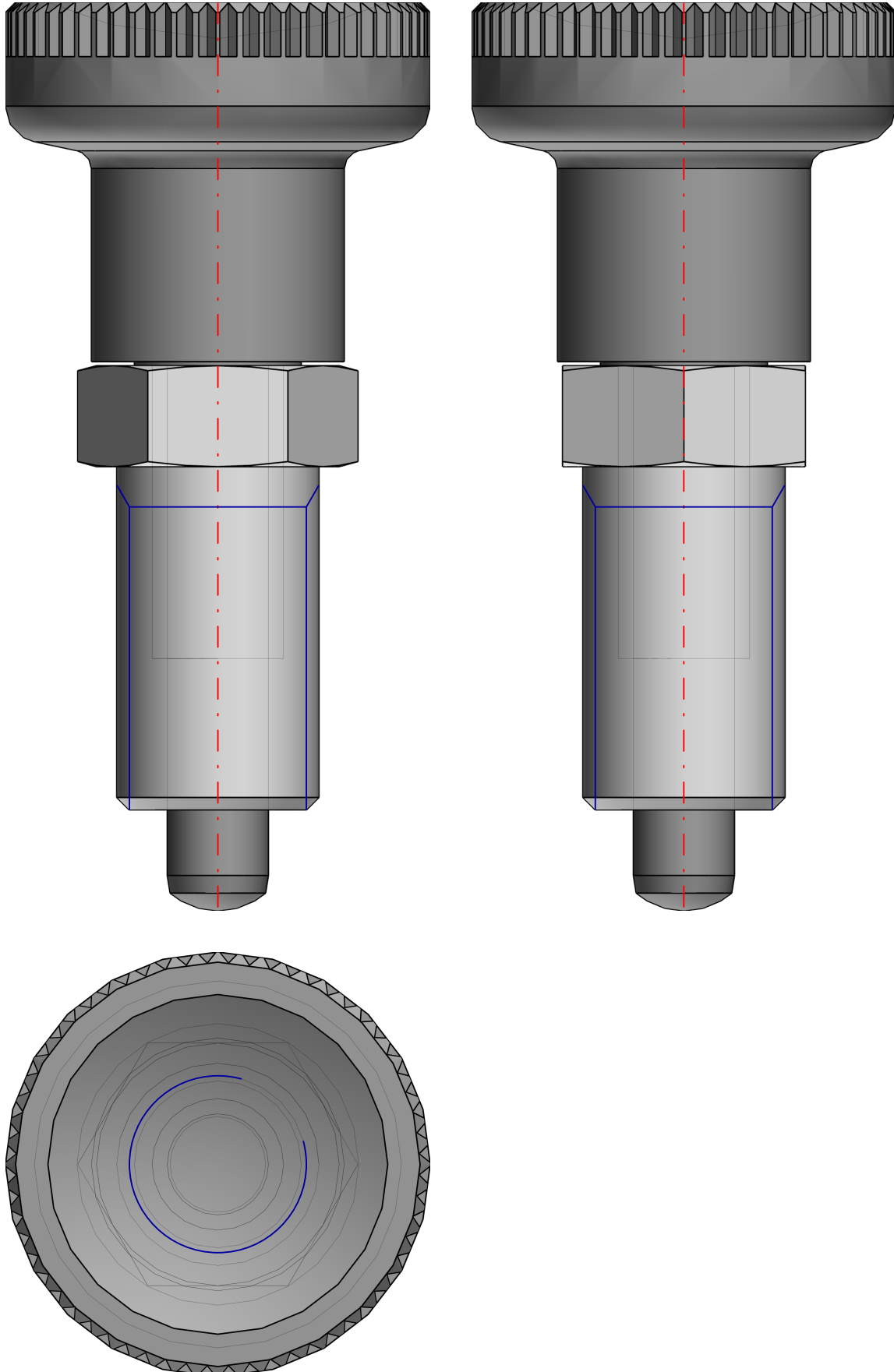


Execution G



Execution GK





CODE (Code)	51571
DESCRIPTION (Description)	PMT.100-5-M10x1-SST-AK
POS (Position)	closed
DIM01 (d -0.15 -0.1 / mm)	5
DIM02 (L / mm)	23
DIM03 (d1)	M10x1
DIM05 (D / mm)	21
DIM06 (I / mm)	17
DIM07 (I1 / mm)	5
DIM08 (I2 / mm)	5
DIM09 (I3 / mm)	15
DIM11 (S / mm)	12
DIM12 (Preload / N~)	7
DIM13 (Max. load / N~)	17
WEIGHT (Weight / g)	13

Bill of material

N°	Description	Amount
1.1		2