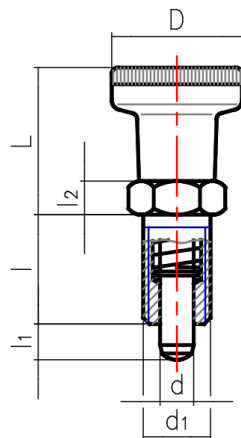
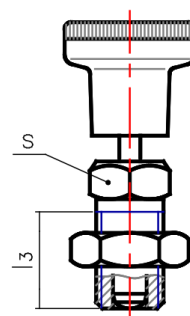


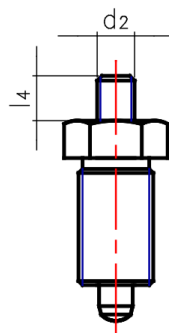
Execution A



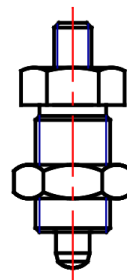
Execution AK

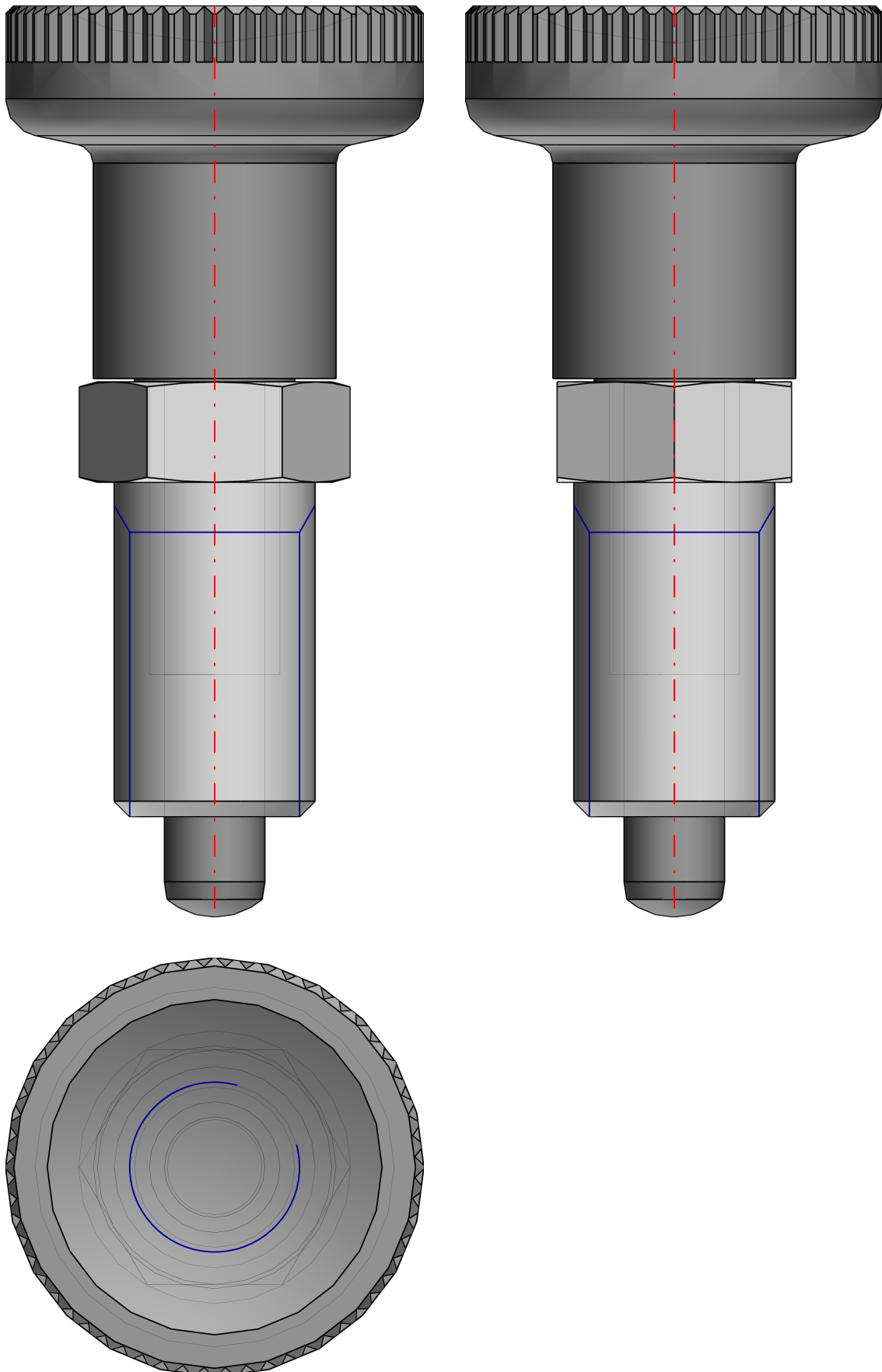


Execution G



Execution GK





<b>CODE (Code)</b>	51572
<b>DESCRIPTION (Description)</b>	PMT.100-6-M12x1.5-SST-AK
<b>POS (Position)</b>	closed
<b>DIM01 (d -0.15 -0.1 / mm)</b>	6
<b>DIM02 (L / mm)</b>	28
<b>DIM03 (d1)</b>	M12x1.5
<b>DIM05 (D / mm)</b>	25
<b>DIM06 (I / mm)</b>	20
<b>DIM07 (I1 / mm)</b>	6
<b>DIM08 (I2 / mm)</b>	6
<b>DIM09 (I3 / mm)</b>	17
<b>DIM11 (S / mm)</b>	14
<b>DIM12 (Preload / N~)</b>	9
<b>DIM13 (Max. load / N~)</b>	24
<b>WEIGHT (Weight / g)</b>	20

## Bill of material

N°	Description	Amount
1.1		2