

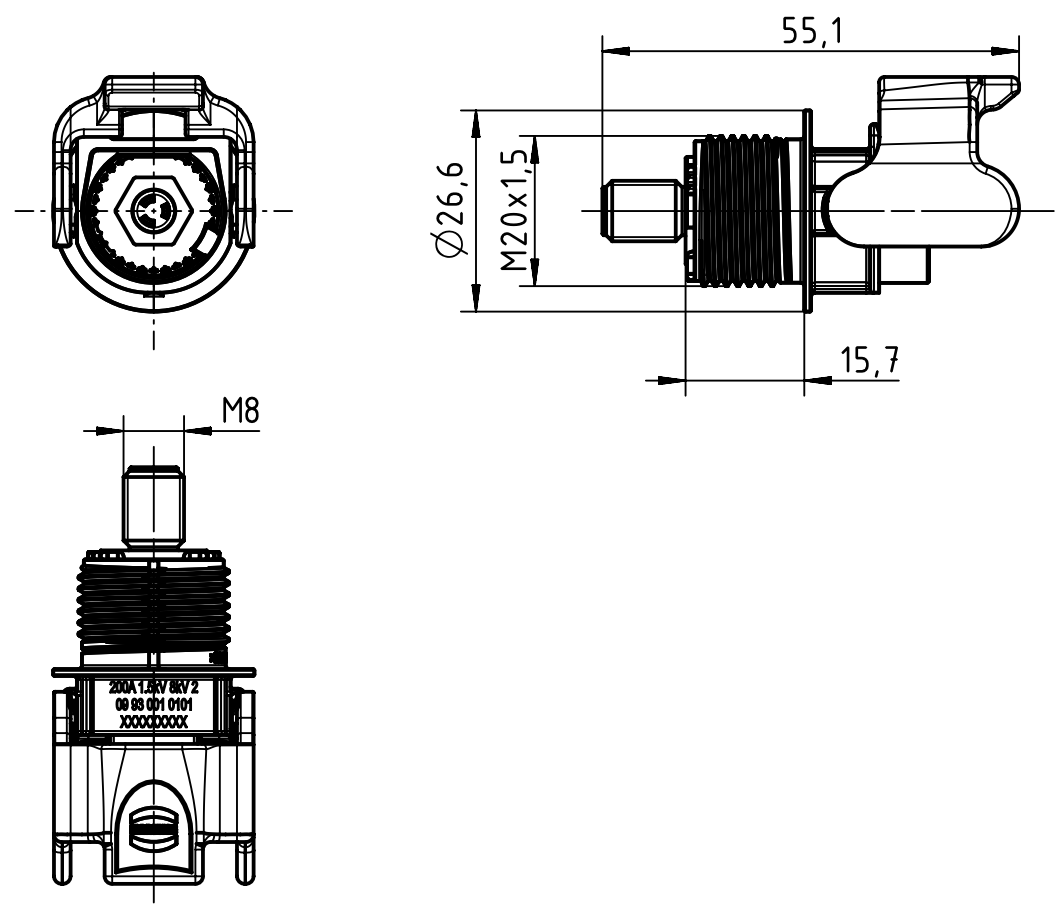
1 2 3 4 5 6

A

B

C

D



	All Dimensions in mm Original Size DIN A4		Scale 1:1	Free size tol.		Ref.
						Sub.
	All rights reserved		Created by DEIMEL	Inspected by GRIEPENSTROH	Standardisation 302077	Date 2021-04-19
	Department EL PD		Title Han@ S-HSI w. MC M8-black			State Final Release
HARTING D-32339 Espelkamp		Type TB	Number 09 93 001 0101			Doc-Key / ECM-Nr. 100833217/UGD/000/C 500000193505
					Rev. C	Page 1/1