



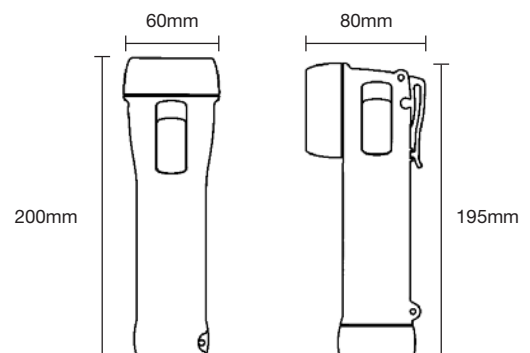
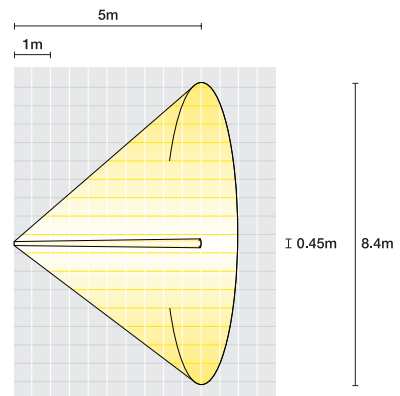
WOLF ATEX SAFETY TORCH with LED



- ATEX certified for explosive gas and dust approval
- High output LED light source
- Duration up to 27 hours from 2 x 1.5V D cells LR20
- T4 temperature class
- IP67 dust and watertight
- Low battery indicator
- Simple, robust design
- Straight and right-angle versions
- Single handed switching
- LED module can be retro-fitted to Wolf T4 bulb torches



TR-30+ & TS-30+
70 lumens beam (approx 5°)
Peak luminous intensity at 1m, 8600 lux
Peak luminous intensity at 5m, 291 lux



Wolf ATEX Safety Torch with LED gives reliable, simple, cost effective, high output LED performance in a straight or right-angle body style.

The TR-30+ and TS-30+ torches, incorporating the Wolf TP-300 'Torch LED Module', give an exceptional output of up to four times more light than an incandescent torch bulb, generating a piercing white spot beam combined with a wide angle flood of fringe light, for excellent visibility in conditions of darkness or reduced visibility.

With a typical life of over 25,000 hours, the TP-300 LED is expected to last the product lifetime, minimising product maintenance and eliminating risk of light source failure. Additionally the highly efficient LED technology gives an increased battery duration of up to 27 hours from a set of two alkaline 'D' cells, more than twice the duration from a conventional safety torch using the same cells.

The TP-300 LED module incorporates a low battery indicator, emitting a flashing red LED signal to

show good battery power and correct torch function, changing to a static red LED signal to warn of 'low battery' power. After several hours in the 'low battery' phase, the light will cut out.

The Wolf ATEX Torch range is CE marked compliant with the 94/9/EC ATEX Explosive Atmospheres Equipment Directive. Certification to the latest standard is for use in potentially explosive gas, vapour and mist atmospheres, zones 1 and 2, temperature class T4. Dust ignition protection covers use in zones 21 and 22, with the certified maximum surface temperature of 95°C. Temperature ambient of use is from -20°C to a maximum of +40°C or 55°C with certain cells as specified in the instructions.

The compact Wolf TS-30+ and TR-30+ Torch bodies, in straight or right-angle forms, have an enhanced ergonomic design for easy grip and single handed switching, even with gloved hands. The torch bodies offer high strength and proven impact resistance, even at sub zero

temperatures, using carefully selected thermoplastic resins with excellent chemical resistance. Additionally, the rubber armoured lens ring and end cap give enhanced grip and shock protection. The shatterproof polycarbonate lens has a scratch and chemical resistant coating.

Wolf ATEX Torches are sealed dust tight and protected from water immersion with a certified IP67 enclosure. The right angle model incorporates a replaceable high strength thermoplastic belt clip for hands-free use. Both models allow straightforward battery replacement. All models are supplied with wrist straps.

As well as for use in the TR-30+ and TS-30+ torches, the TP-300 'Torch LED Module' can be 'retro-fitted' by the user into the Wolf ATEX Safety Torch T4 models including; TR-24, TR-24+, TS-24 or TS-24+ to bring these same improvements to Wolf ATEX T4 torches already in use. For further information, see Wolf website.

Wolf ATEX Safety Torch with LED		
Technical Specification		
Model	TS-30+	TR-30+
Description	ATEX Safety Torch with LED, Primary Cell Powered	
	Straight T4 LED Torch with indicator	R/Angle T4 LED Torch with indicator
Code	ATEX Ex e ib IIC T4 Gb (Ta=40/55°C) Ex tb IIIC T95°C Db (Ta=55°C)	
Type of protection	Increased Safety, intrinsic safety	
Area of classification (gas)	Zone 1 & 2, Gas Groups IIA, IIB, IIC	
Max surface temp (gas)	T4	
Ambient temperature (gas)	-20°C to +40°C/+55°C	
Area of classification (dust)	Zone 21 and 22	
Temperature class (dust)	95°C	
Ambient temperature (dust)	-20°C to +55°C	
Certificate	BAS02ATEX2220X	
Enclosure material	Impact resistant thermoplastic, electrostatic non-hazardous	
Lens	Polycarbonate, impact resistant with hard coat	
Beam type	Medium Spot	
Light source	Part No.	TP-300
	Power	Torch LED Module
	Output	70 lm
	LED Life	25,000 hrs plus
Power Source	Part No.	2 x H-20 (LR20)
	Battery type	LR20 primary cells to IEC60086
	Volts	2 x 1.5v
Light duration	Up to 22 hours to low power indicator up to 27 hours total	
Ingress protection	IP67	
Weight (incl. cells)	475g	500g

Note: All information has been gathered under laboratory conditions, the user must regard the values given as approximate.

WOLF SAFETY LAMP COMPANY

Saxon Road Works, Sheffield S8 0YA, England

Tel: +44 114 255 1051 Fax: +44 114 255 7988

E-mail: info@wolf-safety.co.uk Website: www.wolf-safety.co.uk

MMD/11.11

SL035 issue 02



Wolf Safety Lamp Company