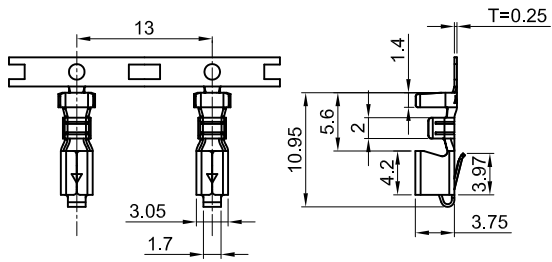


The information provided herein is from CONNELY Electronic Co., Ltd. and is confidential. Any disclosure to a party other than the recipient is prohibited. The intellectual properties and its rights contained herein, including but not limited to, trademarks, patents, copyrights, trade secrets, and technical know-how, are owned exclusively by CONNELY or its affiliates. Unauthorized use of this information in any format or manner. CONNELY may enforce its intellectual property rights at its own discretion; failures or delays to exercise such rights does not constitute a waiver of such rights.

1 2 3 4 5 6 7 8

REV.	DESCRIPTION	DRAWN	CHECKED	APPROVED
A	NEW RELEASE	HP 29/06/05		LJC 29/06/05
B	ADD P/N CODE	JLZ 01/30/15'		LJC 01/30/15'
C	DRAWING UPDATE	JLZ 12/27/16'		
E	DRAWING UPDATE	JLZ 02/28/19'		

Female Terminal

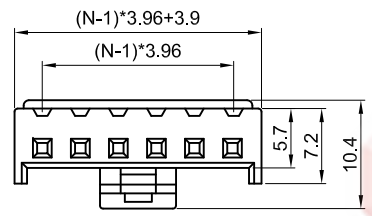


T-DS1073- S C 6 0 0
 Contact Plating
 6: Tin

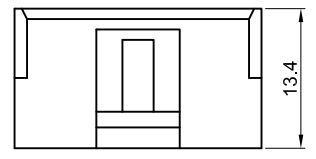
NOTES:

- 1. MAIN SPECIFICATIONS**
- . Housing material: NYLON 66
 - . Wire range: AWG#22~#18
 - . Rated voltage: 250V
 - . Rated current: 7A
 - . Contact resistance: 30mΩ Max
 - . Insulation resistance: 1000MΩ Min
 - . Withstanding voltage: 1000V,AC 1 minute
 - . Temperature range: -25 ~ +85°C
 - . Recommend PC board thickness:1.6mm

Female Housing



N=No. of contacts

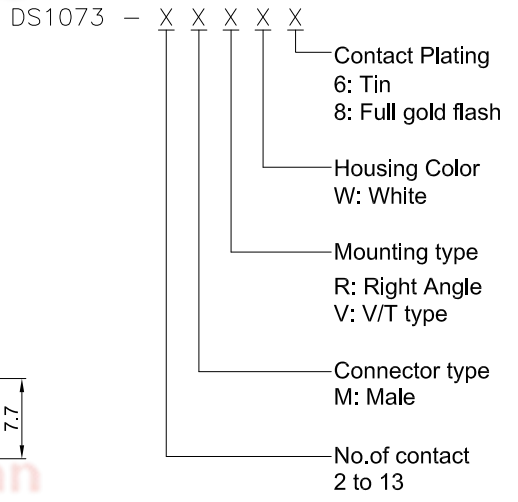


Female Terminal

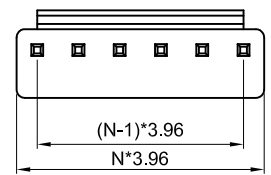
Wire Range		O.D of Wire
Section area mm ²	AWG#	mm
0.33~0.83	22~18	1.7~3.0

I-DS1073-S C W 0 X
 No. of contact
 02~13

2. PRODUCT NUMBER CODE:

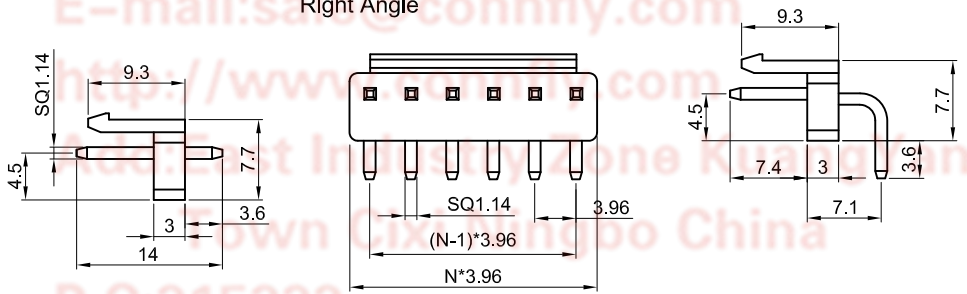


V/T Type



N=No. of contacts

Right Angle



GENERAL TOLERANCE		ANGLE TOLERANCE	
X.	±0.60	X.	±5°
.X	±0.38	.X	±3°
.XX	±0.25	.XX	±2°

PROJECTION	TITLE
	P.C.B CONNECTOR 3.96mm VH
UNITS	mm
SHEET SIZE	A4
SERIES	DS1073 SERIES

DRAWING TYPE	CUSTOMER
SCALE	1:1 SHEET 1 OF 1
DRAWING NO.	C-DS1073-XXXXX-E

晨翔电子有限公司
CONNFLY CONNELY ELECTRONIC CO. LTD

1 2 3 4 5 6 7 8