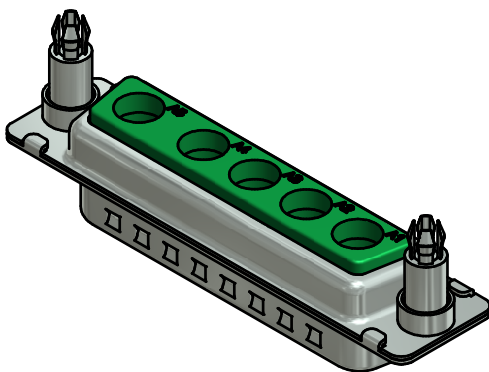
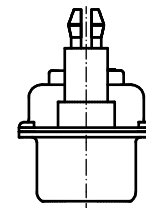
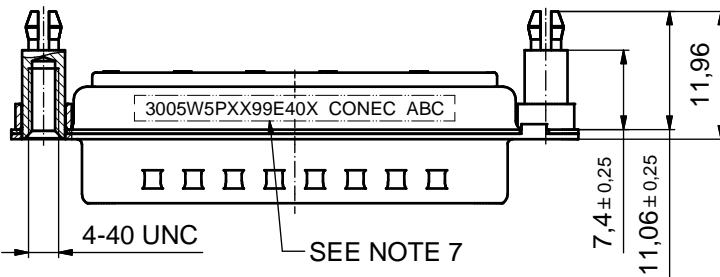
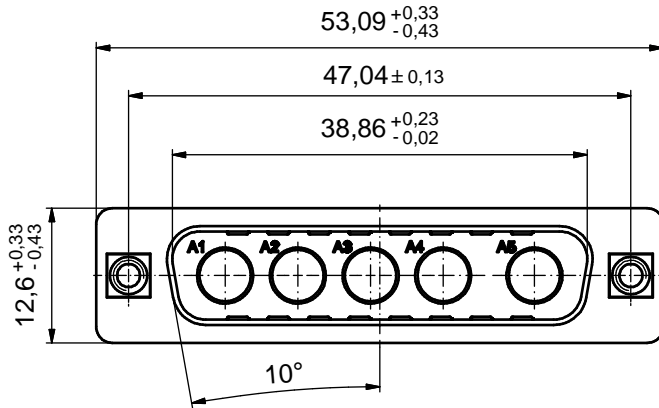
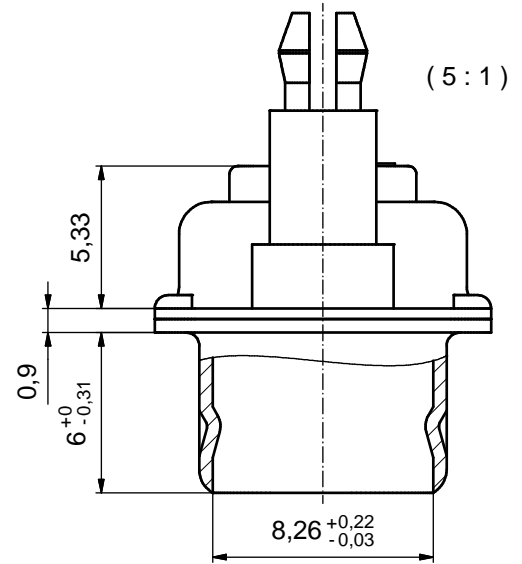


P.C.B. HOLE DRILLINGS  
(P.C.B. TOP SIDE)



NOTES:

- METALSHELLS: STEEL; min. 315µm TIN over 40-80µm NICKEL
- INSULATOR: PBT GF; UL 94 V-0; GREEN
- NO CONTACTS ON POS A1 - A5
- THREADED SPACER CLIPS: COPPER ALLOY; min. 200µm TIN over 80µm NICKEL  
PCB-HOLE:  $\varnothing 3.1 \pm 0.1$ ; PCB THICKNESS 2.3mm
- COLLARS: COPPER ALLOY; min. 200µm TIN over 80µm NICKEL
- MAXIMUM TORQUE VALUE FOR THREAD: 6 in.LB
- CONNECTOR IS PART MARKED: 3005W5PXX99E40X CONEC ABC

Directive 2002/95/EC RoHS compliant

THIS DRAWING MAY NOT BE COPIED OR REPRODUCED IN ANY WAY, AND MAY NOT BE PASSED ON TO A THIRD PARTY WITHOUT WRITTEN PERMISSION. OWNERSHIP AND COPYRIGHT OF CONEC GmbH DO NOT ALTER CAD DRAWING BY HAND				tolerance	dim. in mm	scale: 2:1 (5:1)	
				date		name	material: SEE NOTES
				drawn	20.06.14	Lehmenkühler	title: <b>D-SUB COMBINATION MALE</b> 5W5P with threaded spacer clip
				appd.	23.06.14	Schmidt	
				norm			
				d-old			
				a	Original	dwg no: 13K1A4695	
			rev.	description	date	name	DIN-A3 sh: 1
			<b>CONEC</b> ®			part no: 3005W5PXX99E40X	

# Mouser Electronics

Authorized Distributor

Click to View Pricing, Inventory, Delivery & Lifecycle Information:

[CONEC:](#)

[3005W5SXX99E40X](#)