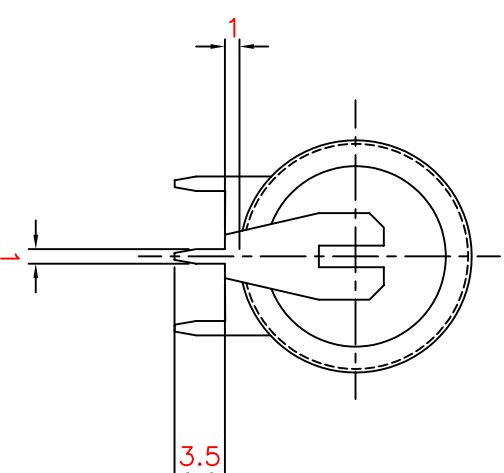
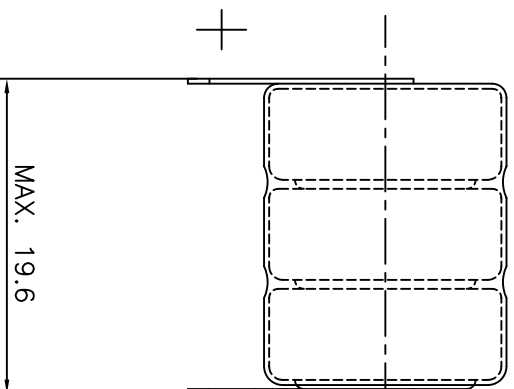
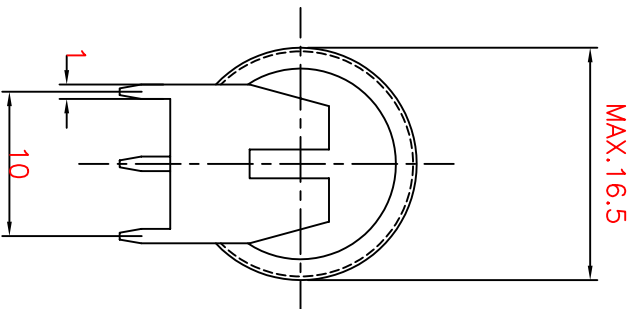




REVISIONS

LTR	DESCRIPTION	SIGNATURE AND DATE
		DWN    CHK    AUTH



REMARKS:  
 1.) BATTERY TO BE COVERED  
 BY SHRINKAGE SLEEVE

NOTICE:  
 1.DO NOT SCALE THIS DRAWING \* TOLERANCE REQUEST:  
 2.REMOVE ALL SHARP EDGES  
 UNLESS OTHERWISE SPECIFIED)

DIMENSIONS ARE IN mm AND  
 INCLUDE PLATED FINISHES  
 NO DEC:PT. ±0.50  
 1 DEC:PT. ± 0.10  
 2 DEC:PT. ± 0.05

SIGNATURE

DRAWN	C W YAU	DATE	18-11-99
CHKD	PASO TSANG	DATE	18-11-99
APPD	LEO MA	DATE	18-11-99

MODEL NO.: GP80BVH3A3H

Division : RBD	NOMINAL VOLTAGE: 3.6V
CELL TYPE: NiMH	CAPACITY: 80mAh
Page 1 of 1	SCALE: none

GP Batteries

TITLE: GP80BVH STACK UP BATTERY
DWG NO. : RPD7126
REV. NO.: 0