

1

2

3

4

5

6

A

A

B

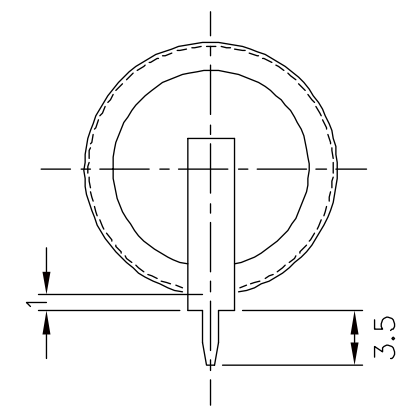
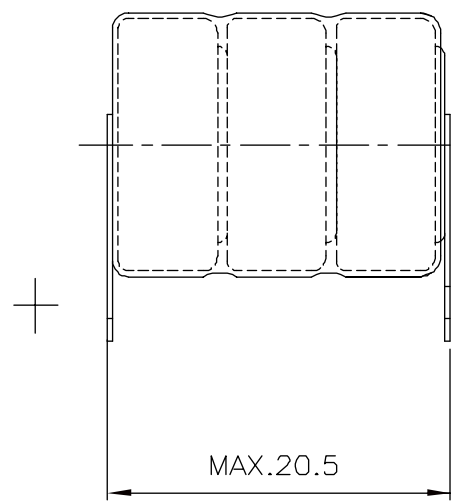
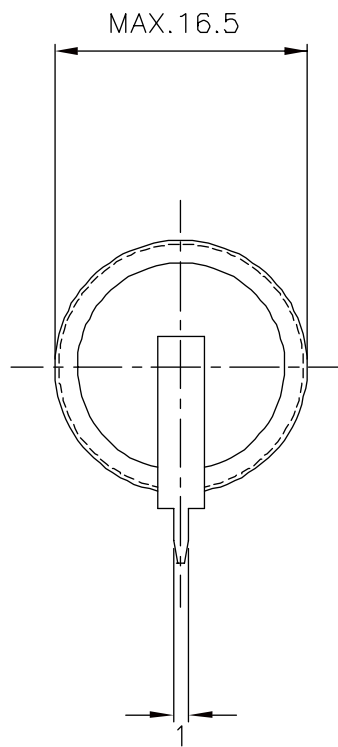
B

C

C

D

D



TO:IRENE WONG

**NOTICE:**  
 1.DO NOT SCALE THIS DRAWING  
 2.REMOVE ALL SHARP EDGE  
 UNLESS OTHERWISE SPECIFIED

**DIMENSIONS ARE IN mm  
 AND INCLUDE PLATED  
 FINISHES**  
 \* TOLERANCE REQUEST:  
 NO DEC.PT. ± 0.50  
 1 DEC.PT. ± 0.10  
 2 DEC.PT. ± 0.05

SIGNATURE		DATE
DRAWN		18-05-04
CHKD		18-05-04
APPD		18-05-04

MODEL NO.: GP80BVH3A2H	
NOMINAL VOLTAGE: 3.6V	
CELL TYPE: NiMH	CAPACITY: 80mAh

SYLVA INDUSTRIES LTD. (RBD)		
TITLE: GP80BVH STACK UP BATTERY		
DWG NO.: TPD7549	REV: 1	SCALE: none