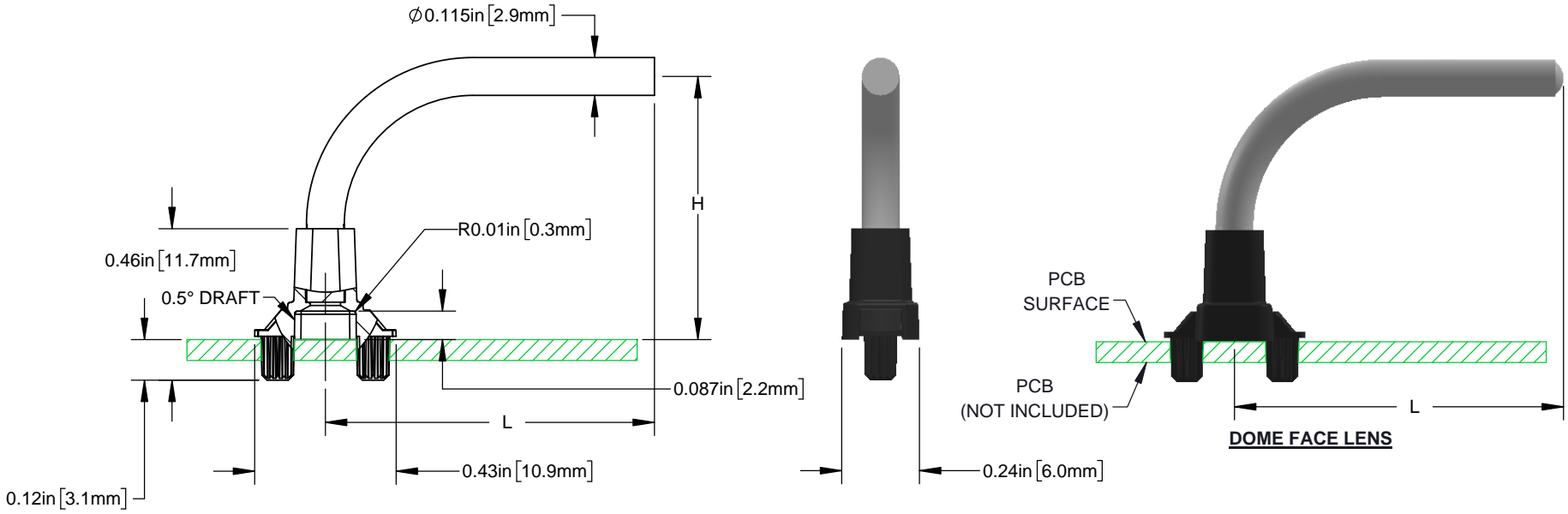
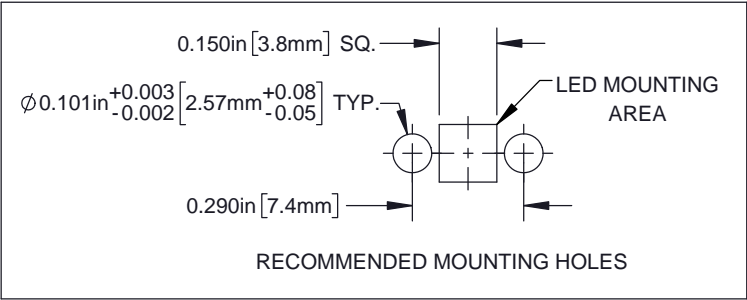
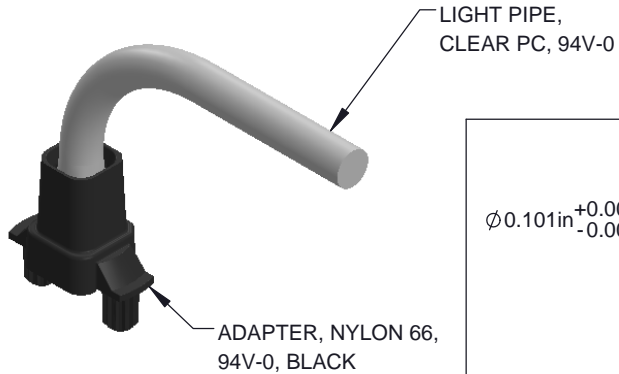
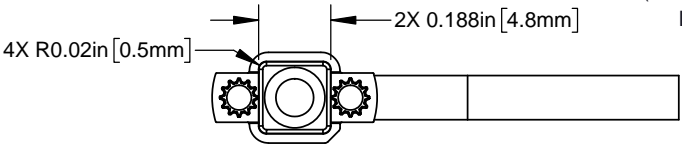


| REVISIONS | | | |
|-----------|---------------------|-----------|----------|
| REV. | DESCRIPTION | DATE | APPROVED |
| B | Engineering Release | 3/16/2018 | M.C. |

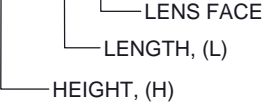


FLAT FACE LENS

DIMENSIONS ARE APPLICABLE TO BOTH LENS FACES UNLESS OTHERWISE NOTED



PART NUMBER CONFIGURATION
(SEE PAGE 2, TABLES A & B)
LPR3-XXXX-XXXXXP



| | | | |
|---|-------------------|--|-----------------------|
| STANDARD TOLERANCE (UNLESS OTHERWISE SPECIFIED) | | 4 THOMAS, IRVINE, CA. 92618 TEL: (949) 951-8808 FAX: (949) 951-3974 | |
| DECIMALS | ANGULAR | | |
| .X ± .1 | X° ± 1° | | |
| .XX ± .01 | | TITLE: BIVAR LIGHT PIPE SYSTEM, RIGHT ANGLE, 3MM, SINGLE STATION | REVISION: B |
| .XXX ± .005 | | | |
| DESIGNED: K. BARON | DATE: 03/16/18 | PART NO: LPR3-XXXX-XXXXXP | |
| REVISED: N/A | DATE: N/A | CAGE CODE: 32559 | |
| CHECKED: TD. NGUYEN | DATE: 03/16/18 | SCALE: 2:1 | SHEET # 1 OF 2 |

| REVISIONS | | | |
|-----------|-------------|------|----------|
| REV. | DESCRIPTION | DATE | APPROVED |
| | See Sheet 1 | | |

STANDARD ORDERING INFORMATION

| TABLE A - FLAT FACE LENS | | |
|--------------------------|----------------|----------------|
| PART NO. | H ±.01 | L ±.01 |
| LPR3-0800-0700FP | 0.800 [20.3mm] | 0.700 [17.8mm] |
| LPR3-0800-1000FP | | 1.000 [25.4mm] |
| LPR3-0800-1500FP | | 1.500 [38.1mm] |
| LPR3-0800-2000FP | | 2.000 [50.8mm] |
| LPR3-0800-2500FP | | 2.500 [63.5mm] |
| LPR3-0800-3000FP | | 3.000 [76.2mm] |
| LPR3-1000-0700FP | 1.000 [25.4mm] | 0.700 [17.8mm] |
| LPR3-1000-1000FP | | 1.000 [25.4mm] |
| LPR3-1000-1500FP | | 1.500 [38.1mm] |
| LPR3-1000-2000FP | | 2.000 [50.8mm] |
| LPR3-1000-2500FP | | 2.500 [63.5mm] |
| LPR3-1000-3000FP | | 3.000 [76.2mm] |
| LPR3-1250-0700FP | 1.250 [31.8mm] | 0.700 [17.8mm] |
| LPR3-1250-1000FP | | 1.000 [25.4mm] |
| LPR3-1250-1500FP | | 1.500 [38.1mm] |
| LPR3-1250-2000FP | | 2.000 [50.8mm] |
| LPR3-1250-2500FP | | 2.500 [63.5mm] |
| LPR3-1250-3000FP | | 3.000 [76.2mm] |

| TABLE B - DOME FACE LENS | | |
|--------------------------|----------------|----------------|
| PART NO. | H ±.01 | L ±.01 |
| LPR3-0800-0700DP | 0.800 [20.3mm] | 0.700 [17.8mm] |
| LPR3-0800-1000DP | | 1.000 [25.4mm] |
| LPR3-0800-1500DP | | 1.500 [38.1mm] |
| LPR3-0800-2000DP | | 2.000 [50.8mm] |
| LPR3-0800-2500DP | | 2.500 [63.5mm] |
| LPR3-0800-3000DP | | 3.000 [76.2mm] |
| LPR3-1000-0700DP | 1.000 [25.4mm] | 0.700 [17.8mm] |
| LPR3-1000-1000DP | | 1.000 [25.4mm] |
| LPR3-1000-1500DP | | 1.500 [38.1mm] |
| LPR3-1000-2000DP | | 2.000 [50.8mm] |
| LPR3-1000-2500DP | | 2.500 [63.5mm] |
| LPR3-1000-3000DP | | 3.000 [76.2mm] |
| LPR3-1250-0700DP | 1.250 [31.8mm] | 0.700 [17.8mm] |
| LPR3-1250-1000DP | | 1.000 [25.4mm] |
| LPR3-1250-1500DP | | 1.500 [38.1mm] |
| LPR3-1250-2000DP | | 2.000 [50.8mm] |
| LPR3-1250-2500DP | | 2.500 [63.5mm] |
| LPR3-1250-3000DP | | 3.000 [76.2mm] |

| | | |
|--|----------------|-----------------------|
| BIVAR[®] | | |
| PART NO: LPR3-XXXX-XXXXXP | | REVISION: B |
| SCALE: N/A | SHEET # 2 OF 2 | |
| CAD GENERATED DOCUMENT, DO NOT MEASURE DRAWING | | |

Mouser Electronics

Authorized Distributor

Click to View Pricing, Inventory, Delivery & Lifecycle Information:

BIVAR:

[LPR3-1250-1500DP](#) [LPR3-1250-0700FP](#) [LPR3-0800-1000DP](#) [LPR3-1000-2000FP](#) [LPR3-0800-2500DP](#) [LPR3-0800-1500FP](#) [LPR3-0800-2000DP](#) [LPR3-1250-2000FP](#) [LPR3-1000-0700DP](#) [LPR3-1250-2000DP](#) [LPR3-1250-1000FP](#) [LPR3-1000-0700FP](#) [LPR3-0800-1500DP](#) [LPR3-0800-2000FP](#) [LPR3-1000-2000DP](#) [LPR3-0800-3000DP](#) [LPR3-1000-2500DP](#) [LPR3-1250-0700DP](#) [LPR3-0800-0700FP](#) [LPR3-1250-1500FP](#) [LPR3-0800-2500FP](#) [LPR3-1250-2500DP](#) [LPR3-1000-1000DP](#) [LPR3-1250-1000DP](#) [LPR3-1000-3000DP](#) [LPR3-1250-3000FP](#) [LPR3-0800-3000FP](#) [LPR3-1000-1000FP](#) [LPR3-1000-2500FP](#) [LPR3-1250-3000DP](#) [LPR3-1250-2500FP](#) [LPR3-0800-1000FP](#) [LPR3-1000-1500DP](#) [LPR3-1000-3000FP](#) [LPR3-0800-0700DP](#) [LPR3-1000-1500FP](#)