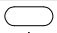



LEGEND
 = CRITICAL INSPECTION DIMENSIONS.
 = KEY PRODUCT CHARACTERISTICS

REVISION HISTORY						
REV	ZONE	DESCRIPTION	BY	APPR	DATE	ECN
1		ISSUE FOR PRODUCTION	T.N	P.M	10/10/16	9381
2		CHANGE TEXT ORIENTATION, OMIT LEADING ZEROS	T.N	P.M	11/10/16	9383



PART NUMBER BREAKDOWN

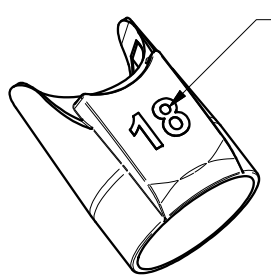
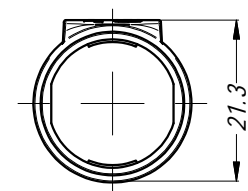
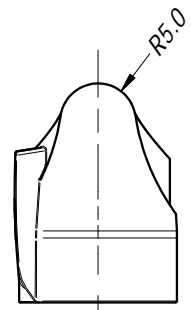
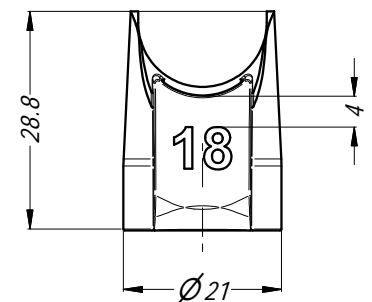
AX - MARK X - XXX

PART DESIGNATION

PRINT NUMBER:
 FROM 1 TO 48 (OMIT LEADING ZEROS)
 BLANK: NO PRINTING

COLOR CODE

- 0: BLACK
- 1: BROWN
- 2: RED
- 3: ORANGE
- 4: YELLOW
- 5: GREEN
- 6: BLUE
- 7: VIOLET
- 8: GREY
- 9: WHITE



EXAMPLE OF PRINT

- NOTES:**
- SLEEVE P/No. 52520024-53x TO BE USED FOR ID PRINTING TO PRODUCE P/No. AX-MARKX-XXX. REFER TO DWG 52520024-530
 - PRINT COLOR TO BE BLACK FOR WHITE SLEEVE AND WHITE FOR ALL OF THE REST. TEXT FONT TO BE ARIAL BOLD 5.5mm HIGH.
 - NUMBER 6 AND 9 TO BE UNDERLINED.

UNLESS OTHERWISE SPECIFIED TOLERANCE TO BE		THIS DOCUMENT IS THE PROPERTY OF AMPHENOL AUSTRALIA PTY. LTD. NO PART THEREOF MAY BE REPRODUCED AND USED WITHOUT THE PRIOR WRITTEN CONSENT OF THE OWNER.				Amphenol Amphenol Australia Pty.Ltd, 22 Industry Blvd Carrum Downs, VIC 3201	
LINEAR	ANGULAR	MATERIAL:	DRN: T.N	DATE: 14/07/16	TITLE:	PART No:	REV
X ± 0.5	X' ± 1		CKD: P.M	DATE: 14/07/16	ID MARKED SLEEVE AX SERIES	AX-MARKX-XXX	2
X.X ± 0.1	X.X' ± 30'	FINISH:	APP'D: P.M	DATE: 14/07/16			
X.XX ± 0.05	X.XX' ± 15'		SCALE: 1:1	SIZE: A4	52520027-000-2	1/2	
BREAK ALL SHARP EDGES AND REMOVE ALL BURRS		THIRD ANGLE PROJECTION					
DO NOT SCALE							
DIMENSIONS IN MILLIMETRES							