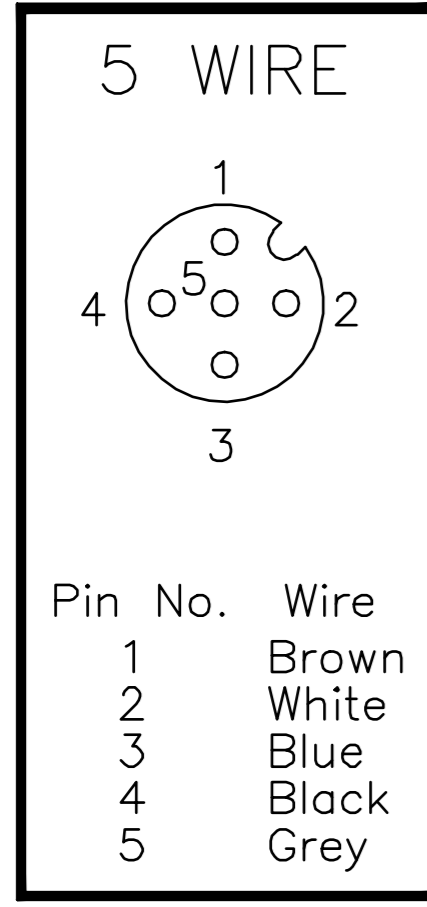
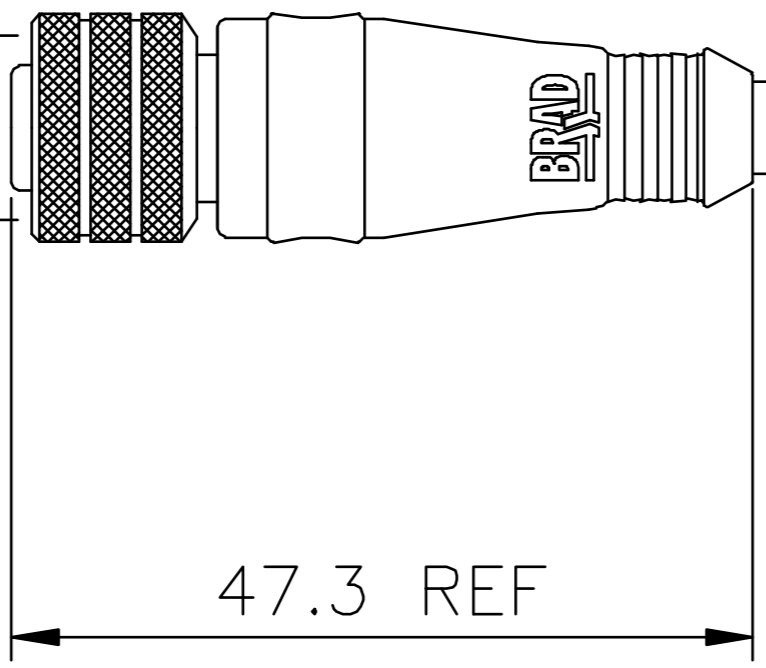


FACE VIEW

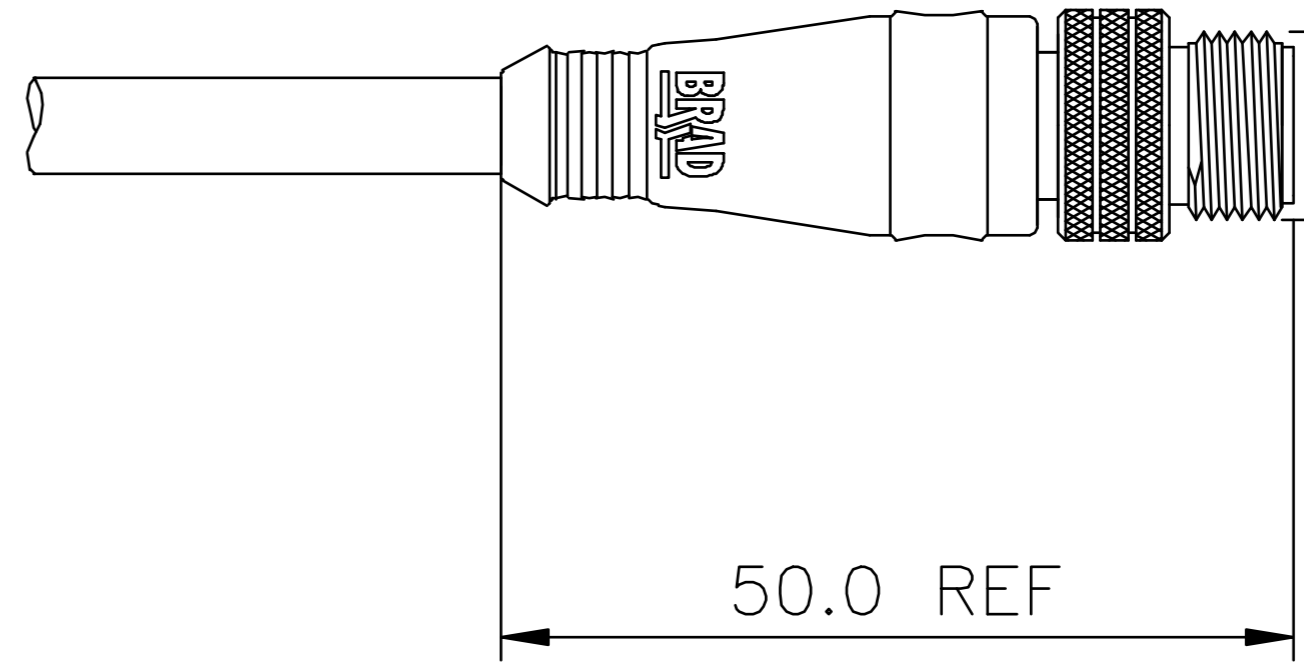


M12X1



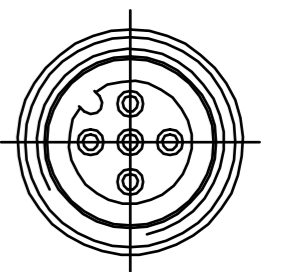
47.3 REF

XXX METRES

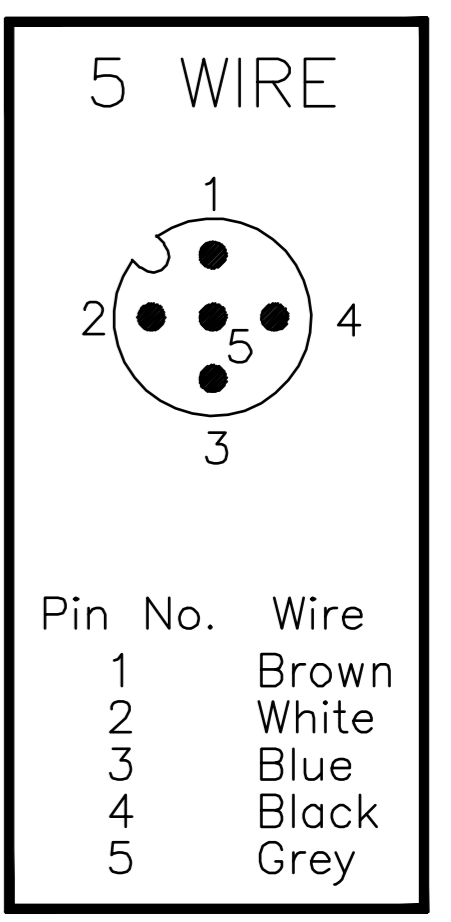


50.0 REF

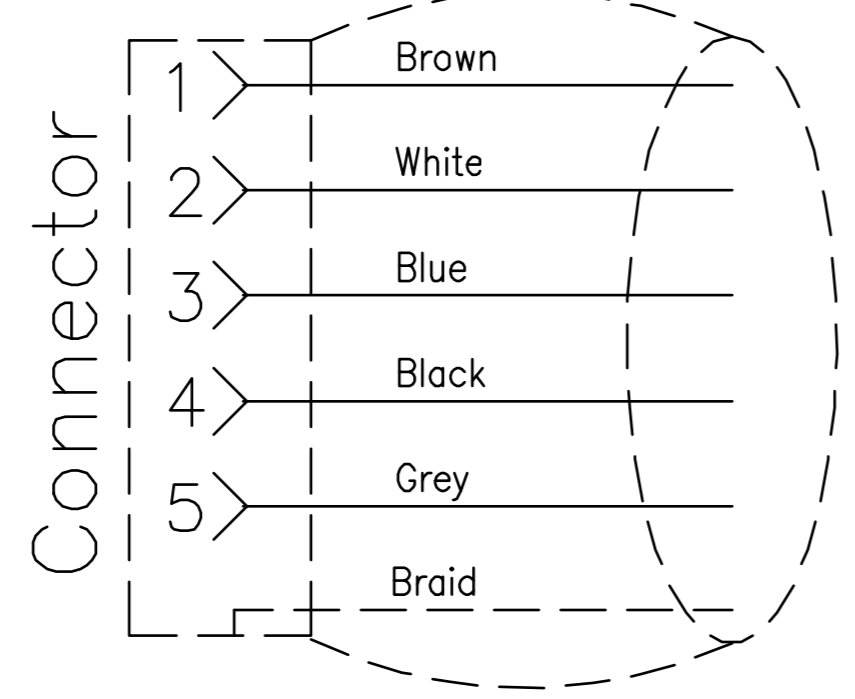
M12X1



FACE VIEW



Electrical Schematic

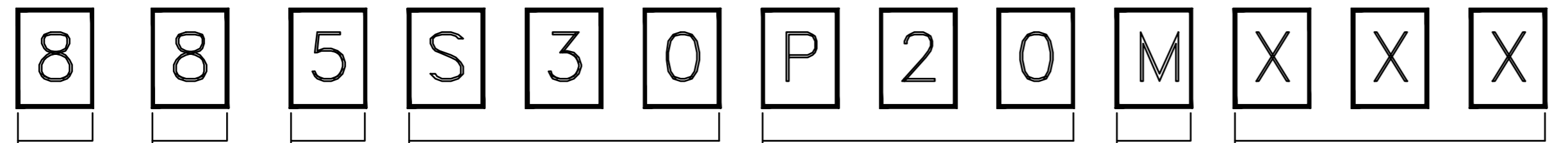


360° Shielded  
Braid connection thro'  
to Coupling Nut

Specification.

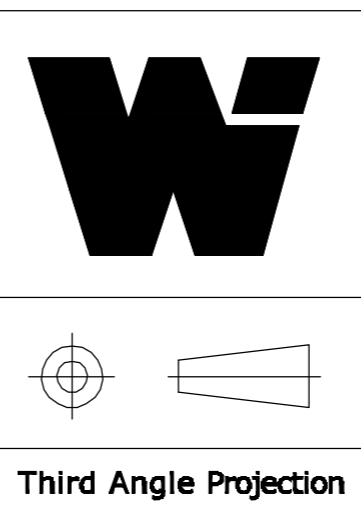
Insert Material – PUR (30% Glass Filled)  
 Contact Material – Brass (CuZn36)  
 Contact Plating – 2um Ni, 0.70um Gold  
 Coupling Nuts – Brass, Bright Nickel Plate  
 Shield Sleeves–Brass, Bright Nickel Plate  
 Seal – Viton O–Ring  
 Protection Class – IP68  
 Voltage Rating – 300V  
 Contact Current Rating – 4 Amps  
 Overmoulding – PUR (Yellow)  
 Cable–PUR, Black, 5 x 0.34mm Braided

PART No MATRIX



8=Micro Change    8=Micro Change    5=5 Core    S30 = Female straight to Male straight 360°Shielded Assembly    P20 = PUR,0.34mm 80% Braided    M=Metres F=Feet    LENGTH 020=2 METRES 050=5 METRES 200=20 METRES

| N/A | A   | NW | First Issue  | 08.10.07 | NW       |
|-----|-----|----|--------------|----------|----------|
| ECN | Rev | By | Descriptions | Date     | Approved |
|     |     |    |              |          |          |
|     |     |    |              |          |          |
|     |     |    |              |          |          |



|                                                                                                                                                                                                                                                                           |                   |                                                                         |
|---------------------------------------------------------------------------------------------------------------------------------------------------------------------------------------------------------------------------------------------------------------------------|-------------------|-------------------------------------------------------------------------|
| This drawing and its contents are the proprietary and confidential property of Woodhead Industries Inc. and/or its subsidiaries and may not be used or disclosed to others without the express prior written consent of Woodhead Industries Inc. and/or its subsidiaries. |                   |                                                                         |
| Applicable Standards ASME Y14.5M ISO 1660                                                                                                                                                                                                                                 |                   |                                                                         |
| Drawn                                                                                                                                                                                                                                                                     | NAME              | DATE                                                                    |
| Checked                                                                                                                                                                                                                                                                   | N.WITTS           | 08.10.07                                                                |
| Approved                                                                                                                                                                                                                                                                  | N.WITTS           | 08.10.07                                                                |
| Material                                                                                                                                                                                                                                                                  | SEE SPECIFICATION | Dimensions In MM 0.0 ± 0.25mm 0.00 ± 0.10mm 0.000 ± 0.025mm Angles ± 1° |
| Finish                                                                                                                                                                                                                                                                    | SEE SPECIFICATION |                                                                         |

|             |                                                       |              |    |
|-------------|-------------------------------------------------------|--------------|----|
| Part No.    | 885S30P20MXXX                                         | Size         | A4 |
| Description | M12-5P(SHIELD)-FE/MM ST/ST-X METRES PUR BRAIDED CABLE |              |    |
| Drawing No. | 885S30P20MXXX                                         | Rev          | A  |
| Scale       | NTS                                                   | SHEET 1 OF 1 |    |