

# SPECIFICATIONS

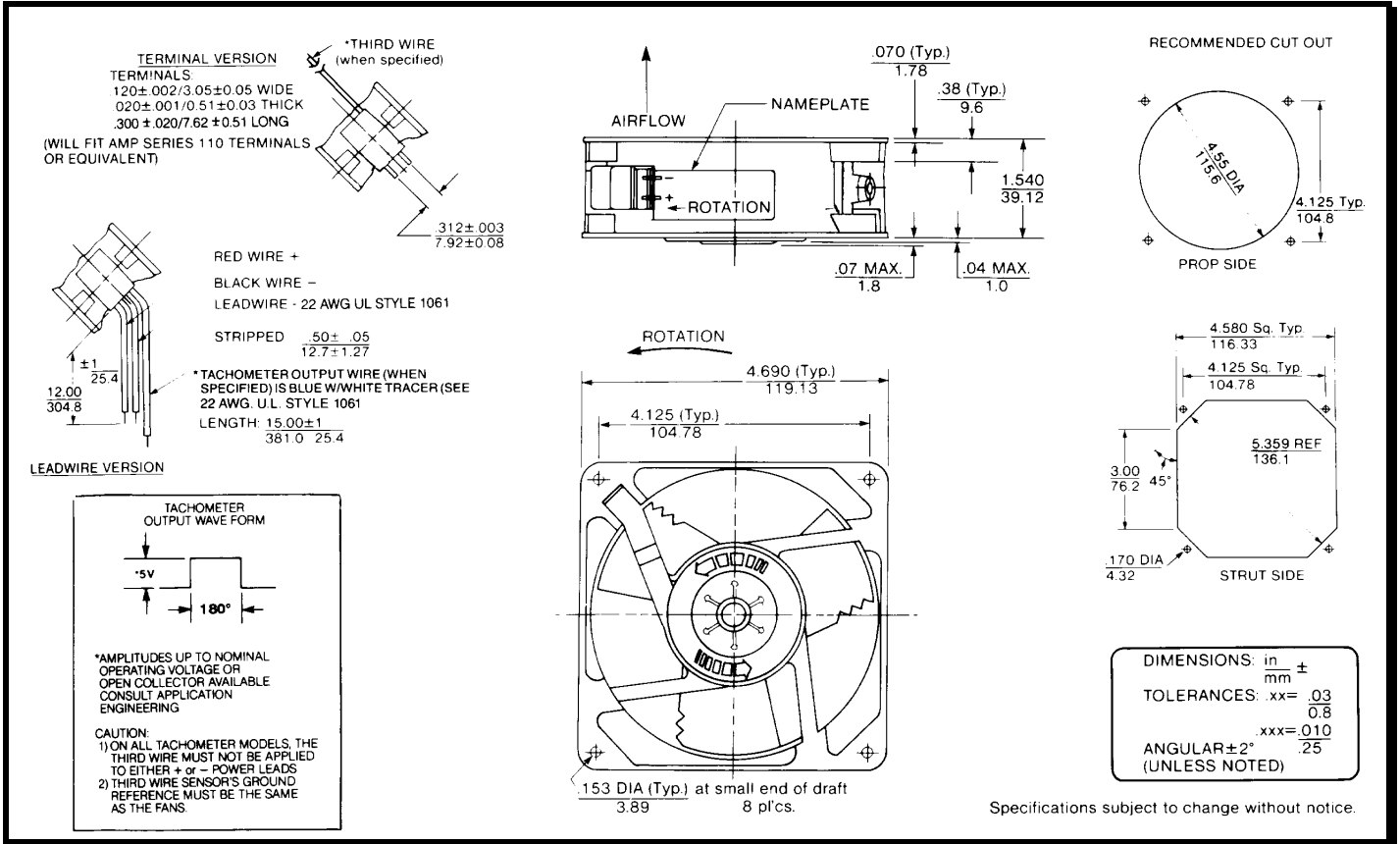
(RoHS Compliant)



**Model Number:** MD24B2  
**Part Number:** 19028869A

Apr. 01, 2016

## Mechanical Drawing:



### Motor:

Nominal Voltage = 24 vdc  
 Operating Voltage Range = 12 - 28 vdc  
 Running Current = 0.250 amps  
 Locked Rotor Current = 0.750 amps  
 Running Power = 6.0 watts  
 Average Speed = 3100 rpm  
 Bearings = Ball  
 Air Flow = 110 CFM  
 Acoustic = 50 dBA

### Construction:

Venturi: Die-Cast Zinc Alloy, Black  
 Propeller: Plastic, Black, UL 94V-0

### Life Expectancy:

This fan is designed for continuous duty life of 85,000 hours at 40°C.

### Additional Features:

Brushless DC Motor  
 Locked Rotor Protection  
 Polarity Protected  
 Automatic Restart Capability  
 Operating Temperature: -10°C to 70°C  
 Storage Temperature: -40°C to 85°C

### Termination:

2 0.110" Terminals

### Agency Approvals:

UL, CE