

IE-CD-MA**Weidmüller Interface GmbH & Co. KG**

Klingenbergstraße 26

D-32758 Detmold

Germany

www.weidmueller.com



Dimensioned drawing 1

At Weidmüller you can get everything you need from one source - including accessories for Industrial Ethernet.

The benefits for you:

- tools
- testing instruments
- cable bushings
- cabinet connections
- markers
- dust protection
- power packs
- overvoltage protection

General ordering data

Version	Mounting foot, FreeCon, IP65
Order No.	1099580000
Type	IE-CD-MA
GTIN (EAN)	4032248874040
Qty.	10 pc(s).

IE-CD-MA**Weidmüller Interface GmbH & Co. KG**

Klingenbergstraße 26

D-32758 Detmold

Germany

www.weidmueller.com

Technical data**Dimensions and weights**

Height	10 mm	Height (inches)	0.394 inch
Width	35 mm	Width (inches)	1.378 inch
Length	112 mm	Length (inches)	4.409 inch
Net weight	42.9 g		

Temperatures

Operating temperature	-40 °C...70 °C
-----------------------	----------------

General standards

Certificate no. (cULus)	E316369
-------------------------	---------

Classifications

ETIM 6.0	EC002625	ETIM 7.0	EC002625
ETIM 8.0	EC002625	ECLASS 9.0	27-18-28-07
ECLASS 9.1	27-18-92-34	ECLASS 10.0	27-18-28-07
ECLASS 11.0	27-18-28-07	ECLASS 12.0	27-18-28-07

Approvals

Approvals



ROHS	Conform
UL File Number Search	UL Website
Certificate no. (cULus)	E316369

Downloads

Engineering Data	CAD data – STEP
Engineering Data	WSCAD, EPLAN
User Documentation	MAN IE GUIDE DE MAN IE GUIDE EN
Catalogues	Catalogues in PDF-format
Brochures	MB FREECONTACT EN FL FIELDWIRING EN PI PROFINET CABLING EN PI PROFINET CABLING EN

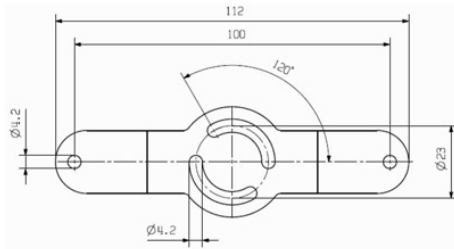
IE-CD-MA

Weidmüller Interface GmbH & Co. KG
Klingenbergstraße 26
D-32758 Detmold
Germany

www.weidmueller.com

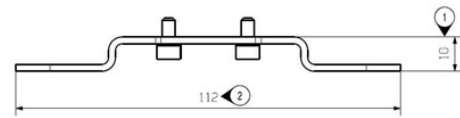
Drawings

Drawing



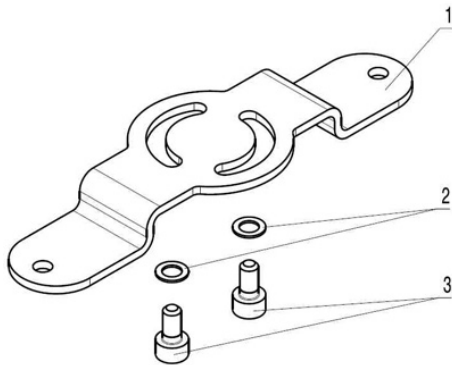
Dimensioned drawing

Drawing



Installation drawing

Drawing



Mouser Electronics

Authorized Distributor

Click to View Pricing, Inventory, Delivery & Lifecycle Information:

[Weidmuller:](#)

[1099580000](#)