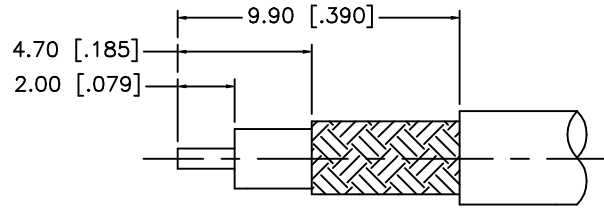
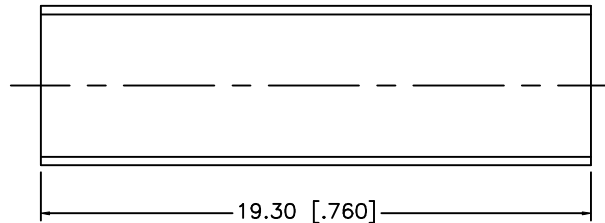
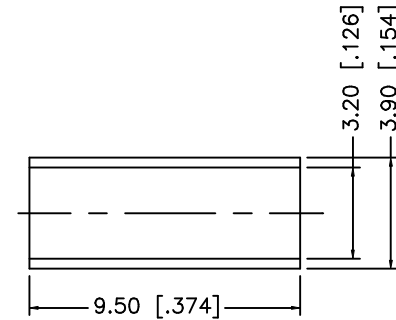
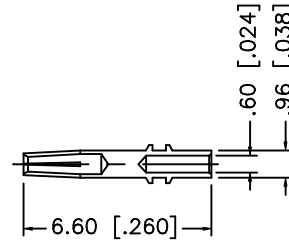
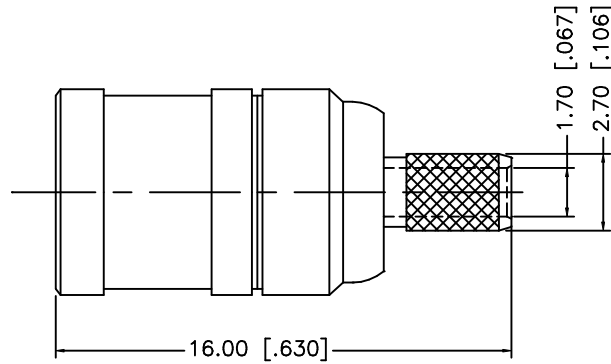


REV.	DATE	DESCRIPTION
A	04/31/03	UPDATE DRAWING FORMAT
B	05/08/07	REVISE BARREL , FERRULE DIMENSIONS



RECOMMENDED
CABLE STRIPPING DIM'S



NOTE:

1. CRIMPED FERRULE HEX CRIMP SIZE .128"
2. CONTACT PIN TO SOLDER.

REV.	DATE	DESCRIPTION
8		
7		
6		
5	HEAT SHRINK TUBE	BLACK 1
4	FERRULE	COPPER GOLD 1
3	CONTACT PIN	BER. COPPER GOLD 1
2	INSULATOR	TEFLON NATURAL 1
1	BODY	BRASS GOLD 1
DESCRIPTION		MATERIAL FINISH QTY
UNLESS OTHERWISE SPECIFIED DIMENSIONS ARE IN MILLIMETERS. DIMENSIONS IN [] ARE IN INCHES AND FOR CUSTOMER REFERENCE ONLY.		UNLESS OTHERWISE SPECIFIED TOLERANCES FOR MILLIMETERS ARE: 0.5 - 8mm ± 0.20mm 8 - 30mm ± 0.40mm 30 - 120mm ± 0.50mm
UNLESS OTHERWISE SPECIFIED TOLERANCES FOR INCHES ARE: .020 - .315 = ± 0.007" .315 - 1.180 = ± 0.015" 1.180 - 4.724 = ± 0.020"		DO NOT SCALE DRAWING
APPROVALS		DATE
DRAWN G.R.S.		05/08/07
CHECKED		
ISSUED		
SHEET 1 OF 1		
CAD FILE		C:/142/142186.DWG
PART DESCRIPTION		
SMB CRIMP PLUG (FOR RG-174/U, 188A/U, 316/U)		
PART NO. 142186		
DWG. NO.	142186.DWG	REV. B SIZE A SCALE NA

Amphenol Connex

Mouser Electronics

Authorized Distributor

Click to View Pricing, Inventory, Delivery & Lifecycle Information:

[Amphenol:](#)

[142186](#)