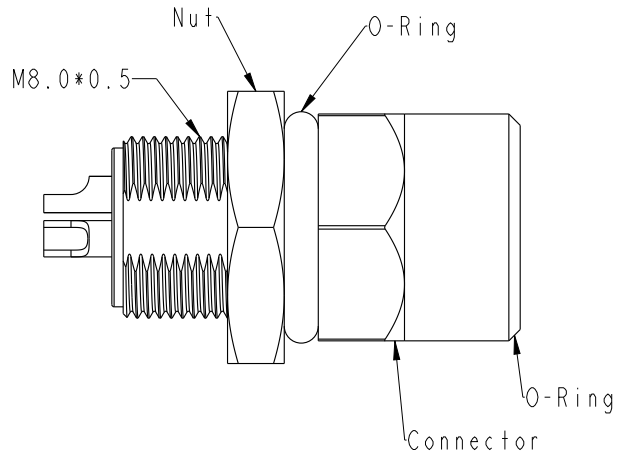
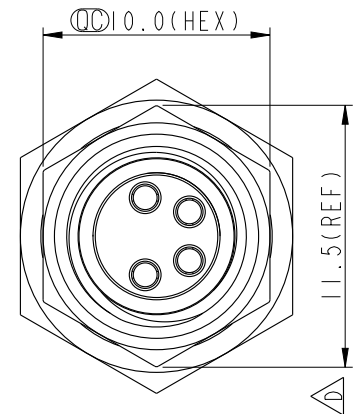
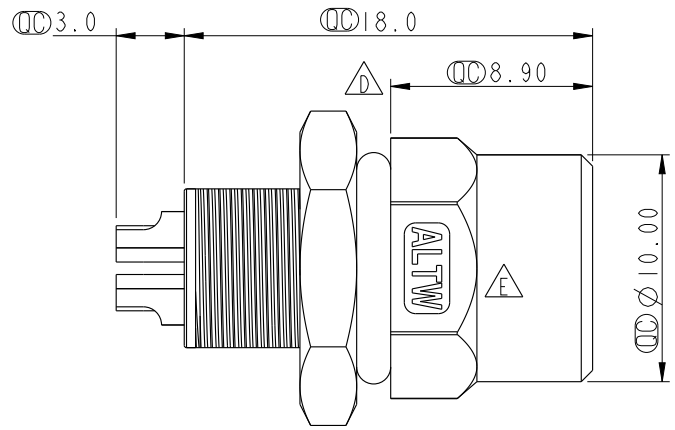
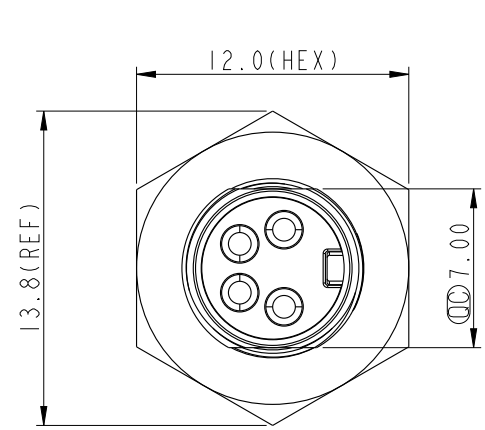
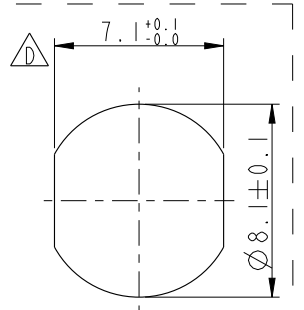
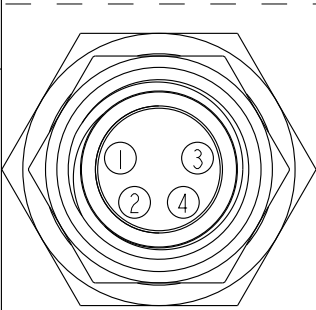


THIS DOCUMENT IS SUBJECT TO CHANGE WITHOUT NOTICE. IT IS CONFIDENTIAL AND A PROPERTY OF AMPHENOL LTW. DISCLOSURE TO THIRD PARTY HAS TO BE AUTHORIZED BY AMPHENOL LTW.

REV.	ECN NO.	DATE	SIGN	DESCRIPTION
C	LEN-7A0169	2007/09/29	Myrdal	Added Note
D	LEN-910184	2009/01/07	Ivan Lin	Change rev. to ECN note
E	C191918	2019/11/04	JC Chen	EXI



- Note:
- \*  $\varnothing$  Important Dimension.
  - \* Waterproof Rate: IP67
  - \* Connector: Black, Nylon+GF
  - \* Female Pin: Copper Alloy, Gold Plated
  - \* Shield: Zinc Alloy, Nickel Plated
  - $\triangle$  \* Nut: Copper Alloy, Nickel Plated
  - \* O-Ring: Black, EPDM
  - $\triangle$  \* O-Ring: Green, VITON
  - \* For Panel Thickness Max 4.5mm
  - $\triangle$  \* Nut Torque: 4-6 kgf.cm



Pin Assignments  
Front View

Recommended  
Panel Cut-Out

UNIT: mm		
TOLERANCE	.X ±0.25	
.XX ±0.1		
.XXX ±0.05		
ANGLES	±1°	

TITLE	$\triangle$ M8 Conn Panel Screw 4P F Conn F Pin		
SCALE	3:1	SIZE	A4
REV.	E	WC-REV.	A.3
		$\varnothing$	Inspection item

**Amphenol LTW**  
安費諾亮泰企業股份有限公司

ITEM NO	8-04PFFS-SH7001	DRAWN BY	Ivan Lin	DATE	2009/01/07
DWG NO	8-04PFFS-SH7001	CHECKED BY	Tommy Hom	DATE	2009/01/07
CUSTOMER	ALTW	APPROVED BY	Luke Chang	DATE	2009/01/07

# Mouser Electronics

Authorized Distributor

Click to View Pricing, Inventory, Delivery & Lifecycle Information:

[Amphenol:](#)

[8-04PFFS-SH7001](#)