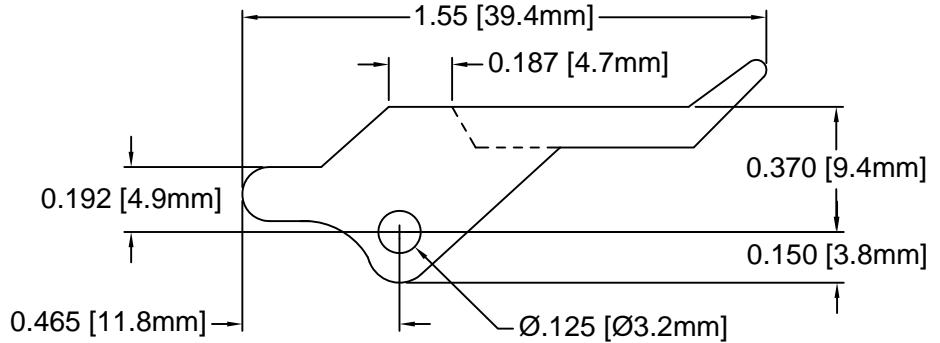
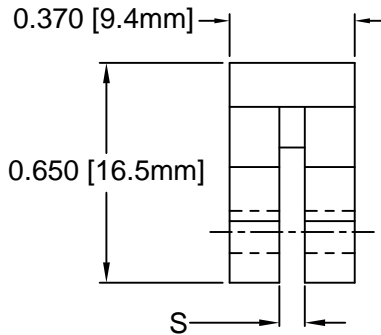
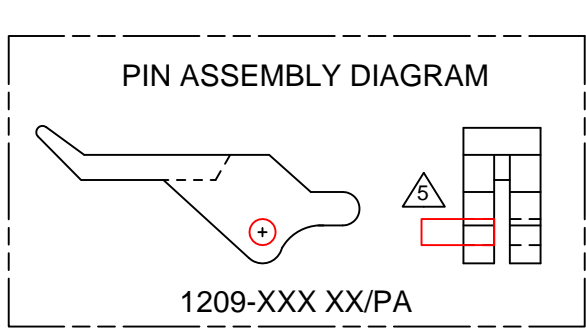
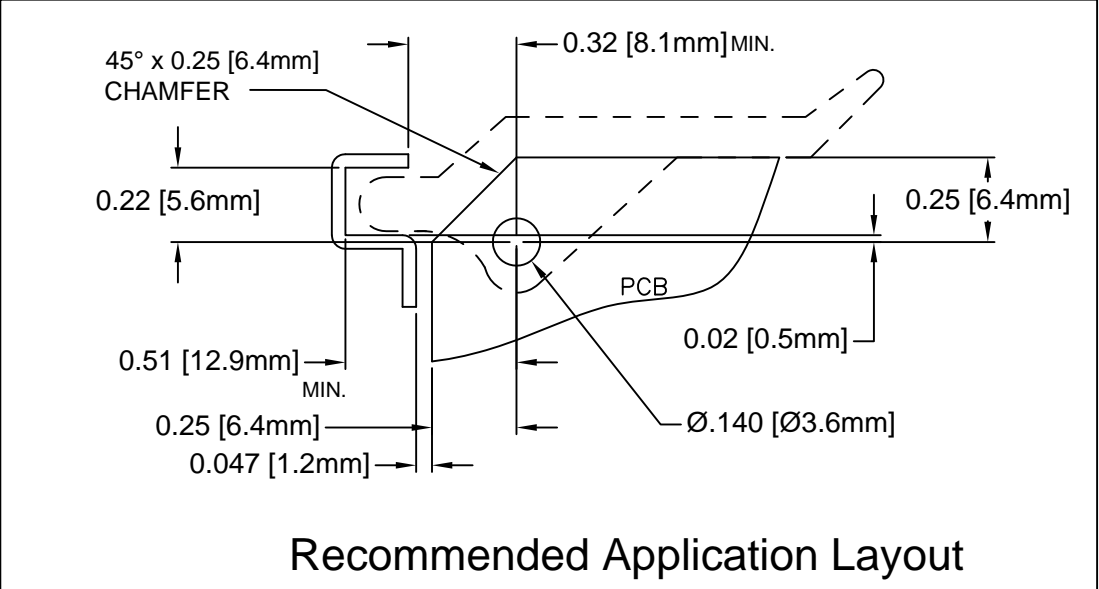


REV.	DESCRIPTION	DATE	APPROVED
D	Added Note 5 Pin Assembly	05/01/08	M. C.
E	Added /PA Diagram	05/14/09	T. Y.
F	Added 1209-093 WE	09/05/12	T. Y.
G	Removed Part From Part Offering List	09/29/15	J. C.
H	Added Note 4, 5, 6 & Color Options Sheet #2	05/16/16	J. C.



PART NO.	COLOR	ROLL PIN	S	PCB THICKNESS
1209-062 NT	NATURAL	RP-375	.075"(1.9mm)	.062"(1.6mm)
1209-062 WE	WHITE	RP-375		
1209-062 XX	SEE S.#2	RP-375		



Recommended Application Layout

5. PRE-ASSEMBLED ROLL PINS AVAILABLE UPON REQUEST. ADD /PA SUFFIX ON P/N. INSERT PIN INTO Ø.125" HOLE.
- ROLL PINS INCLUDED. PACKAGED SEPARATELY.
 - MATERIAL: NYLON 6/6, 94V-0, WHITE.
 - MATERIAL: NYLON 6/6, 94V-2, NATURAL.
 - GENERAL SPECIFICATIONS: BIVAR MOLDED COMPONENT SPECIFICATION BV00-E101.

STANDARD TOLERANCE (UNLESS OTHERWISE SPECIFIED)		 4 THOMAS, IRVINE, CA. 92618 TEL: (949) 951-8808 FAX: (949) 951-3974			
DECIMALS	ANGULAR				
.X ± .1	X° ± 1°	 TITLE: PCB INSERTER/EXTRACTOR, CARD-O-PULL	PART NO: 1209-XXX XX	REVISION: H	
.XX ± .01					
.XXX ± .005		DESIGNED: M. Chen	DATE: 02/24/03	CAGE CODE : 32559	SHEET # 1 OF 2
CHECKED: D. Green		DATE: 02/25/03		CAD GENERATED DOCUMENT. DO NOT MEASURE DRAWING.	

OTHER AVAILABLE COLORS
 * SEE TABLE FOR ORDERING INFORMATION



REV.	DESCRIPTION	DATE	APPROVED
	SEE SHEET #1		

1209-062 --

—
 |
 SERIES

ORDER CODE	COLOR
AA	AQUA
BK	BLACK
BE	BLUE
BN	BROWN
FG	FOREST GREEN
GY	GRAY
GN	GREEN
LE	LIME
OE	ORANGE
PK	PINK
RD	RED
VT	VIOLET
YW	YELLOW

6. PARTS ARE DYED TO COLOR UPON REQUEST.

STANDARD TOLERANCE (UNLESS OTHERWISE SPECIFIED) DECIMALS ANGULAR		 4 THOMAS, IRVINE, CA. 92618 TEL: (949) 951-8808 FAX: (949) 951-3974	
			
DESIGNED: M. Chen	DATE: 02/24/03	TITLE: PCB INSERTER/EXTRACTOR, CARD-O-PULL	REVISION: H
CHECKED: D. Green	DATE: 02/25/03	PART NO: 1209-XXX XX	CAGE CODE : 32559 SHEET # 2 OF 2
CAD GENERATED DOCUMENT. DO NOT MEASURE DRAWING.			

Mouser Electronics

Authorized Distributor

Click to View Pricing, Inventory, Delivery & Lifecycle Information:

BIVAR:

[1209-062 BK](#) [1209-062 NT](#) [1209-093 BK](#) [1209-093 NT](#) [1209-093 WE](#) [1209-125 BK](#) [1209-125 NT](#) [1209-062 BE](#)
[1209-062 VT](#) [1209-062 YW](#) [1209-062 BN](#) [1209-062 GN](#) [1209-062 RD](#) [1209-062 NT/PA1](#) [1209-062 NT/PA](#) [1209-](#)
[062 BK/HS](#) [1209-062 BK/PA](#) [1209-062 BN/HS](#) [1209-062 GY](#) [1209-062 OE](#) [1209-062 OE/HS](#) [1209-062 RD/HS](#)
[1209-062 VT/PA](#)