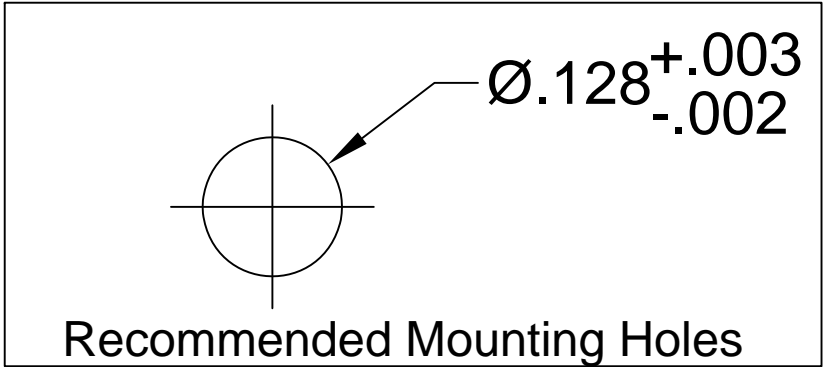
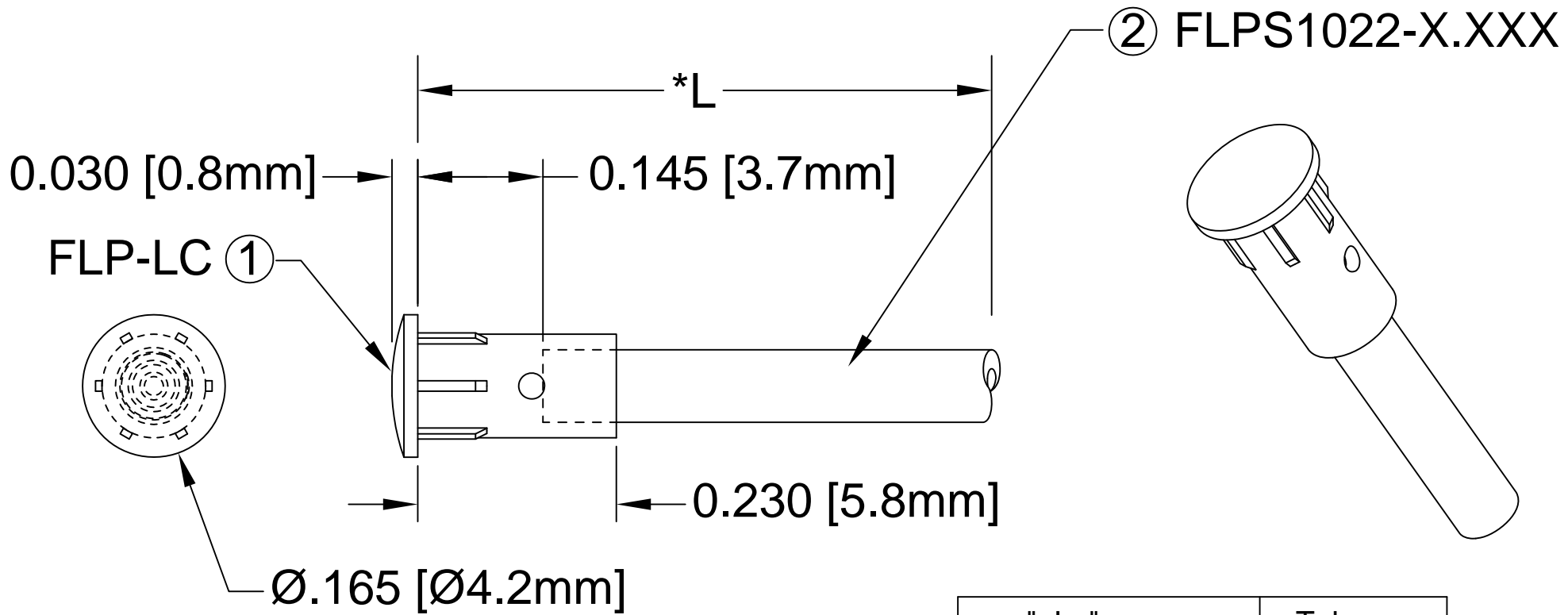


ITEM	Q'TY	PART NUMBER	PART DESCRIPTION
1	1	FLP-LC	HOLDER CAP, FLEXIBLE LIGHT-PIPE
2	1	FLPS1022-X.XXX	LIGHT PIPE CABLE, CUT LENGTH IN INCHES

REV.	DESCRIPTION	DATE	APPROVED
H	FLP Length Update	10/18/05	M. C.
J	FLP Length Clarification	01/11/06	M. C.
K	Corrected "L" Dimension Measurement	07/25/07	M. C.
M	Updated Fiber In BOM	11/14/12	T. Y.
N	Added Note 2	10/06/16	J. C.



" L "	Tolerance
0.750" ~ 16.000"	±0.050"
16.100" ~ 40.000"	±0.150"
40.100" ~ 80.000"	±0.300"
80.100" ~ 3,940.0"	±0.5%

NOTE:  
 1. ALLOWABLE CUT LENGTH IS UP TO 3 DECIMAL PLACES.  
 2. MINIMUM BEND RADIUS OF FLEXIBLE LIGHT PIPE: 0.87" [22mm].

STANDARD TOLERANCE (UNLESS OTHERWISE SPECIFIED)		 4 THOMAS, IRVINE, CA. 92618 TEL: (949) 951-8808 FAX: (949) 951-3974	
DECIMALS	ANGULAR		
.X ±.1	X° ±1°		TITLE: LENS CAP / FLP ASSEMBLY, 4mm ROUND
.XX ±.02			PART NO: LC-XX.X
.XXX ±.010		DESIGNED: S. Irving	REVISION: N
		CHECKED: M. Chen	
		DATE: 05/22/02	
		DATE: 05/22/02	
		CAGE CODE : 32559	SHEET # 1 OF 1
CAD GENERATED DOCUMENT. DO NOT MEASURE DRAWING.			

# Mouser Electronics

Authorized Distributor

Click to View Pricing, Inventory, Delivery & Lifecycle Information:

## BIVAR:

[LC-1.38](#) [LC-1.395](#) [LC-17.0](#) [LC-19.7](#) [LC-19.9](#) [LC-2.1](#) [LC-2.7](#) [LC-2.8](#) [LC-25.5](#) [LC-3.12](#) [LC-3.3](#) [LC-37.0](#) [LC-39.4](#)  
[LC-4.12](#) [LC-4.15](#) [LC-5.25](#) [LC-5.975](#) [LC-6.125](#) [LC-6.7](#)