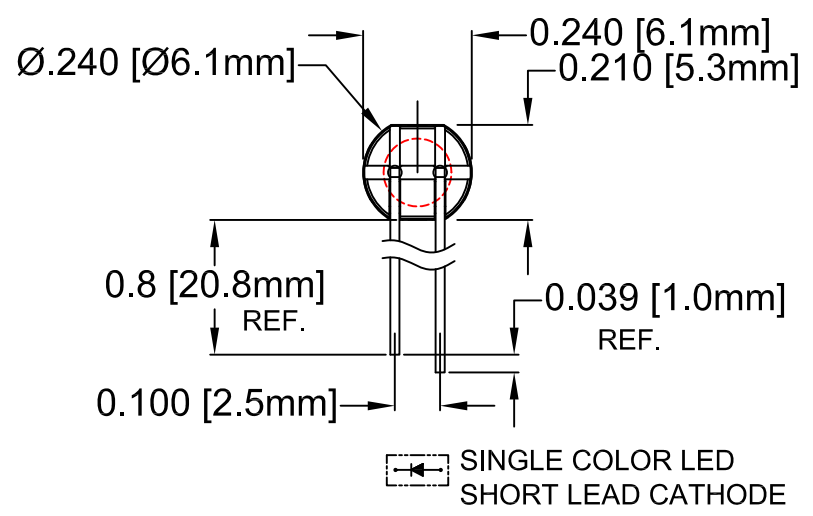
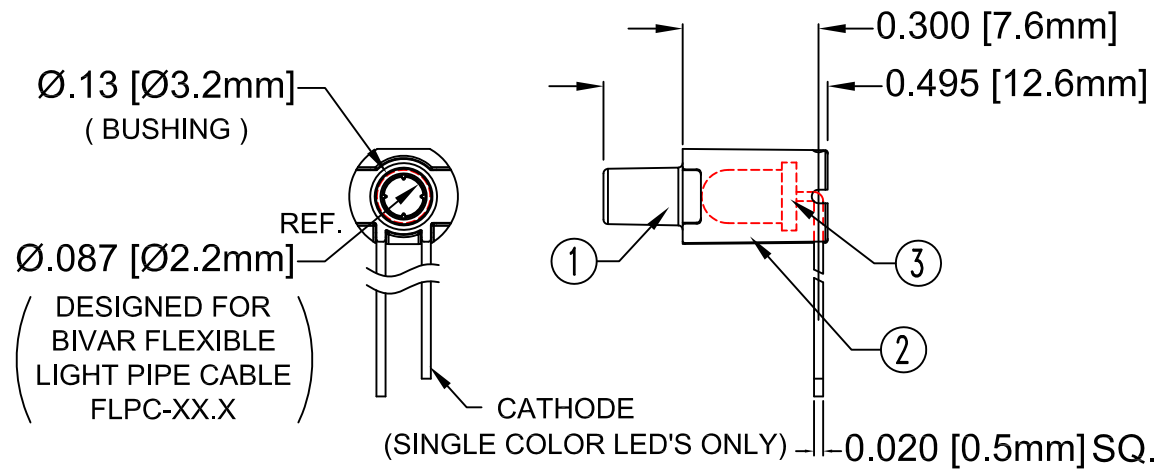
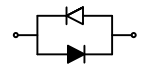


ITEM	Q'TY	PART NUMBER	PART DESCRIPTION
1	1	PML3-1	FLEXIBLE LIGHT-PIPE HOLDER, BUSHING
2	1	PML3-2	FLEXIBLE LIGHT-PIPE HOLDER, BODY
3	1	3XX-XX-F	T-1 (3mm) LED FLANGED, SEE PAGE 2 & 3.

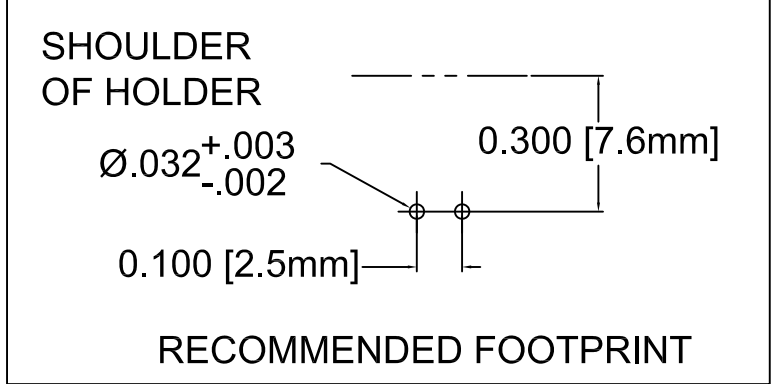
REV.	DESCRIPTION	DATE	APPROVED
B	ECO#381, ADDED SUPER AMBER	04/21/03	M. C.
C	ADDED FLPR-BC-A/G	05/15/03	M. C.
D	REPLACE PML3, LED HOLDER, WITH PML3-12	10/21/03	M. C.
E	Replace PML3, LED Holder, with PML3-12, corrected bicolor LED from 3BC-XX Series to 3BCC-XX series. Added 3SBCC-XX Series.	05/11/04	M. C.
F	Lead Length Callout (Ref. Dim.) and Spec Update	07/02/10	T. Y.
G	Replaced 3UWC-0.6K-F with 3UWC1.035C-F	04/08/13	T. Y.



BI-COLOR LED'S





SHORT LEAD CATHODE	LED PART NO.	LONG LEAD CATHODE
RED	3xBCC-F	GREEN
YELLOW	3xBCC-Y/G-F	GREEN
RED	3xBCC-R/Y-F	YELLOW
AMBER	3xBCC-A/G-F	GREEN



ABSOLUTE MAXIMUM RATINGS (Ta = 25°C)


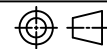
- REVERSE VOLTAGE _____ 5V
- REVERSE CURRENT (VR=5V) _____ 100µA
- OPERATING TEMPERATURE RANGE _____ -25°C ~ 85°C
- STORAGE TEMPERATURE _____ -30°C ~ 100°C
- LEAD SOLDERING TEMPERATURE (1/16" FROM BODY) _____ 260°C for 5 Seconds

STANDARD TOLERANCE (UNLESS OTHERWISE SPECIFIED)		 4 THOMAS, IRVINE, CA. 92618 TEL: (949) 951-8808 FAX: (949) 951-3974	
DECIMALS	ANGULAR		
.X ±.1	X° ± 1°		
.XX ±.02		 TITLE: FLEXIBLE LIGHT PIPE ADAPTER, RIGHT ANGLE, W/LED PART NO: FLPR-XX REVISION: G	
.XXX ±.010			
DESIGNED: David Green	DATE: 04/04/03	CAGE CODE : 32559 SHEET # 1 OF 3 <small>CAD GENERATED DOCUMENT, DO NOT MEASURE DRAWING.</small>	
CHECKED: M. Chen	DATE: 04/04/03		

REV.	DESCRIPTION	DATE	APPROVED
	SEE SHEET#1.		

LED Assy. No.	Emitted Color	Peak Wave Length λ_p (nm)	Lens Appearance	Absolute Max. Ratings			Electro-Optical Data @ 20mA			Viewing Angle $2\theta_{1/2}$ (Deg)	LED P/N
				Pd (mW)	If (mA)	Peak If (mA)	Vf (V)		Iv (mcd)		
							Typ.	Max.	Typ.		
FLPR-SG	SUPER GREEN	568	WATER CLEAR	80	30	150	2.1	2.8	50	20	3SGC-F
FLPR-SY	SUPER YELLOW	590	WATER CLEAR	85	30	150	2.0	2.8	50	20	3SYC-F
FLPR-SA	SUPER AMBER	605	WATER CLEAR	100	30	150	1.8	2.4	300	20	3SAC-F
FLPR-SR	SUPER RED	645	WATER CLEAR	70	30	150	1.7	2.4	60	20	3SRC-F



LED Assy. No.	Emitted Color	Peak Wave Length λ_p (nm)	Lens Appearance	Absolute Max. Ratings			Electro-Optical Data @ 20mA			Viewing Angle $2\theta_{1/2}$ (Deg)	LED P/N
				Pd (mW)	If (mA)	Peak If (mA)	Vf (V)		Iv (mcd)		
							Typ.	Max.	Typ.		
FLPR-UBW.6K	BLUE	470	WATER CLEAR	150	25	70	4.0	4.5	400	20	3UBWC-0.6K-F
FLPR-UT	TURQUOISE	500	WATER CLEAR	70	30	150	3.5	4.0	800	20	3UTC-F
FLPR-UG	GREEN	570	WATER CLEAR	100	30	150	2.1	2.4	200	20	3UGC-F
FLPR-SUG	GREEN	570	WATER CLEAR	100	30	150	2.1	2.4	300	20	3SUGC-F
FLPR-UY	YELLOW	590	WATER CLEAR	85	30	150	2.0	2.4	300	20	3UYC-F
FLPR-SUY	YELLOW	590	WATER CLEAR	85	30	150	2.0	2.4	400	20	3SUYC-F
FLPR-UUY	YELLOW	590	WATER CLEAR	85	30	150	2.0	2.4	600	20	3UUYC-F
FLPR-UO	ORANGE	625	WATER CLEAR	100	30	150	1.8	2.4	300	20	3UOC-F
FLPR-SUO	ORANGE	625	WATER CLEAR	100	30	150	1.8	2.4	400	20	3SUOC-F
FLPR-UR	RED	645	WATER CLEAR	60	30	150	1.7	2.4	200	20	3URC-F
FLPR-SUR	RED	640	WATER CLEAR	70	30	150	1.8	2.4	200	20	3SURC-F
FLPR-UW.6K	WHITE	-	WATER CLEAR	120	30	100	3.4	3.8	1000	35	3UWC1.035C-F

STANDARD TOLERANCE (UNLESS OTHERWISE SPECIFIED) $\pm 10\%$ ALL VALUES ANGULAR		 BIVAR [®] 4 THOMAS, IRVINE, CA. 92618 TEL: (949) 951-8808 FAX: (949) 951-3974	
			
DESIGNED: David Green	DATE: 04/04/03	PART NO: FLPR-XX	REVISION: G
CHECKED: M. Chen	DATE: 04/04/03	CAGE CODE : 32559	SHEET # 2 OF 3
CAD GENERATED DOCUMENT, DO NOT MEASURE DRAWING.			

REV.	DESCRIPTION	DATE	APPROVED
	SEE SHEET#1.		

LED Assy. No.	Emitted Color	Peak Wave Length λ_p (nm)	Lens Appearance	Absolute Max. Ratings			Electro-Optical Data @ 20mA			Viewing Angle $2\theta_{1/2}$ (Deg)	LED P/N
				Pd (mW)	If (mA)	Peak If (mA)	Vf (V)		Iv (mcd)		
							Typ.	Max.	Typ.		
FLPR-BC	HE RED	625	WATER CLEAR	80	30	150	2.0	2.8	8	40	3BCC-F
	GREEN	568		80	30	150	2.1	2.8	8		
FLPR-BC-Y/G	YELLOW	590	WATER CLEAR	80	30	150	2.0	2.8	6	40	3BCC-Y/G-F
	GREEN	568		80	30	150	2.1	2.8	8		
FLPR-BC-R/Y	HE RED	625	WATER CLEAR	80	30	150	2.0	2.8	8	40	3BCC-R/Y-F
	YELLOW	590		80	30	150	2.0	2.8	6		
FLPR-BC-A/G	AMBER	605	WATER CLEAR	80	30	150	2.0	2.8	6	40	3BCC-A/G-F
	GREEN	568		80	30	150	2.1	2.8	8		

LED Assy. No.	Emitted Color	Peak Wave Length λ_p (nm)	Lens Appearance	Absolute Max. Ratings			Electro-Optical Data @ 20mA			Viewing Angle $2\theta_{1/2}$ (Deg)	LED P/N
				Pd (mW)	If (mA)	Peak If (mA)	Vf (V)		Iv (mcd)		
							Typ.	Max.	Typ.		
FLPR-SBC	SUPER RED	645	WATER CLEAR	70	30	150	1.7	2.4	100	20	3SBCC-F
	HE GREEN	568		80	30	150	2.1	2.8	60		
FLPR-SBC-Y/G	SUPER YELLOW	585	WATER CLEAR	85	20	160	2.1	2.4	15	40	3SBCC-Y/G-F
	HE GREEN	565		80	20	160	2.1	2.8	5		
FLPR-SBC-R/Y	SUPER RED	645	WATER CLEAR	70	30	150	1.7	2.4	100	20	3SBCC-R/Y-F
	SUPER YELLOW	590		85	30	150	2.0	2.4	300		

STANDARD TOLERANCE (UNLESS OTHERWISE SPECIFIED) $\pm 10\%$ ALL VALUES ANGULAR		 BIVAR [®] 4 THOMAS, IRVINE, CA. 92618 TEL: (949) 951-8808 FAX: (949) 951-3974	
			
DESIGNED: David Green	DATE: 04/04/03	PART NO: FLPR-XX	REVISION: G
CHECKED: M. Chen	DATE: 04/04/03	CAGE CODE : 32559	SHEET # 3 OF 3
CAD GENERATED DOCUMENT, DO NOT MEASURE DRAWING.			

Mouser Electronics

Authorized Distributor

Click to View Pricing, Inventory, Delivery & Lifecycle Information:

[BIVAR:](#)

[FLPR-SBC-Y/G](#)