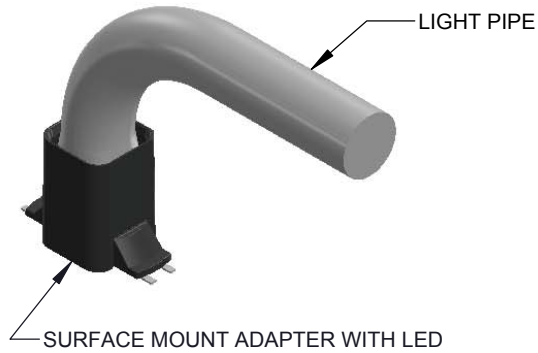


NOTES:

1. PARTS ARE SHIPPED NON-ASSEMBLED.
2. SEE SHEET 4 FOR PACKAGING PLAN.

| REVISIONS | | | |
|-----------|---------------------|-----------|----------|
| REV. | DESCRIPTION | DATE | APPROVED |
| B | Engineering Release | 7/11/2018 | G.O. |

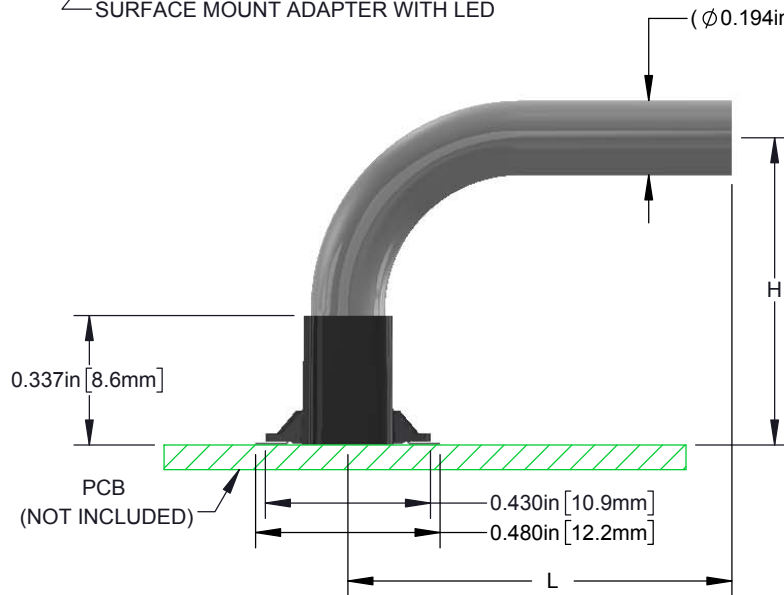


PART NUMBER CONFIGURATION,

LPR5-XXXX-XXXXX-XXX

LED COLOR] (SEE PAGE 3)

LIGHT PIPE CALL OUT] (SEE PAGE 2, TABLES A & B)



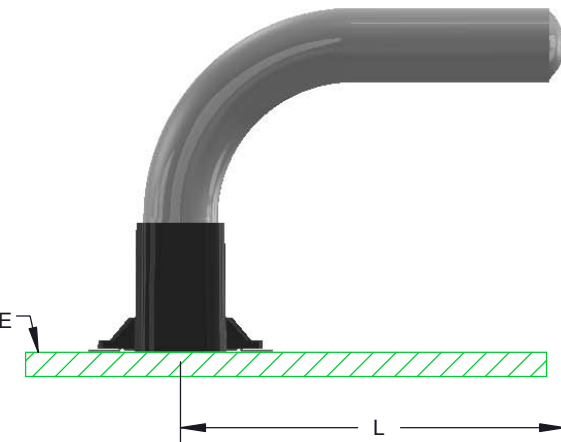
FLAT FACE LENS

DIMENSIONS ARE APPLICABLE TO BOTH LENS FACES UNLESS OTHERWISE NOTED

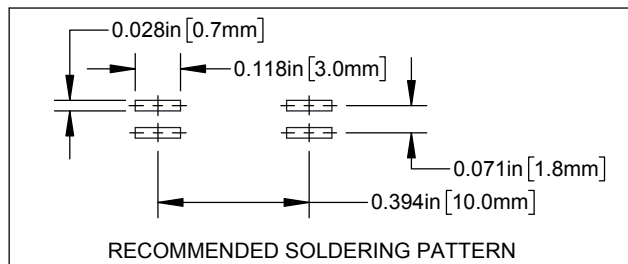


PCB SURFACE

0.236in [6.00mm]



DOME FACE LENS



| | | | | | |
|---|------------|--|----------------|---------|---------------|
| STANDARD TOLERANCE (UNLESS OTHERWISE SPECIFIED) | | 4 THOMAS, IRVINE, CA. 92618 TEL: (949) 951-8808 FAX: (949) 951-3974 | | | |
| DECIMALS | | | | ANGULAR | |
| .X | $\pm .1$ | | | X° | $\pm 1^\circ$ |
| .XX | $\pm .02$ | | | | |
| .XXX | $\pm .010$ | | | | |
| DESIGNED: | DATE: | TITLE: BIVAR LIGHT PIPE SYSTEM, SAT RIGHT ANGLE, 5MM, SINGLE STATION | | | |
| K. BARON | 07/11/18 | PART NO: | REVISION: | | |
| | | LPR5-XXXX-XXXXX-XXX | B | | |
| REVISED: | DATE: | CAGE CODE: | | | |
| N/A | N/A | 32559 | | | |
| CHECKED: | DATE: | SCALE: | SHEET # 1 OF 5 | | |
| TD. NGUYEN | 07/11/18 | 2:1 | | | |

CAD GENERATED DOCUMENT, DO NOT MEASURE DRAWING

| REVISIONS | | | |
|-----------|-------------|------|----------|
| REV. | DESCRIPTION | DATE | APPROVED |
| | See Sheet 1 | | |

STANDARD ORDERING INFORMATION

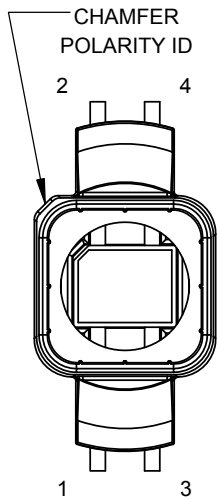
| TABLE A - FLAT FACE LENS | | |
|--------------------------|----------------|----------------|
| PART NO. | H ±.01 | L ±.01 |
| LPR5-0800-0700F-XXX | 0.800 [20.3mm] | 0.700 [17.8mm] |
| LPR5-0800-1000F-XXX | | 1.000 [25.4mm] |
| LPR5-0800-1500F-XXX | | 1.500 [38.1mm] |
| LPR5-0800-2000F-XXX | | 2.000 [50.8mm] |
| LPR5-0800-2500F-XXX | | 2.500 [63.5mm] |
| LPR5-0800-3000F-XXX | | 3.000 [76.2mm] |
| LPR5-1000-0700F-XXX | 1.000 [25.4mm] | 0.700 [17.8mm] |
| LPR5-1000-1000F-XXX | | 1.000 [25.4mm] |
| LPR5-1000-1500F-XXX | | 1.500 [38.1mm] |
| LPR5-1000-2000F-XXX | | 2.000 [50.8mm] |
| LPR5-1000-2500F-XXX | | 2.500 [63.5mm] |
| LPR5-1000-3000F-XXX | | 3.000 [76.2mm] |
| LPR5-1250-0700F-XXX | 1.250 [31.8mm] | 0.700 [17.8mm] |
| LPR5-1250-1000F-XXX | | 1.000 [25.4mm] |
| LPR5-1250-1500F-XXX | | 1.500 [38.1mm] |
| LPR5-1250-2000F-XXX | | 2.000 [50.8mm] |
| LPR5-1250-2500F-XXX | | 2.500 [63.5mm] |
| LPR5-1250-3000F-XXX | | 3.000 [76.2mm] |

| TABLE B - DOME FACE LENS | | |
|--------------------------|----------------|----------------|
| PART NO. | H ±.01 | L ±.01 |
| LPR5-0800-0700D-XXX | 0.800 [20.3mm] | 0.700 [17.8mm] |
| LPR5-0800-1000D-XXX | | 1.000 [25.4mm] |
| LPR5-0800-1500D-XXX | | 1.500 [38.1mm] |
| LPR5-0800-2000D-XXX | | 2.000 [50.8mm] |
| LPR5-0800-2500D-XXX | | 2.500 [63.5mm] |
| LPR5-0800-3000D-XXX | | 3.000 [76.2mm] |
| LPR5-1000-0700D-XXX | 1.000 [25.4mm] | 0.700 [17.8mm] |
| LPR5-1000-1000D-XXX | | 1.000 [25.4mm] |
| LPR5-1000-1500D-XXX | | 1.500 [38.1mm] |
| LPR5-1000-2000D-XXX | | 2.000 [50.8mm] |
| LPR5-1000-2500D-XXX | | 2.500 [63.5mm] |
| LPR5-1000-3000D-XXX | | 3.000 [76.2mm] |
| LPR5-1250-0700D-XXX | 1.250 [31.8mm] | 0.700 [17.8mm] |
| LPR5-1250-1000D-XXX | | 1.000 [25.4mm] |
| LPR5-1250-1500D-XXX | | 1.500 [38.1mm] |
| LPR5-1250-2000D-XXX | | 2.000 [50.8mm] |
| LPR5-1250-2500D-XXX | | 2.500 [63.5mm] |
| LPR5-1250-3000D-XXX | | 3.000 [76.2mm] |

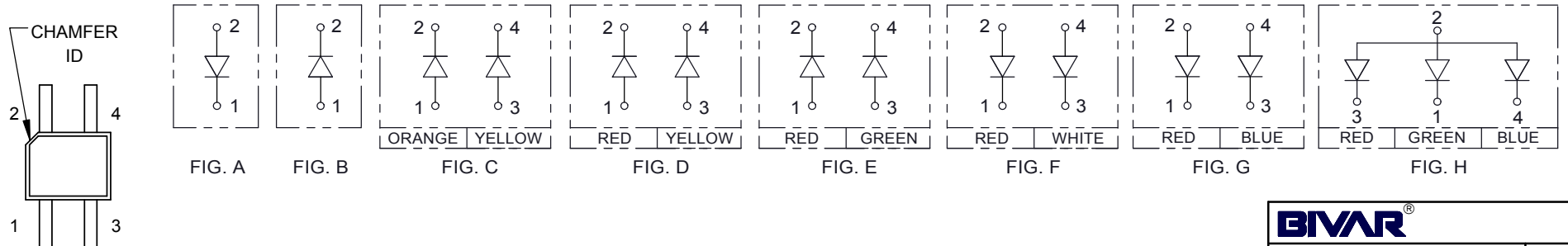


| | | |
|--|----------------|----------------|
| PART NO: LPR5-XXXX-XXXXX-XXX | | REVISION: B |
| SCALE: NONE | SHEET # 2 OF 5 | |
| CAD GENERATED DOCUMENT, DO NOT MEASURE DRAWING | | |

| Order Code XXX | Emitted Color | Peak Wave L. | Electro-Optical Data @20mA, 25°C | | | | Polarity Diagram |
|-------------------|------------------|------------------------|----------------------------------|-----|-----|-------------|---------------------|
| | | λ_p [nm] | V_f [V] | | | I_v [mcd] | |
| | | Chroma TYP | MIN | TYP | MAX | TYP | |
| | | | | | | | |
| R130 | Red | 640 | 1.7 | 2.0 | 2.5 | 130 | FIGURE B |
| R480 | Red | 630 | 1.7 | 2.0 | 2.5 | 480 | |
| A220 | Amber | 610 | 1.7 | 2.0 | 2.5 | 220 | |
| O170 | Orange | 590 | 1.7 | 2.0 | 2.5 | 170 | |
| Y50 | Yellow | 570 | 1.7 | 2.0 | 2.5 | 50 | |
| G850 | Green | 520 | 2.8 | 3.2 | 3.7 | 850 | |
| B150 | Blue | 465 | 2.8 | 3.2 | 3.7 | 150 | |
| W305 | White | X = 0.308 Y = 0.305 | 2.8 | 3.0 | 3.7 | 1750 | |
| OY | Orange | 590 | 1.7 | 2.0 | 2.5 | 190 | FIGURE C |
| | Yellow | 572 | 1.7 | 2.0 | 2.5 | 60 | |
| RY | Red | 640 | 1.7 | 2.0 | 2.5 | 110 | FIGURE D |
| | Yellow | 572 | 1.7 | 2.0 | 2.5 | 55 | |
| RG | Red | 640 | 1.7 | 2.0 | 2.5 | 200 | FIGURE E |
| | Green | 520 | 2.8 | 3.2 | 3.7 | 810 | |
| RW | Red | 630 | 1.7 | 2.0 | 2.5 | 130 | FIGURE F |
| | White | X = 0.28 Y = 0.29 | 2.8 | 3.2 | 3.7 | 520 | |
| RB | Red | 650 | 1.7 | 2.0 | 2.5 | 80 | FIGURE G |
| | Blue | 465 | 2.8 | 3.2 | 3.7 | 150 | |
| RGB | Red | 643 | 1.7 | 2.0 | 2.5 | 95 | FIGURE H |
| | Green | 515 | 2.8 | 3.3 | 3.7 | 730 | |
| | Blue | 460 | 2.8 | 3.3 | 3.7 | 120 | |



Note: 10% Duty Cycle, Pulse Width \leq 0.1msec for Peak If.



PACKAGING PLAN

PARTS ARE SHIPPED IN QUANTITY OF 400 AS IN THE FOLLOWING:

1. ONE BAG CONTAINING FOUR LIGHT PIPE PACKAGES, 100 EACH, AND ONE LEVEL 4 MOISTURE SEALED TRAY WITH 400 SURFACE MOUNT ADAPTERS.
2. BAG SIZE IS APPROXIMATELY 16 X 18 INCHES (406.4 X 457.2 mm).
3. TRAY SIZE IS APPROXIMATELY 10 X 14 X 0.6 INCHES (254 X 355.6 X 15.2 mm), INCLUDING TOP COVER AND BOTTOM TRAY. ADAPTERS ARE ARRANGED AS SHOWN IN FIGURE 1.

10 ADAPTERS IN EACH POCKET

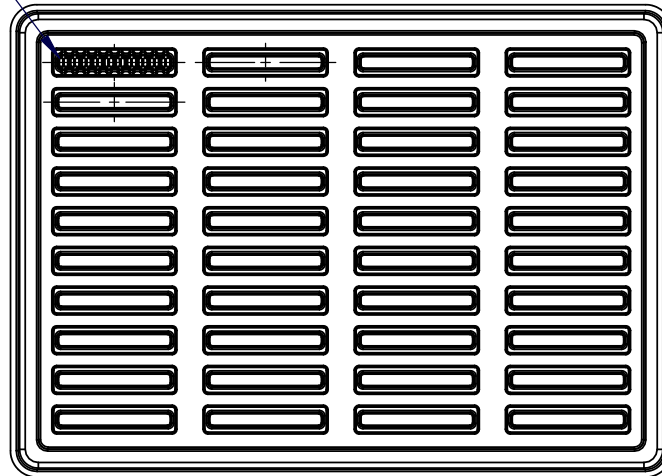


FIGURE 1
BOTTOM TRAY
4 X 10 POCKETS

| | | |
|--|----------------|-----------|
| BIVAR [®] | | REVISION: |
| PART NO: LPR5-XXXX-XXXXX-XXX | | B |
| SCALE: NONE | SHEET # 4 OF 5 | |
| CAD GENERATED DOCUMENT, DO NOT MEASURE DRAWING | | |

RECOMMENDED REFLOW SOLDERING PROFILE



NOTE:

1. DO NOT CLEAN AFTER SOLDERING. ONLY USE NO-CLEAN SOLDER PASTE.

| | | |
|--|----------------|-----------|
| BIVAR [®] | | REVISION: |
| PART NO: LPR5-XXXX-XXXXX-XXX | | B |
| SCALE: NONE | SHEET # 5 OF 5 | |
| CAD GENERATED DOCUMENT, DO NOT MEASURE DRAWING | | |

Mouser Electronics

Authorized Distributor

Click to View Pricing, Inventory, Delivery & Lifecycle Information:

BIVAR:

[LPR5-0800-0700D-RG](#) [LPR5-0800-0700D-Y50](#) [LPR5-0800-0700F-RG](#) [LPR5-0800-0700F-RW](#) [LPR5-0800-1000D-W305](#) [LPR5-0800-1000F-R130](#) [LPR5-0800-1000F-RB](#) [LPR5-0800-1500D-RB](#) [LPR5-0800-1500D-RGB](#) [LPR5-0800-1500F-RY](#) [LPR5-0800-1500F-Y50](#) [LPR5-0800-2000D-OY](#) [LPR5-0800-2000D-R480](#) [LPR5-0800-2000F-B150](#) [LPR5-0800-2500D-RW](#) [LPR5-0800-3000F-OY](#) [LPR5-0800-0700F-A220](#) [LPR5-0800-0700F-RB](#) [LPR5-0800-1500D-B150](#) [LPR5-0800-2000D-R130](#) [LPR5-0800-2000F-RB](#) [LPR5-0800-2500F-Y50](#) [LPR5-0800-3000D-RG](#) [LPR5-0800-3000D-RW](#) [LPR5-0800-3000F-B150](#) [LPR5-1000-0700D-W305](#) [LPR5-0800-0700F-R130](#) [LPR5-0800-1000D-RG](#) [LPR5-0800-1000F-RY](#) [LPR5-0800-1500F-B150](#) [LPR5-0800-2000D-G850](#) [LPR5-0800-2000F-O170](#) [LPR5-0800-2000F-OY](#) [LPR5-0800-2000F-R130](#) [LPR5-0800-2000F-R480](#) [LPR5-0800-2500D-R130](#) [LPR5-0800-2500D-R480](#) [LPR5-0800-2500D-RG](#) [LPR5-0800-2500D-RGB](#) [LPR5-0800-2500F-RG](#) [LPR5-0800-2500F-RGB](#) [LPR5-0800-3000D-Y50](#) [LPR5-0800-3000F-A220](#) [LPR5-1000-0700D-A220](#) [LPR5-0800-0700D-RB](#) [LPR5-0800-0700F-G850](#) [LPR5-0800-1000D-RY](#) [LPR5-0800-1000F-Y50](#) [LPR5-1000-2000F-B150](#) [LPR5-0800-1500D-RG](#) [LPR5-0800-1500F-R130](#) [LPR5-0800-2000F-RGB](#) [LPR5-0800-2500D-OY](#) [LPR5-0800-2500D-Y50](#) [LPR5-0800-2500F-OY](#) [LPR5-0800-3000D-B150](#) [LPR5-0800-3000F-O170](#) [LPR5-1000-1000D-G850](#) [LPR5-1000-1000D-RGB](#) [LPR5-1000-1000F-Y50](#) [LPR5-1000-1500D-B150](#) [LPR5-1000-1500F-O170](#) [LPR5-1000-1500F-W305](#) [LPR5-1000-2000D-O170](#) [LPR5-1000-2000D-RB](#) [LPR5-1000-2000D-W305](#) [LPR5-1000-2000F-A220](#) [LPR5-1000-2500D-G850](#) [LPR5-1000-2500D-RY](#) [LPR5-1000-2500F-RY](#) [LPR5-0800-0700D-A220](#) [LPR5-0800-0700D-G850](#) [LPR5-0800-0700D-OY](#) [LPR5-0800-0700F-O170](#) [LPR5-0800-0700F-OY](#) [LPR5-0800-0700F-R480](#) [LPR5-0800-1000D-RB](#) [LPR5-0800-1000D-RGB](#) [LPR5-0800-1000F-RGB](#) [LPR5-0800-1000F-RW](#) [LPR5-0800-1000F-W305](#) [LPR5-1000-0700D-RG](#) [LPR5-1000-0700D-RY](#) [LPR5-1000-1000F-A220](#) [LPR5-0800-3000F-G850](#) [LPR5-0800-3000F-RGB](#) [LPR5-0800-3000F-Y50](#) [LPR5-1000-0700D-R480](#) [LPR5-1000-0700D-Y50](#) [LPR5-1000-1000F-G850](#) [LPR5-1000-1500D-OY](#) [LPR5-1000-1500F-R130](#) [LPR5-1000-1500F-R480](#) [LPR5-1000-1500F-RB](#) [LPR5-1000-2000D-RG](#) [LPR5-1000-2000F-Y50](#) [LPR5-1000-2500F-A220](#) [LPR5-1000-2500F-G850](#) [LPR5-1000-3000D-O170](#) [LPR5-1000-3000D-OY](#)