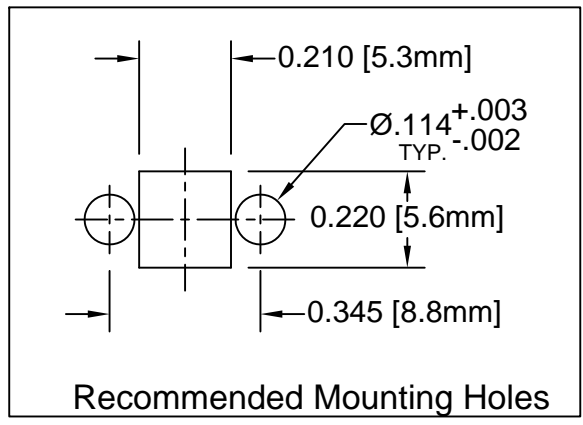
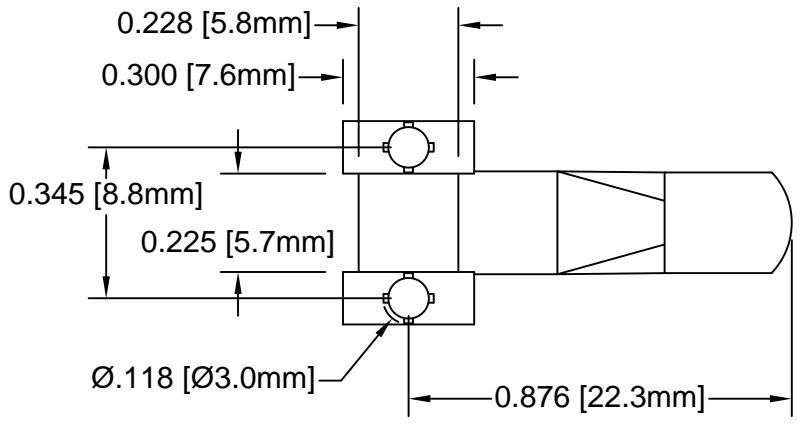
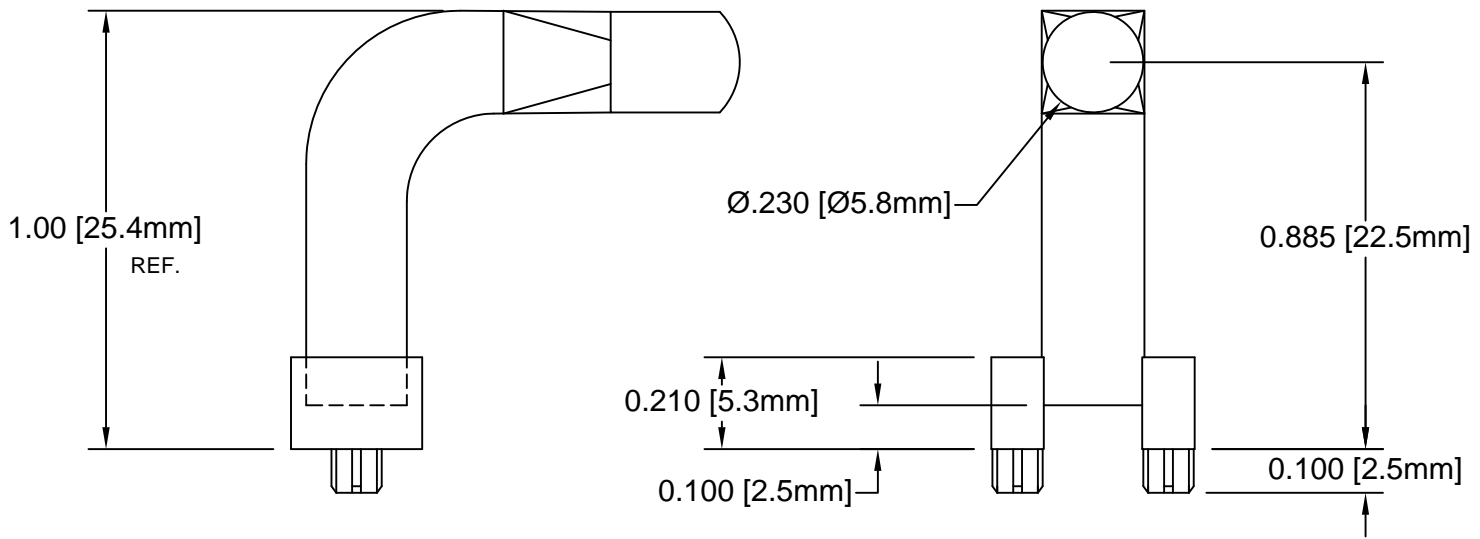

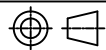


| REV. | DESCRIPTION | DATE | APPROVED |
|------|--------------------------------|----------|----------|
| C | Engineering Update w/o Changes | 03/08/04 | M. C. |
| D | Added Color Options, Sheet #2. | 02/02/16 | J. C. |
| | | | |
| | | | |



2. MATERIAL: POLYCARBONATE 94V-0 CLEAR.
 1. GENERAL SPECIFICATIONS: BIVAR MOLDED COMPONENT SPECIFICATION BV00-E101.

| | | | |
|--|--------------------------|---|-----------------------|
| STANDARD TOLERANCE (UNLESS OTHERWISE SPECIFIED) | |  4 THOMAS, IRVINE, CA. 92618 TEL: (949) 951-8808 FAX: (949) 951-3974 | |
| DECIMALS | ANGULAR | | |
| .X ± .1 | X° ± 1° |  TITLE: LIGHT PIPE, 90° SURFACE MOUNT | |
| .XX ± .01 | | | |
| .XXX ± .005 | | | |
| DESIGNED: Shane Irving | DATE: 06/12/00 | PART NO: LP5-1000 | REVISION: D |
| CHECKED: M. Chen | DATE: 07/23/01 | CAGE CODE : 32559 | SHEET # 1 OF 2 |
| CAD GENERATED DOCUMENT. DO NOT MEASURE DRAWING. | | | |

OTHER AVAILABLE COLORS

* SEE TABLE FOR ORDERING INFORMATION

| REV. | DESCRIPTION | DATE | APPROVED |
|------|--------------|------|----------|
| | SEE SHEET #1 | | |
| | | | |
| | | | |
| | | | |


LP5-1000

RIGID LIGHT PIPE SERIES

| COLOR | Order Code |
|--------|------------|
| BLUE | BE |
| BLACK | BK |
| GREEN | GN |
| GRAY | GY |
| RED | RD |
| YELLOW | YW |

NOTE: LEAVE ORDER CODE BLANK IF NO COLOR IS DESIRED.

3. PARTS ARE DYED TO COLOR UPON REQUEST.

| | | | |
|--|--------------------------|--|-----------------------|
| STANDARD TOLERANCE (UNLESS OTHERWISE SPECIFIED) <u>DECIMALS</u> <u>ANGULAR</u> | | BIVAR [®] 4 THOMAS, IRVINE, CA. 92618 TEL: (949) 951-8808 FAX: (949) 951-3974 | |
| | |  TITLE: LIGHT PIPE, 90° SURFACE MOUNT | |
| DESIGNED: K. Aukshunas | DATE: 01/22/16 | PART NO: LP5-1000 | REVISION: D |
| CHECKED: J. Chiang | DATE: 01/22/16 | CAGE CODE : 32559 | SHEET # 2 OF 2 |
| CAD GENERATED DOCUMENT. DO NOT MEASURE DRAWING. | | | |

Mouser Electronics

Authorized Distributor

Click to View Pricing, Inventory, Delivery & Lifecycle Information:

[BIVAR:](#)

[LP5-1000](#)