

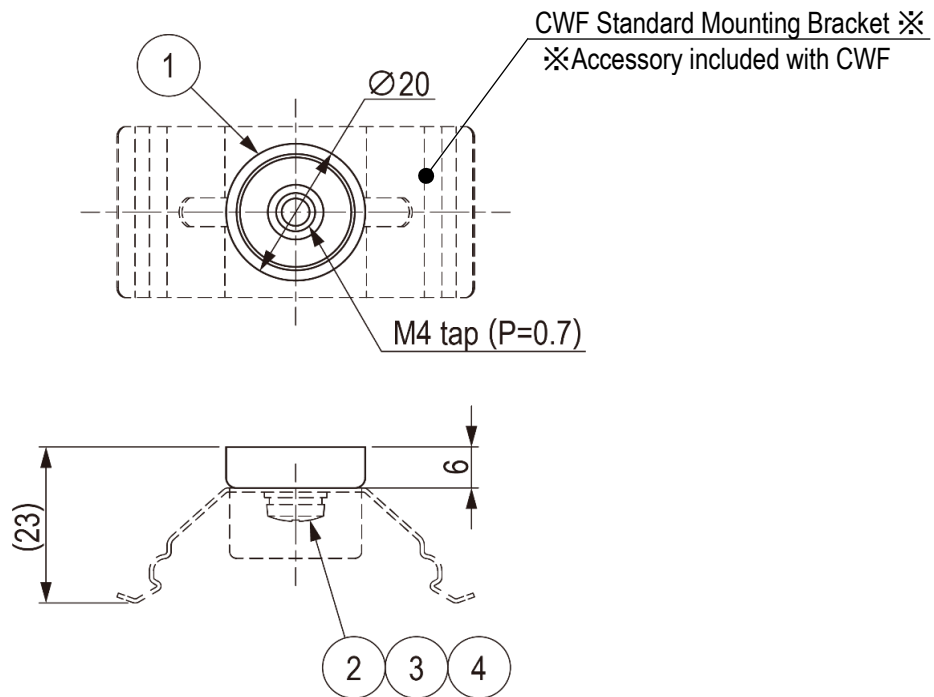
|                         |  |  |
|-------------------------|--|--|
| <h1>SPECIFICATIONS</h1> |  |  |
|                         |  |  |
|                         |  |  |

[General Specifications]

|                              |  |
|------------------------------|--|
| Product Name                 | Magnetic Mounting Bracket  |
| Model                        | CWF-002  |
| Compatible Models            | Type CWF (LED Work Light)  |
| Mounting Location            | Indoor   |
| Mounting Direction           | All Directions   |
| Mass (Tolerance $\pm 10\%$ ) | 11 g (1 pcs.)  |
| Outer Dimensions             | Refer to the Outer Dimension Drawing   |
| Quantity                     | 1 pair   |
| Remarks                      | There are no contents of controlled substances exceeding the threshold for the RoHS Directive. |

[Outer Dimension Drawing]

[ Unit : mm ]



| Number | Name                              | Material etc |
|--------|-----------------------------------|--------------|
| 1      | Magnet                            | Neodymium    |
| 2      | Cross Recessed Binding Head Screw | MFNi , M4x8  |
| 3      | Spring Washer                     | MFZn , M4    |
| 4      | Plain Washer                      | MFZn , M4    |