

Test Probe

GKS-135 307 150 A 2000

Item GKS-135-0043

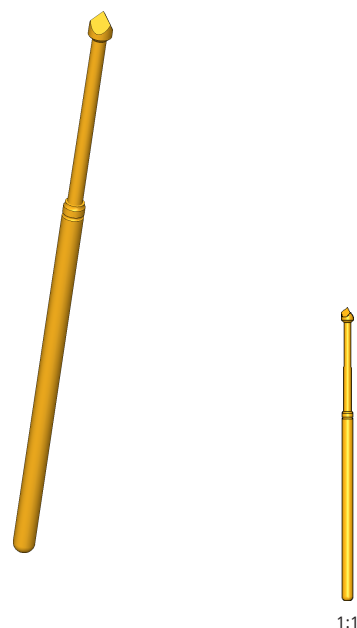


ingun®

Partner for Future Technology

- Long-stroke test probe for implementing combined ICT and FCT in a dual-stage fixture
- For optimum contact at the test points (e.g. pads, vias, and pins), various tip styles in different diameters and finishes, as well as various spring forces are available. spring forces.
- Used for setting the optimum stroke conditions in the test fixture, various installation heights can be achieved by combining test probes and receptacles

INGUN SELECTION



Test Probe

GKS-135 307 150 A 2000

Item GKS-135-0043



GO TO PRODUCT

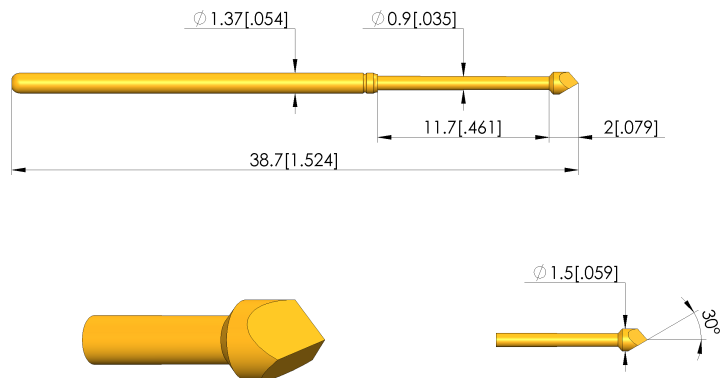
ingun[®]

Partner for Future Technology

General data

Product group	ICT / FCT (in-circuit test and function test)
Sub-product group	Long stroke GKS
Series	GKS-135
Grid	2.54 mm [100 mil]
Contacting from	Pad, via
Magnetic	Yes
Installation type	Plug-in
Quick-exchange system	Yes
Adjustable installation height	No
Non-rotating	No
Compatible receptacle(s)	KS-100
Min. temperature	- 40 °C [- 104 °F]
Max. temperature	+ 80 °C [+ 176 °F]
RoHS-compliant	Yes

INGUN SELECTION

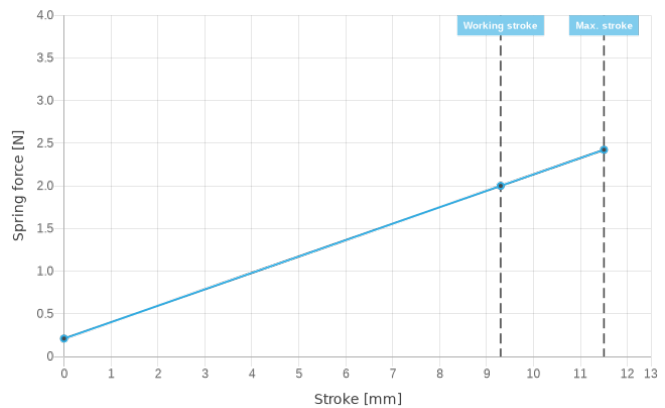


Electrical data

Current load capacity / rated current	8 A
Typical resistance (Ri)	<30 mOhm

Mechanical data

Total length	38.7 mm [1.52 in]
Barrel diameter	1.37 mm [.053 in]
Maximum stroke	11.5 mm [.452 in]
Spring pre-load	0.33 N [1.18 ozf]
Collar height	00
Spring force at working stroke	2 N [7.19 ozf]
Recommended working stroke	9.3 mm [.366 in]



Tip style data

Tip style	07 90° 3-edged chisel, self-cleaning
Tip diameter	1.5 mm [.059 in]
Tip style surface	A gold
Tip style material	3 CuBe

INGUN Prüfmittelbau GmbH

Max-Stromeyer-Straße 162
78467, Constance, Germany
Phone +49 7531 8105-0
Customer hotline +49 7531 8105-888
Fax +49 7531 8105-65
info@ingun.com



Prices and delivery times on request.
Technical changes reserved. 11/22 EN

Weitere Informationen zum Thema
ICT/FCT Test probes

