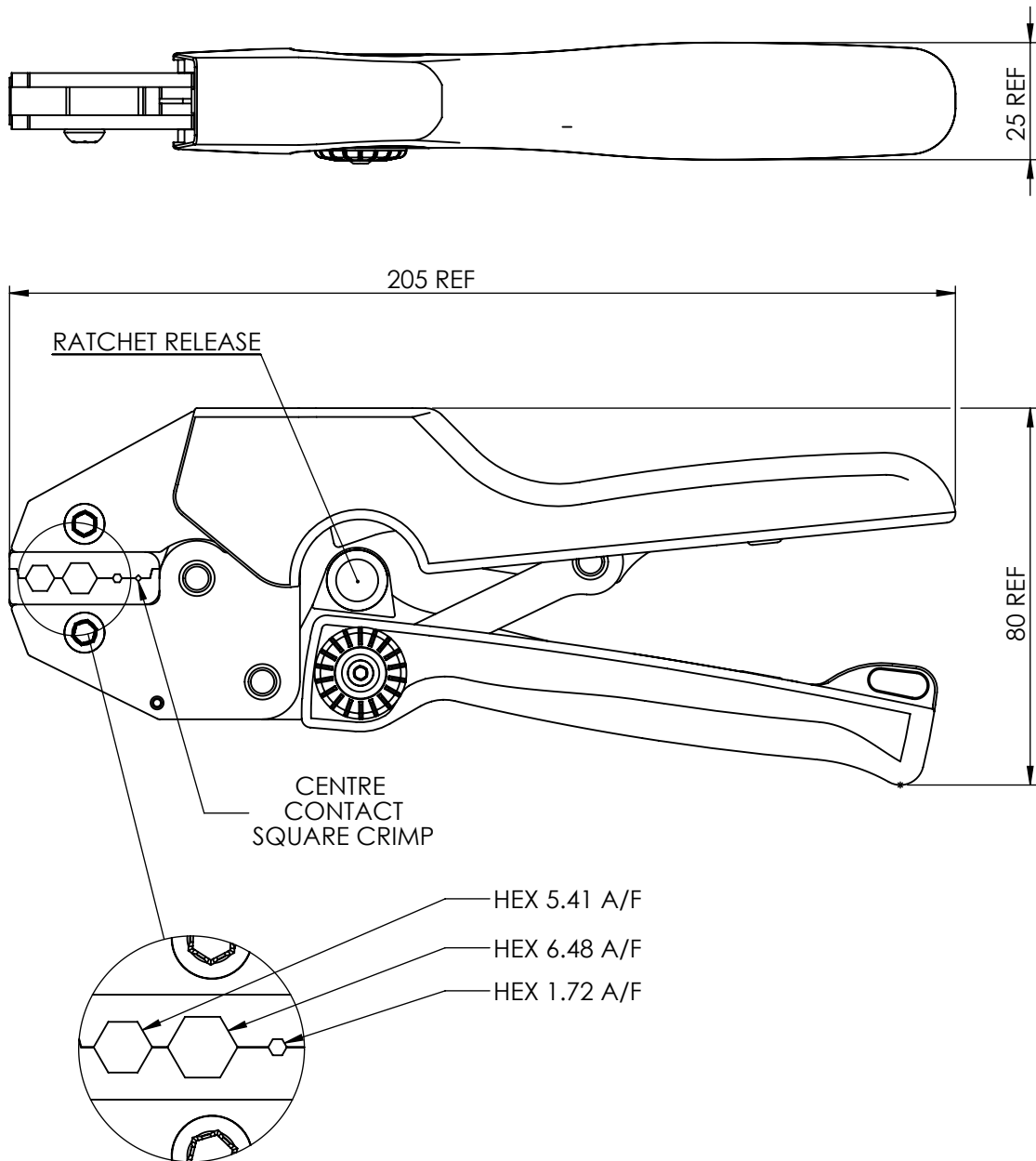


PRODUCT DATASHEET

CRIMP TOOL: 96-HTS-76



DRAWING NOT TO SCALE



© 2011. THIS DOCUMENT IS THE PROPERTY OF FUSION COMPONENTS LTD. REPRODUCTION OR COMMUNICATION IN ANY FORM TO A THIRD PARTY IS PROHIBITED WITHOUT PRIOR WRITTEN CONSENT

A4	SHEET 1 OF 1		DIMENSIONS ARE IN MILLIMETERS		
REVISION :	A00		NAME	SIGNATURE	DATE
ISSUE :	1	DRAWN	GE		27/08/2013
		CHK'D	IG		27/08/2013
		APP'V'D			
6-8 COLNE ROAD, TWICKENHAM, MIDDLESEX. TW1 4JR		<small>THE INFORMATION IS GIVEN AS AN INDICATION ONLY AND IS SUBJECT TO CHANGE WITHOUT NOTICE. IN THE CONTINUAL GOAL TO IMPROVE OUR PRODUCTS, WE RESERVE THE RIGHT TO MAKE ANY MODIFICATIONS NECESSARY WITHOUT PRIOR NOTICE.</small>			

Model File: S:\CAD SYSTEM\Engineering Data\CAD Data\Solid Models\Z - Match IT SERIES\TOP LEVEL\96-HTS-76