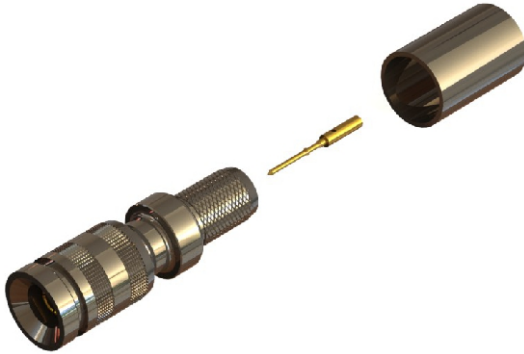
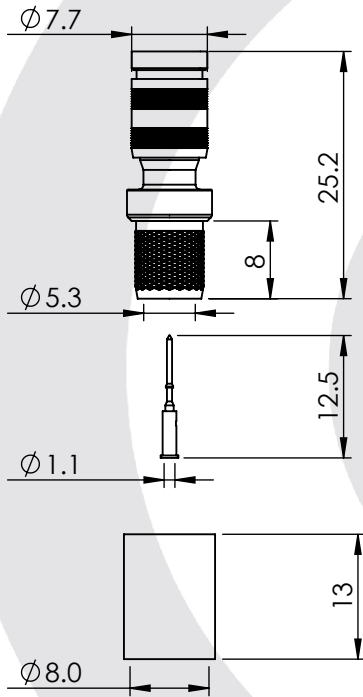


## 1.0/2.3 STRAIGHT CRIMP/CRIMP PLUG 52-005-B6-FC



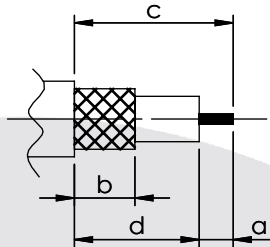
images for illustration purposes only



### Suitable for Cables:

(FC) Belden 1694A, Belden 1694F, Draka 1.0/4.8 A/F, Bryant BD SD11, Image 1000, Condufil 13653, Percon VK7, VK77

### Stripping Dimensions



a = 4.0 mm  
\* b = 8.0 mm  
c = 16.0 mm  
d = 12.0 mm

\* STRIP FOIL  
SCREEN TO  
DIM "b"

### Assembly Procedure: AP026

### Tooling

Centre Contact: SQ 1.07mm A/F Tool No: 96-HTS-77

Crimp Sleeve: Hex 8.23mm A/F Tool No: 96-HTS-77

Alignment Tool: 100-1023 Extraction: 96-1023

### Environmental Specification

Operating Temp: -55 to +155 Deg C.

IP Rating (Mated): IP40

### Electrical Specification Mechanical Specification

Impedance: 75 Ohm

Frequency: 0-3 GHz

Dielectric W/V: 750 Veff

Insulation res: 5000 M-Ohm

Contact Retention: 10 N min

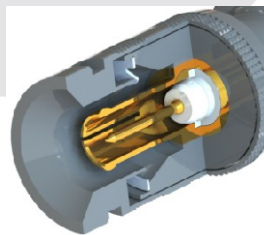
Cable Retention: 220 N min

Mating cycles: 500

Weight: 6.83 g

### Connector Interface

image for illustration purposes only



ITEM	DESCRIPTION	MATERIAL	PLATING
8	REAR BODY	BRASS	NICKEL
7	OUTER CONTACT	BERYLLIUM COPPER	GOLD
6	CENTRE CONTACT	PHOSPHOR BRONZE	GOLD
5	SPRING	STAINLESS STEEL	NICKEL
4	CRIMP SLEEVE	BRASS	NICKEL
3	BODY	BRASS	NICKEL
2	INSULATOR	PTFE	N/A
1	COUPLING NUT	BRASS	NICKEL

<b>A4</b>	SHEET 1 OF 1		DIMENSIONS ARE IN MILLIMETRES		
REVISION :	C00		NAME	SIGNATURE	DATE
DRAWN	GE				03/12/2012
ISSUE :	1		CHK'D	IG	03/12/2012
<b>6-8 COLNE ROAD, TWICKENHAM, MIDDLESEX. TW1 4JR</b>		APPV'D			
<small>THE INFORMATION IS GIVEN AS AN INDICATION ONLY AND IS SUBJECT TO CHANGE WITHOUT NOTICE. IN THE CONTINUAL GOAL TO IMPROVE OUR PRODUCTS, WE RESERVE THE RIGHT TO MAKE ANY MODIFICATIONS NECESSARY WITHOUT PRIOR NOTICE.</small>					