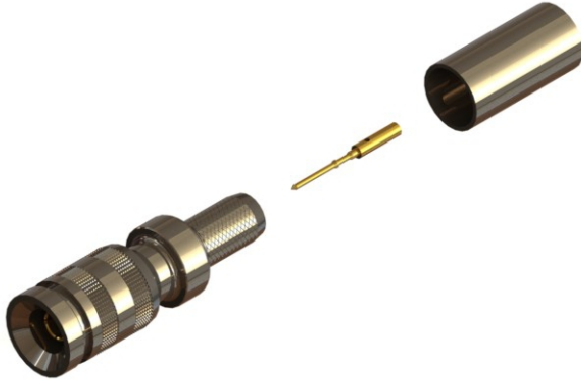
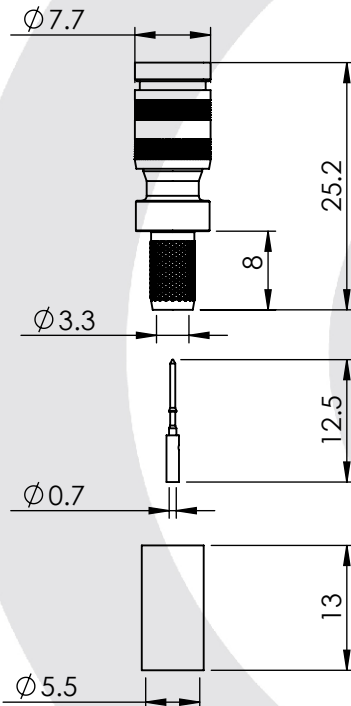


1.0/2.3 STRAIGHT CRIMP/CRIMP PLUG

52-005-B6-FA



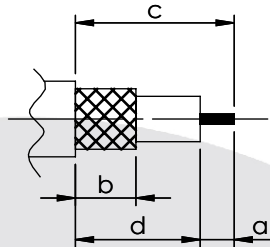
images for illustration purposes only



Suitable for Cables:

(FA) Belden 1855ENH, Draka 0.6/2.8AF, Bryant BD SD01, Image 360, Percon VK5, Condufil 9890

Stripping Dimensions



a = 4.0 mm
 * b = 8.0 mm
 c = 16.0 mm
 d = 12.0 mm

* STRIP FOIL SCREEN TO DIM "b"

Assembly Procedure: AP026

Tooling

Centre Contact: SQ 0.95mm A/F Tool No: 96-HTS-75
 Crimp Sleeve: Hex 5.41mm A/F Tool No: 96-HTS-75
 Alignment Tool: 100-1023 Extraction: 96-1023

Environmental Specification

Operating Temp: -55 to +155 Deg C.
 IP Rating (Mated): IP 40

Electrical Specification

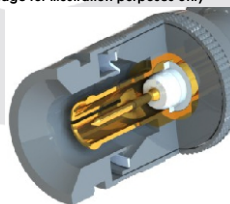
Impedance: 75 Ohm
 Frequency: 0-4.5 GHz
 Dielectric W/V: 750 Veff
 Insulation res: 5000 M-Ohm

Mechanical Specification

Contact Retention: 10 N min
 Cable Retention: 100 N min
 Mating cycles: 500
 Weight: 5.03 g

Connector Interface

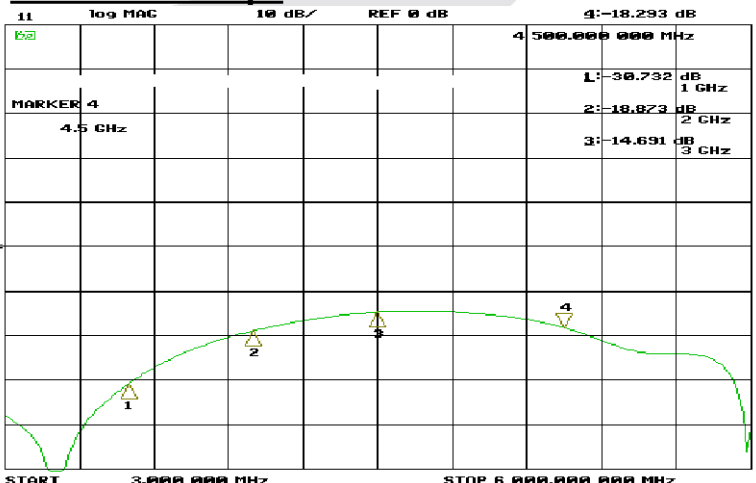
image for illustration purposes only



Performance

-30.7 dB @ 1.0 GHz
 -18.9 dB @ 2.0 GHz
 -14.7 dB @ 3.0 GHz
 -18.3 dB @ 4.5 GHz

Return Loss Graph



ITEM	DESCRIPTION	MATERIAL	PLATING
8	REAR BODY	BRASS	NICKEL
7	OUTER CONTACT	BERYLLIUM COPPER	GOLD
6	CENTRE CONTACT	PHOSPHOR BRONZE	GOLD
5	SPRING	STAINLESS STEEL	NICKEL
4	CRIMP SLEEVE	BRASS	NICKEL
3	BODY	BRASS	NICKEL
2	INSULATOR	PTFE	N/A
1	COUPLING NUT	BRASS	NICKEL

ITEM	DESCRIPTION	MATERIAL	PLATING
A4	SHEET 1 OF 1		
REVISION :	C00		
ISSUE :	2		
6-8 COLNE ROAD, TWICKENHAM, MIDDLESEX, TW1 4JR			

DIMENSIONS ARE IN MILLIMETRES		
NAME	SIGNATURE	DATE
DRAWN	GE	18/07/2011
CHK'D	IG	19/07/2011
APPV'D		

THE INFORMATION IS GIVEN AS AN INDICATION ONLY AND IS SUBJECT TO CHANGE WITHOUT NOTICE. IN THE CONTINUAL GOAL TO IMPROVE OUR PRODUCTS, WE RESERVE THE RIGHT TO MAKE ANY MODIFICATIONS NECESSARY WITHOUT PRIOR NOTICE.